



Chipsmall Limited consists of a professional team with an average of over 10 year of expertise in the distribution of electronic components. Based in Hongkong, we have already established firm and mutual-benefit business relationships with customers from,Europe,America and south Asia,supplying obsolete and hard-to-find components to meet their specific needs.

With the principle of "Quality Parts,Customers Priority,Honest Operation,and Considerate Service",our business mainly focus on the distribution of electronic components. Line cards we deal with include Microchip,ALPS,ROHM,Xilinx,Pulse,ON,Everlight and Freescale. Main products comprise IC,Modules,Potentiometer,IC Socket,Relay,Connector.Our parts cover such applications as commercial,industrial, and automotives areas.

We are looking forward to setting up business relationship with you and hope to provide you with the best service and solution. Let us make a better world for our industry!



Contact us

Tel: +86-755-8981 8866 Fax: +86-755-8427 6832

Email & Skype: info@chipsmall.com Web: www.chipsmall.com

Address: A1208, Overseas Decoration Building, #122 Zhenhua RD., Futian, Shenzhen, China



F

E

D

C

B

A

F

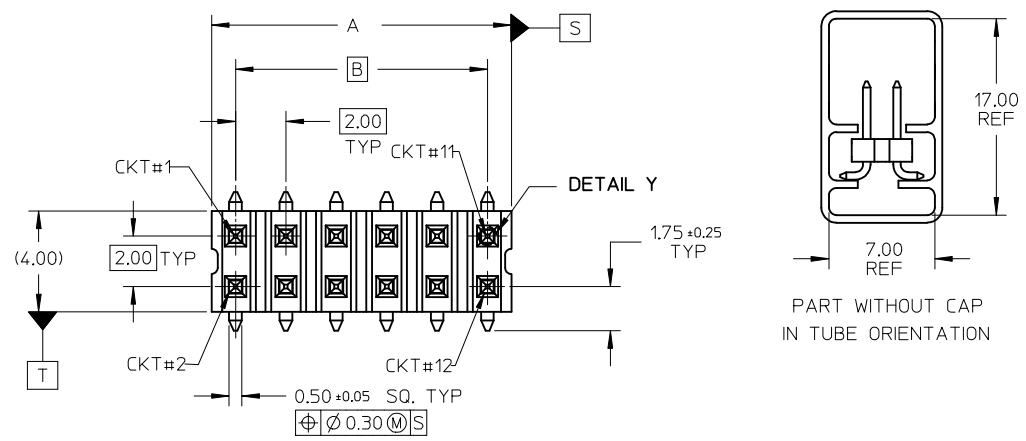
E

D

C

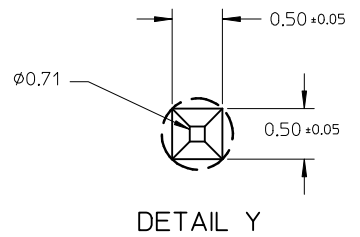
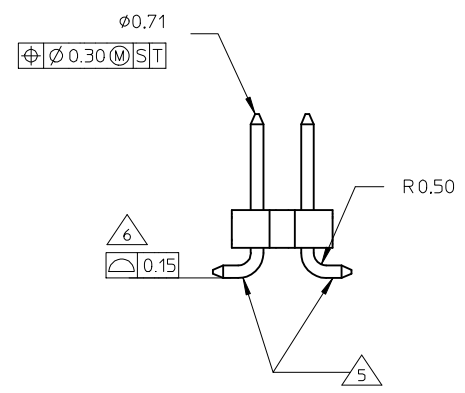
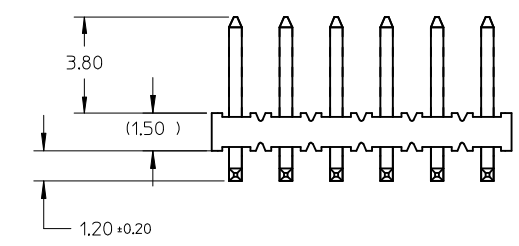
B

A

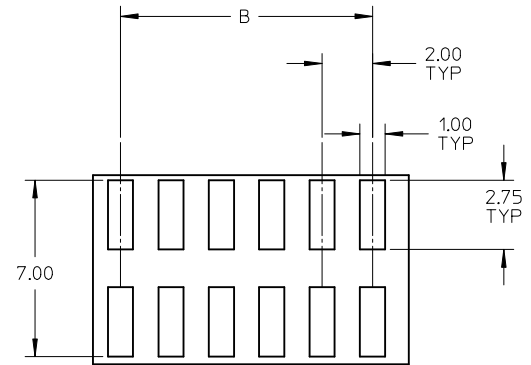
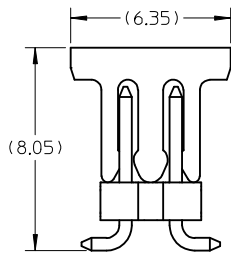
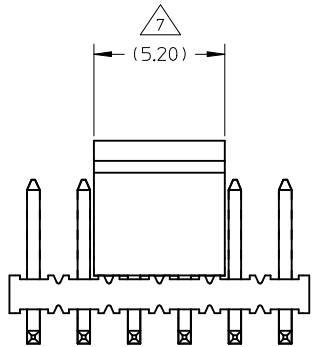


NOTE:

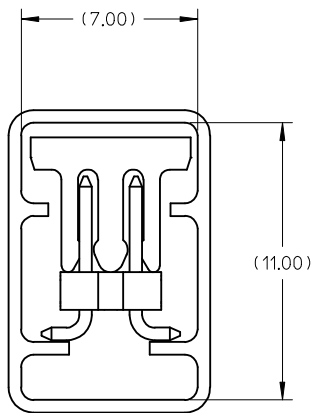
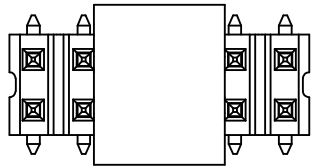
1. MATERIAL:
HSG & CAP - NYLON, GLASS FILLED
UL 94V-0, COLOUR BLACK
- PIN - 0.50 SQ PHOSPHOR BRONZE
2. PLATING OPTION:
(1) 0.38um MIN GOLD PLATE AT CONTACT AREA,
TIN PLATE AT SOLDER AREA,
BOTH OVER NICKEL UNDERPLATE
(2) 0.05 - 0.25um GOLD PLATE AT CONTACT AREA,
TIN PLATE AT SOLDER AREA,
BOTH OVER NICKEL UNDERPLATE
3. PIN PUSHOUT FORCE: 1KG MIN IN EITHER DIRECTION
4. PRODUCT SPEC PS-87761-100 APPLIES.
- 5 BEND DEPRESSION IS ACCEPTABLE SO LONG AS IT DOES NOT AFFECT THE OVERALL COPLANARITY OF TAIL.
- 6 COPLANARITY IS TO BE MEASURED BY RESTING THE SOLDERTAIL ON A FLAT SURFACE.
- 7 CAP TO BE LOCATED AS CENTRAL OF PART AS POSSIBLE
TOP SURFACE OF CAP TO BE FLAT FOR THE PURPOSE OF PICK & PLACE BY VACUUM SUCTION NOZZLE.
8. FOR ILLUSTRATION PURPOSES, 12CKT IS SHOWN.
- 9 CKT 4 & 6 IS CUT FROM CKT 8 & 12 RESPECTIVELY
ROUGH EDGES ARE EXPECTED ALONG THE CUTTING EDGES.
- 10 PART TO BE PACKED IN TRAY ONLY.
11. TUBE LENGTH IS 560MM REF STANDARD.



REVISE EMBOSSED TAPE EC NO: S2012-0908 DRWN:SKANG 2012/06/04 CHKD:ATSEE 2012/09/18 APPR:MLONG 2012/09/19	DESCRIPTION B7	QUALITY SYMBOLS	GENERAL TOLERANCES (UNLESS SPECIFIED)	DIMENSION STYLE MM ONLY	SCALE NTS	DESIGN UNITS METRIC	THIRD ANGLE PROJECTION	
		$\nabla=0$ $\nabla C=0$	mm INCH 4 PLACES ± --- ± --- 3 PLACES ± --- ± --- 2 PLACES ± 0.2 ± --- 1 PLACE ± --- ± --- ANGULAR ± 3 °	DRAWN BY DATE KSEE 2003/12/12 CHECKED BY DATE KCL ING 2004/01/12 APPROVED BY DATE SKTOH 2004/01/12	TITLE	CUSTOM HEADER MGRID, 2MM DUAL ROW HDR. SMT		
		DRAFT WHERE APPLICABLE MUST REMAIN WITHIN DIMENSIONS	SEE TABLE	MATERIAL NO.	DOCUMENT NO.	MOLEX INCORPORATED		
			SIZE A3	THIS DRAWING CONTAINS INFORMATION THAT IS PROPRIETARY TO MOLEX INCORPORATED AND SHOULD NOT BE USED WITHOUT WRITTEN PERMISSION				

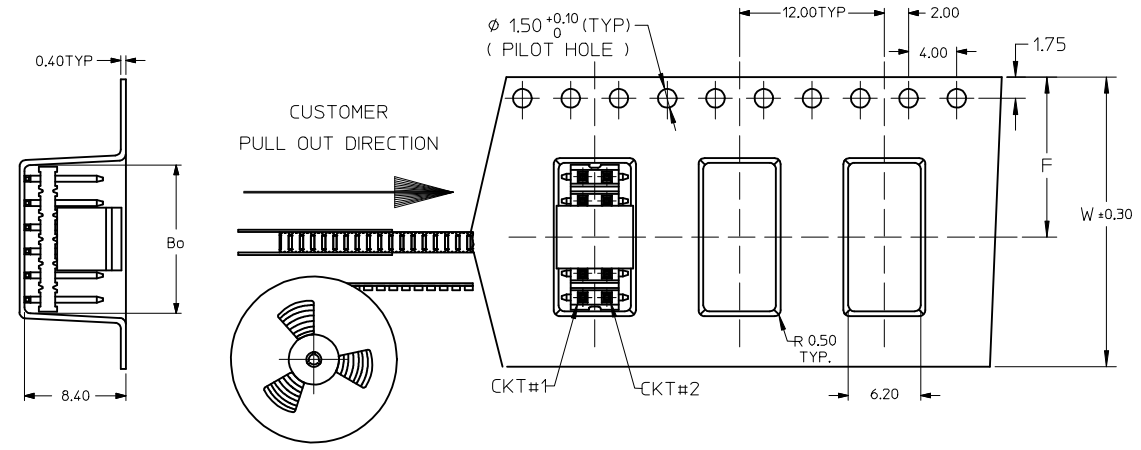


RECOMMENDED SOLDER PAD LAYOUT



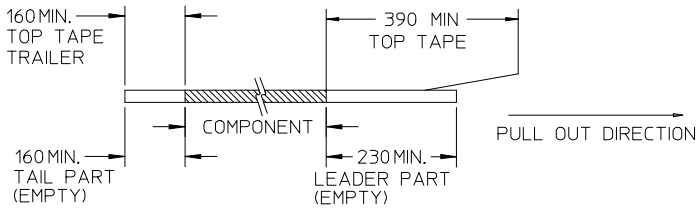
REVISE EMBOSSED TAPE EC NO: S2012-0908 DRWN:SKANG CHKD:ATSEE APPR:MLONG	2012/06/04 2012/09/18 2012/09/19	DESCRIPTION B7	QUALITY SYMBOLS	GENERAL TOLERANCES (UNLESS SPECIFIED)	DIMENSION STYLE	SCALE	DESIGN UNITS	THIRD ANGLE PROJECTION		
			▼=0 □=0	mm INCH 4 PLACES ± --- ± --- 3 PLACES ± --- ± --- 2 PLACES ± 0.2 ± --- 1 PLACE ± --- ± --- ANGULAR ± 3 °	MM ONLY	NTS	METRIC	DRAWN BY: KSEE DATE: 2003/12/12 CHECKED BY: KCLING DATE: 2004/01/12 APPROVED BY: SKTOH DATE: 2004/01/12	TITLE	CUSTOM HEADER MGRID, 2MM DUAL ROW HDR. SMT
			DRAFT WHERE APPLICABLE MUST REMAIN WITHIN DIMENSIONS	SEE TABLE	MATERIAL NO.	DOCUMENT NO.	SHEET NO.	MOLEX INCORPORATED SD-87759-117 2 OF 7		
			THIS DRAWING CONTAINS INFORMATION THAT IS PROPRIETARY TO MOLEX INCORPORATED AND SHOULD NOT BE USED WITHOUT WRITTEN PERMISSION							

EMBOSSED CARRIER TAPE TYPE "A"

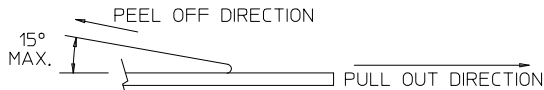


NOTES:

12. LEADER AND TRAILER TAPE



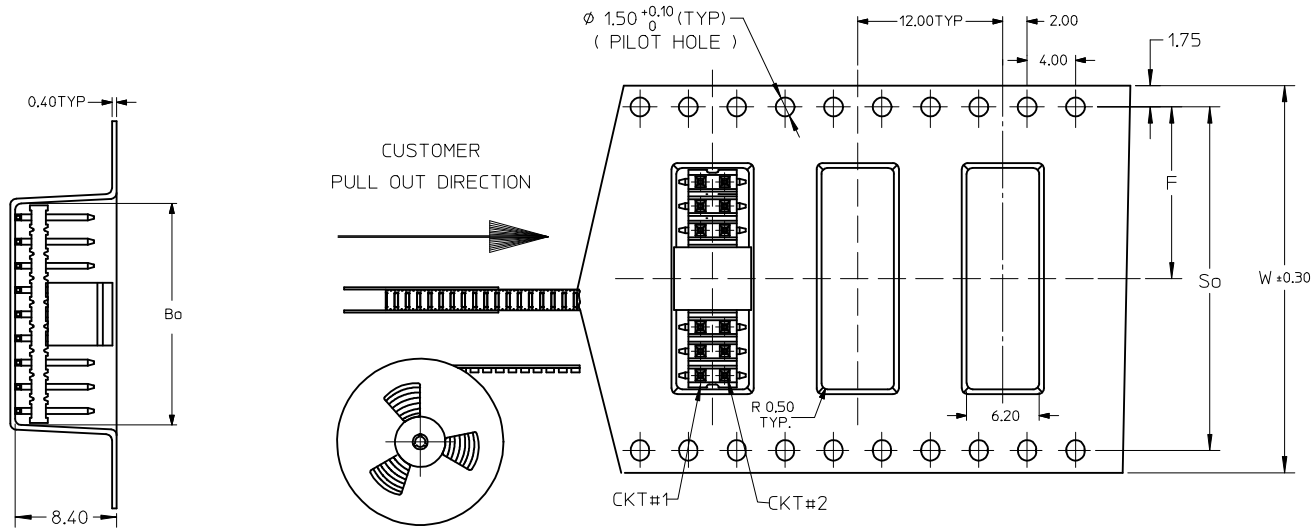
13. PEELING OFF FORCE OF THE TOP TAPE: 20-80gf.
(PEELING DIRECTION AS SHOWN IN FOLLOWING FIGURE)



- 14. PACKAGING STANDARD IS AS PER EIA-481.
- 15. TAPE & REEL QUANTITY = SEE TABLE
- 16. THE TAPE IS TREATED FOR ANTI-STATIC

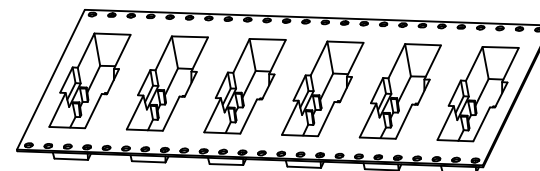
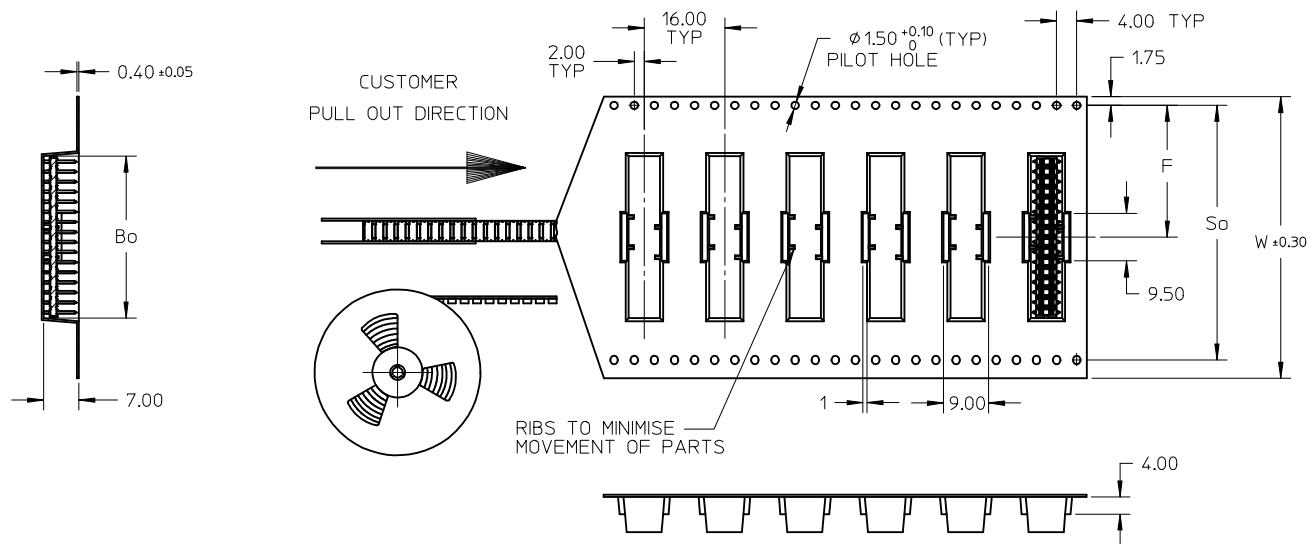
REVISE EMBOSSED TAPE EC NO: S2012-0908 DRWN:SKANG CHKD:ATSEE APPR:MLONG 2012/06/04 2012/09/18 2012/09/19	DESCRIPTION B7	QUALITY SYMBOLS ▽=0 ▽=0	GENERAL TOLERANCES (UNLESS SPECIFIED)		DIMENSION STYLE	SCALE	DESIGN UNITS	THIRD ANGLE PROJECTION				
					MM ONLY	NTS	METRIC					
					mm	INCH	DRAWN BY	DATE	TITLE			
					4 PLACES ± ---	± ---	KSEE	2003/12/12	CUSTOM HEADER MGRID, 2MM DUAL ROW HDR. SMT			
		3 PLACES ± ---	± ---	CHECKED BY	DATE	MOLEX INCORPORATED DOCUMENT NO. SD-87759-117 SHEET NO. 3 OF 7						
		2 PLACES ± 0.2	± ---	KCL ING	2004/01/12							
		1 PLACE ± ---	± ---	APPROVED BY	DATE							
		ANGULAR ± 3 °		SKTOH	2004/01/12							
		DRAFT WHERE APPLICABLE MUST REMAIN WITHIN DIMENSIONS		MATERIAL NO.		SEE TABLE						
				SIZE	THIS DRAWING CONTAINS INFORMATION THAT IS PROPRIETARY TO MOLEX INCORPORATED AND SHOULD NOT BE USED WITHOUT WRITTEN PERMISSION							

EMBOSSED CARRIER TAPE TYPE "B"



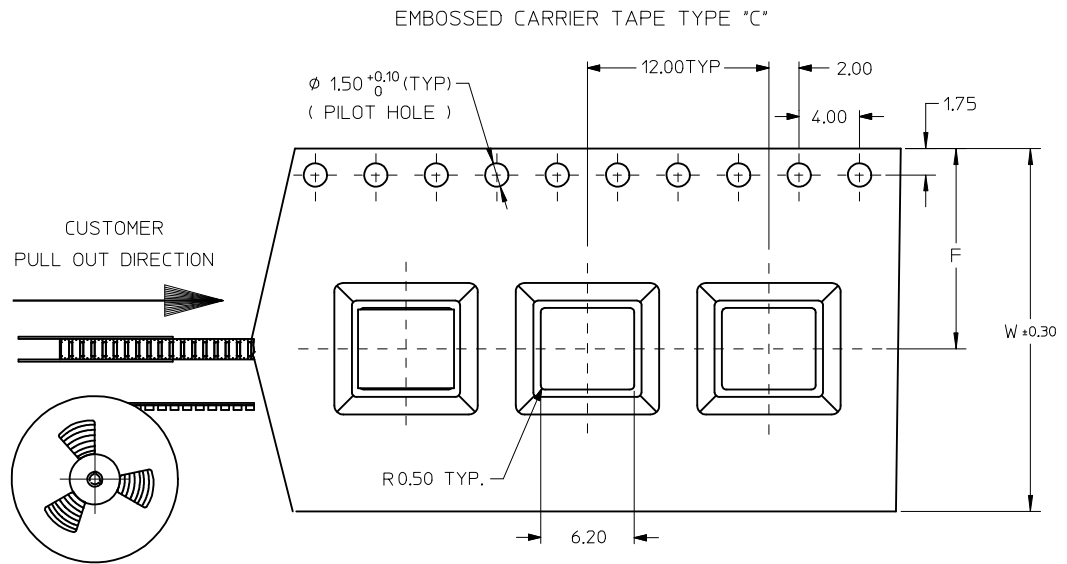
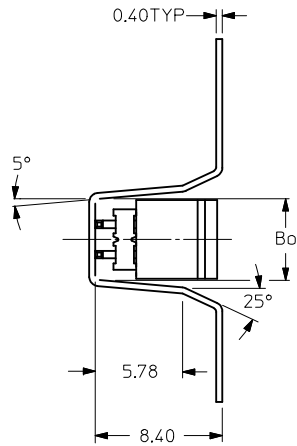
REVISE EMBOSSED TAPE EC NO: S2012-0908 DRWN:SKANG CHKD:ATSEE APPR:MLONG	2012/06/04	2012/09/18	2012/09/19	QUALITY SYMBOLS $\nabla=0$ $\triangle=0$	GENERAL TOLERANCES (UNLESS SPECIFIED) mm INCH 4 PLACES \pm --- \pm --- 3 PLACES \pm --- \pm --- 2 PLACES ± 0.2 \pm --- 1 PLACE \pm --- \pm --- ANGULAR $\pm 3^\circ$	DIMENSION STYLE MM ONLY DRAWN BY DATE KSEE 2003/12/12 CHECKED BY DATE KCLING 2004/01/12 APPROVED BY DATE SKTOH 2004/01/12	SCALE NTS DESIGN UNITS METRIC THIRD ANGLE PROJECTION	TITLE CUSTOM HEADER MGRID, 2MM DUAL ROW HDR. SMT		
	B7	DESCRIPTION	MATERIAL NO.						DOCUMENT NO.	SHEET NO.
	DRAFT WHERE APPLICABLE MUST REMAIN WITHIN DIMENSIONS		SEE TABLE						SD-87759-117	4 OF 7
	THIS DRAWING CONTAINS INFORMATION THAT IS PROPRIETARY TO MOLEX INCORPORATED AND SHOULD NOT BE USED WITHOUT WRITTEN PERMISSION									

EMBOSSED CARRIER TAPE TYPE 'B1'



REVISE EMBOSSED TAPE EC NO: S2012-0908 DRWN:SKANG 2012/06/04 CHKD:ATSEE 2012/09/18 APPR:MLONG 2012/09/19	DESCRIPTION REV	QUALITY SYMBOLS	GENERAL TOLERANCES (UNLESS SPECIFIED)		DIMENSION STYLE MM ONLY		SCALE NTS	DESIGN UNITS METRIC	THIRD ANGLE PROJECTION	
		$F_A=0$	4 PLACES	mm	INCH	DRAWN BY KSEE	DATE 2003/12/12	TITLE CUSTOM HEADER MGRID, 2MM DUAL ROW HDR. SMT		
		$F_B=0$	3 PLACES	± ---	± ---	CHECKED BY KCLING	DATE 2004/01/12			
		$F_C=0$	2 PLACES	± 0.2	± ---	APPROVED BY SKTOH	DATE 2004/01/12	DOCUMENT NO. SD-87759-117		SHEET NO. 5 OF 7
			1 PLACE	± ---	± ---	MATERIAL NO. SEE TABLE		THIS DRAWING CONTAINS INFORMATION THAT IS PROPRIETARY TO MOLEX INCORPORATED AND SHOULD NOT BE USED WITHOUT WRITTEN PERMISSION		
			0 PLACE	±	±	ANGULAR ± 3 °				
			DRAFT WHERE APPLICABLE MUST REMAIN WITHIN DIMENSIONS		SIZE A3					

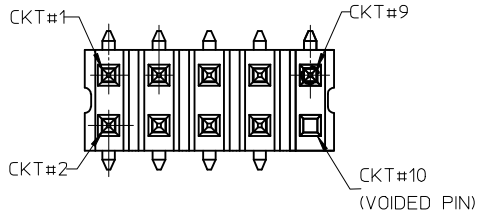
THIS TYPE OF CARRIER IS FOR CKT SIZE 8 AND BELOW.



REVISE EMBOSSED TAPE EC NO: S2012-0908 DRWN:SKANG 2012/06/04 CHKD:ATSEE 2012/09/18 APPR:MLONG 2012/09/19	DESCRIPTION REV	QUALITY SYMBOLS	GENERAL TOLERANCES (UNLESS SPECIFIED)	DIMENSION STYLE MM ONLY	SCALE NTS	DESIGN UNITS METRIC	THIRD ANGLE PROJECTION	
		▼=0 ◻=0	mm INCH	DRAWN BY DATE	TITLE	CUSTOM HEADER MGRID, 2MM DUAL ROW HDR. SMT		
		4 PLACES ± --- ± --- 3 PLACES ± --- ± --- 2 PLACES ± 0.2 ± --- 1 PLACE ± --- ± ---	ANGULAR ± 3 °	CHECKED BY DATE KCL ING 2004/01/12	APPROVED BY DATE SKTOH 2004/01/12	MOLEX INCORPORATED		
		DRAFT WHERE APPLICABLE MUST REMAIN WITHIN DIMENSIONS	SEE TABLE	MATERIAL NO.	DOCUMENT NO.	SHEET NO.		
B7				SIZE A3	THIS DRAWING CONTAINS INFORMATION THAT IS PROPRIETARY TO MOLEX INCORPORATED AND SHOULD NOT BE USED WITHOUT WRITTEN PERMISSION			

10	9	8	7	6	5	4	3	2	1					
PART NUMBER WITHOUT CAP IN TUBE	PART NUMBER WITH CAP IN TUBE	PART NUMBER WITH CAP IN TAPE AND REEL.	PART NUMBER WITHOUT CAP IN TAPE AND REEL.	CKT SIZE	VOID CKTS	A	B	Bo	F	So	W	EMBOSSSED TYPE	QTY/ REEL	PLATING OPTION
87759-0414 $\triangle_{9/10}$	87759-0464	87759-0474	-	4	--	NA	2.00	5.40	11.50	-	24.00	C	750	1
87759-0614 \triangle_{9}	87759-0664	87759-0674	-	6	--	NA	4.00	7.20	11.50	-	24.00	C		
87759-0814	87759-0864	87759-0874	-	8	--	7.90	6.00	8.20	11.50	-	24.00	C		
87759-1014	87759-1064	87759-1074	-	10	--	9.90	8.00	10.20	11.50	-	24.00	A		
87759-1002 \triangle_A	87759-1003 \triangle_A	87759-1004 \triangle_A	-	10	10	9.90	8.00	10.20	11.50	-	24.00	A		
87759-1214	87759-1264	87759-1274	-	12	--	11.90	10.00	12.20	11.50	-	24.00	A		
87759-1414	87759-1464	87759-1474	-	14	--	13.90	12.00	14.20	11.50	-	24.00	A		
87759-1614	87759-1664	87759-1674	-	16	--	15.90	14.00	16.20	14.20	28.40	32.00	B		
87759-1814	87759-1864	87759-1874	-	18	--	17.90	16.00	18.20	14.20	28.40	32.00	B		
87759-2014	87759-2064	87759-2074	-	20	--	19.90	18.00	20.20	14.20	28.40	32.00	B		
87759-2214	87759-2264	87759-2274	-	22	--	21.90	20.00	22.20	20.20	40.40	44.00	B		
87759-2414	87759-2464	87759-2474	-	24	--	23.90	22.00	24.20	20.20	40.40	44.00	B		
87759-2614	87759-2664	87759-2674	-	26	--	25.90	24.00	26.20	20.20	40.40	44.00	B		
87759-2814	87759-2864	87759-2874	-	28	--	27.90	26.00	28.20	20.20	40.40	44.00	B		
87759-3014	87759-3064	87759-3074	-	30	--	29.90	28.00	30.20	20.20	40.40	44.00	B		
87759-3214	87759-3264	87759-3274	-	32	--	31.90	30.00	32.20	20.20	40.40	56.00	B		
87759-3414	87759-3464	87759-3474	-	34	--	33.90	32.00	34.20	26.20	52.40	56.00	B		
87759-3614	87759-3664	87759-3674	-	36	--	35.90	34.00	36.20	26.20	52.40	56.00	B		
-	-	-	87759-3679		--	35.90	34.00	36.20	26.20	52.40	56.00	B1		
87759-3814	87759-3864	87759-3874	-	38	--	37.90	36.00	38.20	26.20	52.40	56.00	B		
87759-4014	87759-4064	87759-4074	-	40	--	39.90	38.00	40.20	26.20	52.40	56.00	B		
87759-4214	87759-4264	87759-4274	-	42	--	41.90	40.00	42.20	26.20	52.40	56.00	B		
87759-4414	87759-4464	87759-4474	-	44	--	43.90	42.00	44.20	26.20	52.40	56.00	B		
87759-4614	87759-4664	87759-4674	-	46	--	45.90	44.00	46.20	26.20	52.40	56.00	B		
87759-4814	87759-4864	87759-4874	-	48	--	47.90	46.00	48.20	26.20	52.40	56.00	B		
87759-5014	87759-5064	87759-5074	-	50	--	49.90	48.00	50.20	34.20	68.40	72.00	B		

\triangle_A NOTES:
VOIDED PIN CKT#10 FOR PART#87759-1002



REVISE EMBOSSSED TAPE
EC NO: S2012-0908
DRWN:SKANG 2012/06/04
CHKD:ATSEE 2012/09/18
APPR:MLONG 2012/09/19

QUALITY SYMBOLS
▽=0
◻=0

DESCRIPTION

REV B7

GENERAL TOLERANCES (UNLESS SPECIFIED)

	mm	INCH
4 PLACES	± ---	± ---
3 PLACES	± ---	± ---
2 PLACES	± 0.2	± ---
1 PLACE	± ---	± ---

ANGULAR ± 3 °

DRAFT WHERE APPLICABLE
MUST REMAIN WITHIN DIMENSIONS

DIMENSION STYLE
MM ONLY

DRAWN BY: KSEE DATE: 2003/12/12
CHECKED BY: KCL ING DATE: 2004/01/12
APPROVED BY: SKTOH DATE: 2004/01/12

MATERIAL NO. SEE TABLE

SIZE A3

SCALE NTS
DESIGN UNITS METRIC
THIRD ANGLE PROJECTION

TITLE
CUSTOM HEADER
MGRID, 2MM DUAL ROW HDR.
SMT

MOLEX MOLEX INCORPORATED

DOCUMENT NO. SD-87759-117
SHEET NO. 7 OF 7

THIS DRAWING CONTAINS INFORMATION THAT IS PROPRIETARY TO MOLEX INCORPORATED AND SHOULD NOT BE USED WITHOUT WRITTEN PERMISSION