



Chipsmall Limited consists of a professional team with an average of over 10 year of expertise in the distribution of electronic components. Based in Hongkong, we have already established firm and mutual-benefit business relationships with customers from,Europe,America and south Asia,supplying obsolete and hard-to-find components to meet their specific needs.

With the principle of “Quality Parts,Customers Priority,Honest Operation,and Considerate Service”,our business mainly focus on the distribution of electronic components. Line cards we deal with include Microchip,ALPS,ROHM,Xilinx,Pulse,ON,Everlight and Freescale. Main products comprise IC,Modules,Potentiometer,IC Socket,Relay,Connector.Our parts cover such applications as commercial,industrial, and automotives areas.

We are looking forward to setting up business relationship with you and hope to provide you with the best service and solution. Let us make a better world for our industry!



Contact us

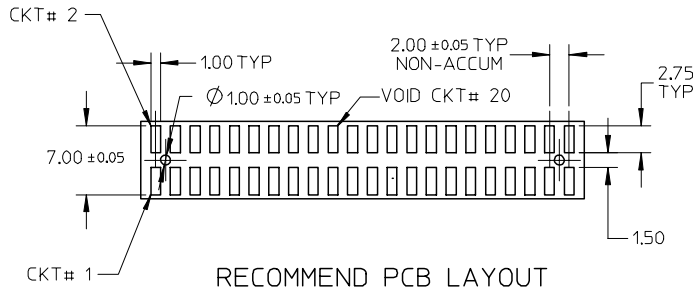
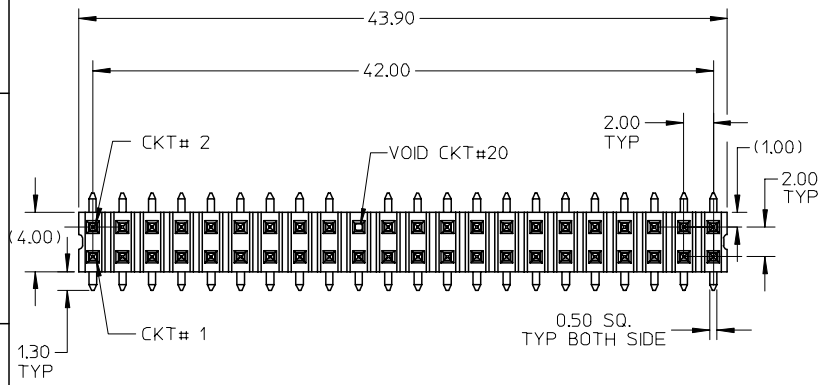
Tel: +86-755-8981 8866 Fax: +86-755-8427 6832

Email & Skype: info@chipsmall.com Web: www.chipsmall.com

Address: A1208, Overseas Decoration Building, #122 Zhenhua RD., Futian, Shenzhen, China

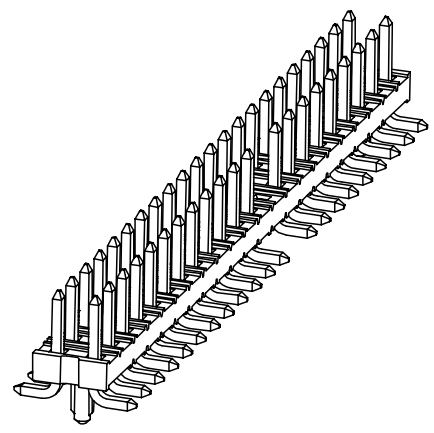
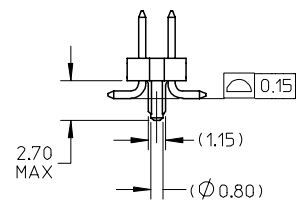
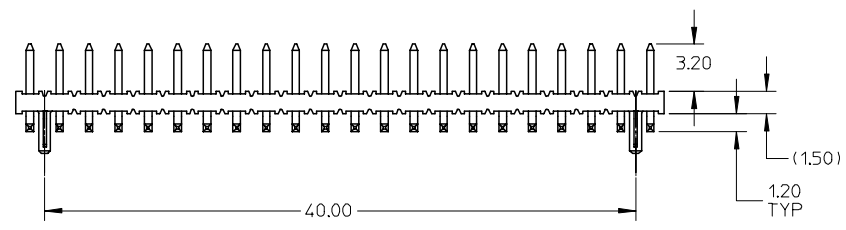


PACKAGING OPTION PART NO.			CKT SIZE	VOID POSITION	PLATING TYPE
TAPE & REEL WITH CAP	TUBE WITH CAP	TUBE WITHOUT CAP			
87759-6005	87759-6006	87759-6007	44	20	1



NOTES:

1. MATERIAL:
HOUSING: GLASS FILLED. NYLON 46, UL94V-0,
COLOR: BLACK
TERMINAL: COPPER ALLOY 0.50mm SQ
 2. PLATING TYPE:
(1) 10µin MIN. GOLD PLATE ON CONTACT,
100µin MIN. TIN ON SOLDER TAIL,
BOTH OVER 50µin MIN. NICKEL OVERALL.
 3. PIN PUSHOUT FORCE: 1KG MIN IN EITHER DIRECTION
 4. FOR PACKAGING OPTION PLEASE REFER TO THE TABLE.
- △ CAP TO BE PLACED AS NEAR TO THE CENTRE OF PART AS POSSIBLE AND FULLY FLUSH TO THE WAFER SURFACE.



REVISED TUBE SPEC	DESCRIPTION
EC NO: S2007-0829	2007/04/10
DRWN:SKLIM01	2007/04/12
CHKD:CLAM	2007/04/17
APPR:KWLEE	2007/04/17

QUALITY SYMBOLS	DESCRIPTION
▽=0	
▽C=0	

GENERAL TOLERANCES (UNLESS SPECIFIED)	
	ANGULAR ± 3 °
DRAFT WHERE APPLICABLE MUST REMAIN WITHIN DIMENSIONS	

DIMENSION STYLE	
MM ONLY	
DRAWN BY	DATE
KSEE	2005/01/04
CHECKED BY	DATE
PTL IM	2005/01/12
APPROVED BY	DATE
SCLOW	2005/01/12
MATERIAL NO.	
SEE TABLE	

SCALE	DESIGN UNITS	THIRD ANGLE PROJECTION
NTS	METRIC	
TITLE		
CUSTOM HEADER		
MGRID, 2.00MM PITCH, HDR		
DUAL ROW S/WAFER, SMT		
MOLEX INCORPORATED		
MATERIAL NO.	DOCUMENT NO.	SHEET NO.
	SD-87759-231	1 OF 3
THIS DRAWING CONTAINS INFORMATION THAT IS PROPRIETARY TO MOLEX INCORPORATED AND SHOULD NOT BE USED WITHOUT WRITTEN PERMISSION		

10 9 8 7 6 5 4 3 2 1

F

E

D

C

B

A

F

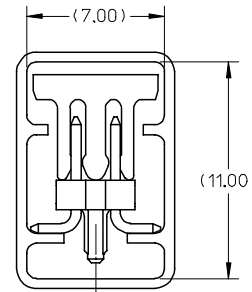
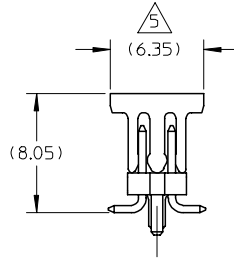
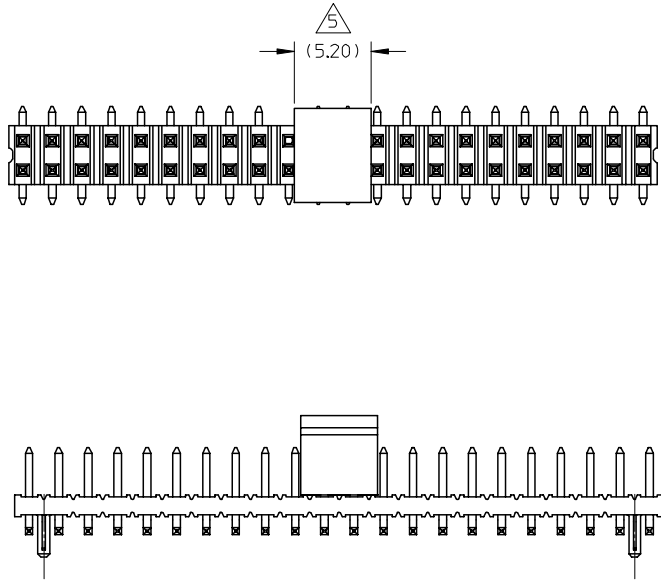
E

D

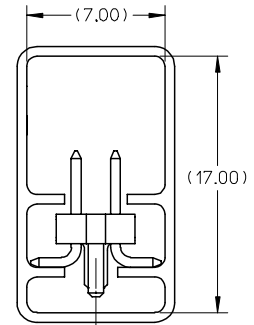
C

B

A



PART WITH CAP
IN TUBE



PART WITHOUT CAP
IN TUBE

REVISED TUBE SPEC	DESCRIPTION
EC NO: S2007-0829	DRWN:SKL/M01
2007/04/10	CHKD:CLAM
2007/04/12	APPR:KWLEE
2007/04/17	

QUALITY SYMBOLS	DESCRIPTION
▽=0	
∇=0	

GENERAL TOLERANCES (UNLESS SPECIFIED)	
	mm
4 PLACES	± 0.2
3 PLACES	± 0.25
2 PLACES	± 0.3
1 PLACE	± 0.4
ANGULAR ± 3°	
DRAFT WHERE APPLICABLE MUST REMAIN WITHIN DIMENSIONS	

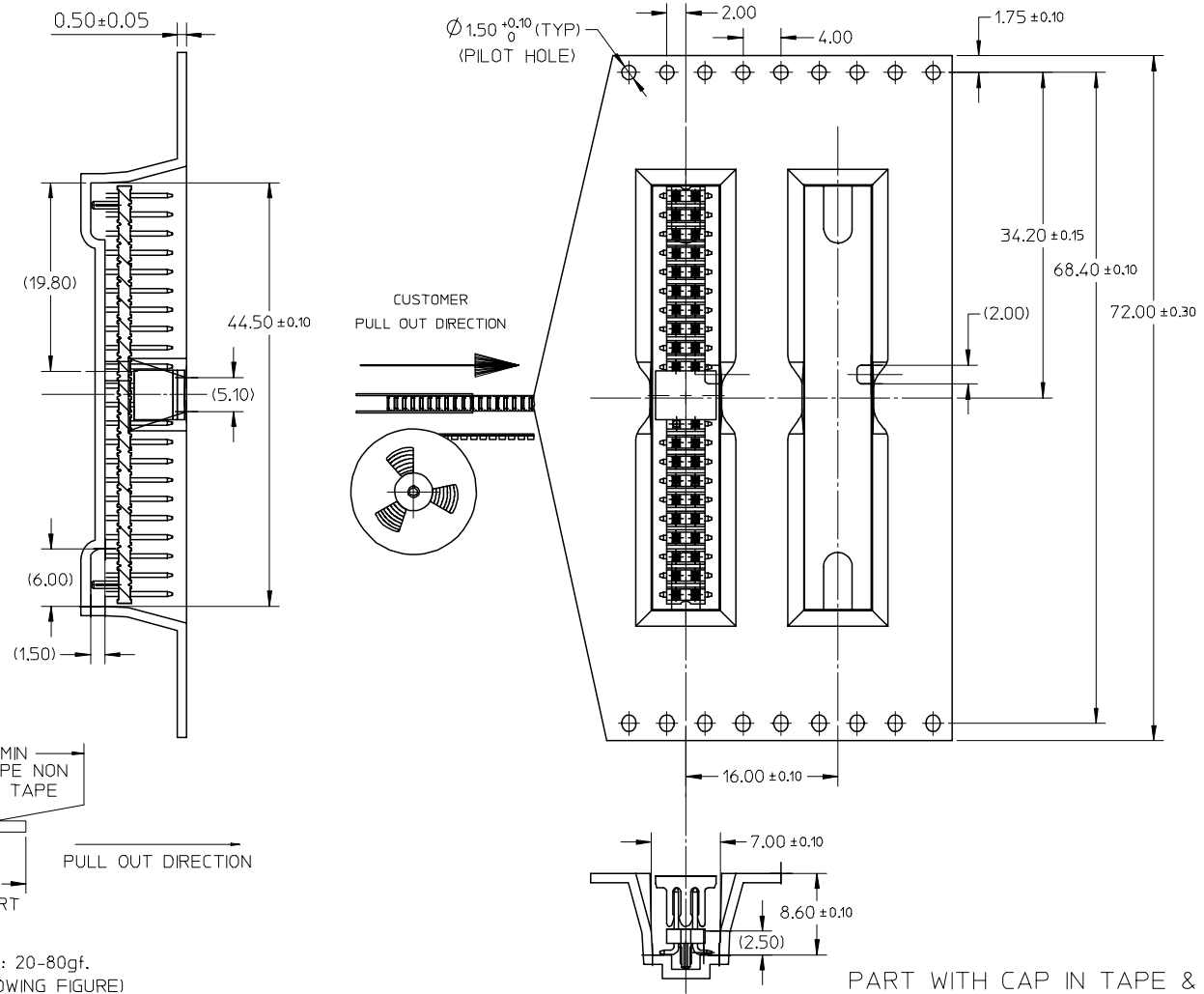
DIMENSION STYLE	
MM ONLY	
DRAWN BY	DATE
KSEE	2005/01/04
CHECKED BY	DATE
PTL IM	2005/01/12
APPROVED BY	DATE
SCLOW	2005/01/12
MATERIAL NO.	
SEE TABLE	
SIZE	A3

SCALE	DESIGN UNITS	THIRD ANGLE PROJECTION
NTS	METRIC	
TITLE		
CUSTOM HEADER		
MGRID, 2.00MM PITCH, HDR		
DUAL ROW S/WAFER, SMT		
MOLEX INCORPORATED		
DOCUMENT NO.		SHEET NO.
SD-87759-231		2 OF 3

9 8 7 6 5 4 3 2 1

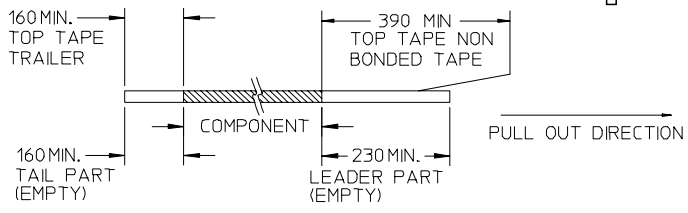
10 9 8 7 6 5 4 3 2 1

F
E
D
C
B
A

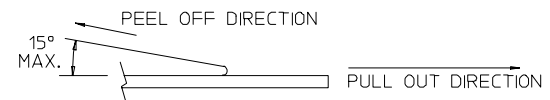


NOTES:

1. LEADER AND TRAILER TAPE



2. PEELING OFF FORCE OF THE TOP TAPE: 20-80gf.
(PEELING DIRECTION AS SHOWN IN FOLLOWING FIGURE)



- 3. TAPE AND REEL SPECIFICATION IS AS PER EIA-481.
- 4. TAPE AND REEL QUANTITY : 450 PCS/ REEL.
- 5. THE TAPE IS TREATED FOR ANTI-STATIC.

PART WITH CAP IN TAPE & REEL

REVISED TUBE SPEC EC NO: S2007-0829 DRWN:SKLIM01 CHKD:CWLM APPR:KWLEE	2007/04/10 2007/04/12 2007/04/17	QUALITY SYMBOLS ▽=0 ▽=0	GENERAL TOLERANCES (UNLESS SPECIFIED)		DIMENSION STYLE MM ONLY		SCALE NTS	DESIGN UNITS METRIC	THIRD ANGLE PROJECTION		
				mm	INCH	DRAWN BY KSEE	DATE 2005/01/04	TITLE CUSTOM HEADER MGRID, 2.00MM PITCH, HDR DUAL ROW S/WAFER, SMT			
				4 PLACES ± ---	± ---	CHECKED BY PTL IM	DATE 2005/01/12				
				3 PLACES ± ---	± ---	APPROVED BY SCLOW	DATE 2005/01/12	MOLEX INCORPORATED		SHEET NO. 3 OF 3	
		2 PLACES ± 0.2	± ---	MATERIAL NO.		DOCUMENT NO. SD-87759-231					
		1 PLACE ± ---	± ---	DRAFT WHERE APPLICABLE MUST REMAIN WITHIN DIMENSIONS		SEE TABLE					
		ANGULAR ± 3 °		SIZE A3		THIS DRAWING CONTAINS INFORMATION THAT IS PROPRIETARY TO MOLEX INCORPORATED AND SHOULD NOT BE USED WITHOUT WRITTEN PERMISSION					

9 8 7 6 5 4 3 2 1