



Chipsmall Limited consists of a professional team with an average of over 10 year of expertise in the distribution of electronic components. Based in Hongkong, we have already established firm and mutual-benefit business relationships with customers from,Europe,America and south Asia,supplying obsolete and hard-to-find components to meet their specific needs.

With the principle of “Quality Parts,Customers Priority,Honest Operation,and Considerate Service”,our business mainly focus on the distribution of electronic components. Line cards we deal with include Microchip,ALPS,ROHM,Xilinx,Pulse,ON,Everlight and Freescale. Main products comprise IC,Modules,Potentiometer,IC Socket,Relay,Connector.Our parts cover such applications as commercial,industrial, and automotives areas.

We are looking forward to setting up business relationship with you and hope to provide you with the best service and solution. Let us make a better world for our industry!



## Contact us

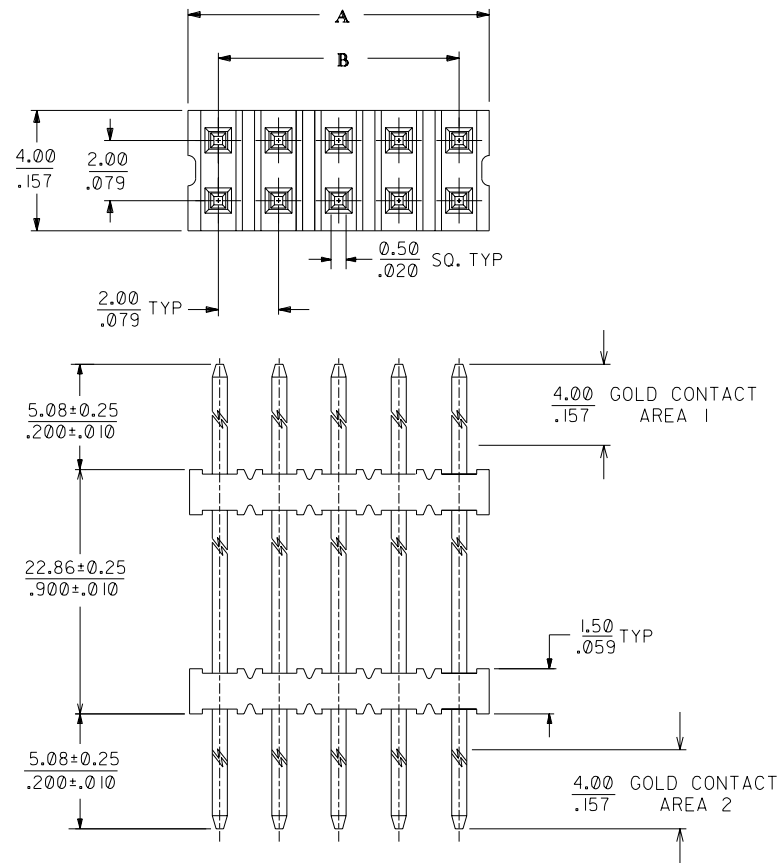
Tel: +86-755-8981 8866 Fax: +86-755-8427 6832

Email & Skype: info@chipsmall.com Web: www.chipsmall.com

Address: A1208, Overseas Decoration Building, #122 Zhenhua RD., Futian, Shenzhen, China

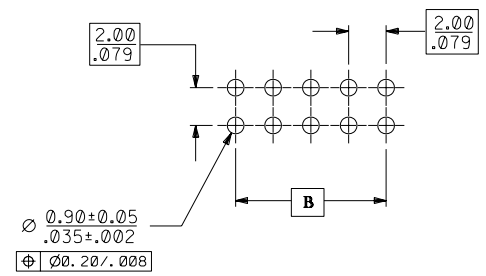


PART NO.	CKT SIZE	DIMENSION			
		A		B	
		MM	INCH	MM	INCH
87761-0001	10	9.90	.390	8.00	.315



**NOTES:**

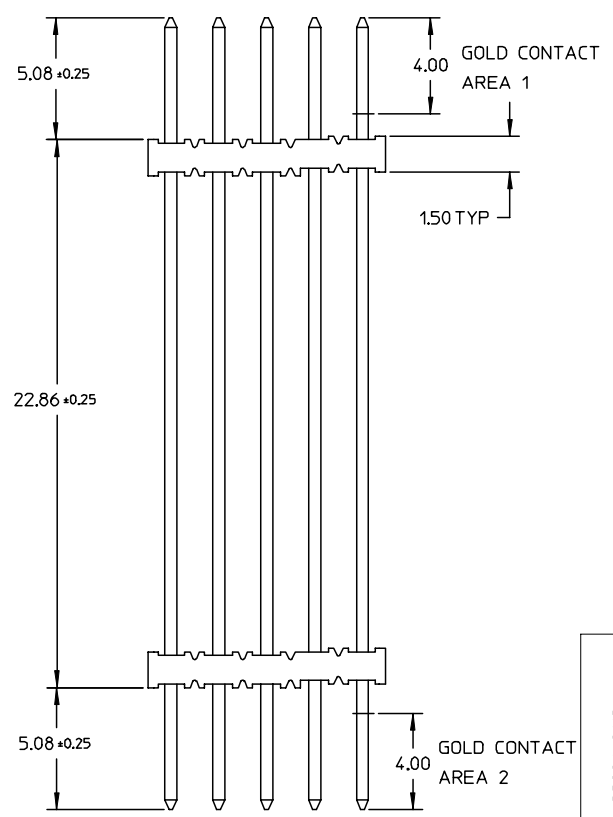
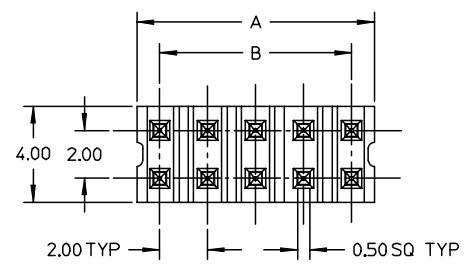
- 1) PLATING:  
PIN : 0.38um/15u" MIN GOLD IN SELECTIVE CONTACT AREA 1 & 2, BOTH OVER NICKEL OVERALL.
- 2) MATERIAL:  
HSG : HIGH TEMP THERMOPLASTIC, COLOR BLACK  
PIN : 0.50mm SQ. COPPER ALLOY.
- 3) 10 CKT USED FOR ILLUSTRATION ONLY.
- 4) PACKED IN POCKET TRAY.



**RECOMMENDED PCB PATTERN**  
(SCALE 5:1)

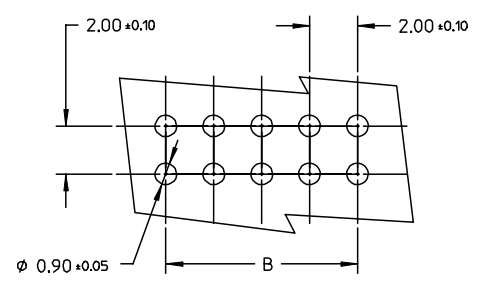
REL PER PDR*5-000208-00-00 EC NO. S2002-0516 DRWN: KSEE 020614 CHK: LING 020624 APPR: TOH 020626	QUALITY SYMBOLS MAJOR ▼ = 0 CRITICAL ▽ = 0	GENERAL TOLERANCES: (UNLESS SPECIFIED)		SCALE NTS	DESIGN UNITS <input checked="" type="checkbox"/> mm <input type="checkbox"/> INCH	THIRD ANGLE PROJECTION	DIMENSIONS: <input checked="" type="checkbox"/> mm <input type="checkbox"/> INCH <input type="checkbox"/> mm ONLY	SHT	REV	
		4 PLACES ±0. - ±. -	3 PLACES ±0. - ±. 0.10	2 PLACES ±0.25 ±. -	1 PLACE ±0. - ±. -	ANGULAR: ± 3 °	DRAWN BY & DATE KSEE 020614	TITLE: 2MM DUAL ROW, DUAL WAFER , 10 CKT VERTICAL THROUGH HOLE HDR.		
		CHECKED BY & DATE LING 020624			APPROVED BY & DATE TOH 020626			MATERIAL NO. SEE TABLE		
		CAD FILENAME			DRAWING NO. SD-87761-001			SHEET NO. 1 OF 1		
A	REV	THIS DRAWING CONTAINS INFORMATION THAT IS PROPRIETARY TO MOLEX INCORPORATED AND SHOULD NOT BE USED WITHOUT WRITTEN PERMISSION.							SIZE A3	

			87761
PART NUMBER	CKT SIZE	DIM.A	DIM.B
87761-0001	10	9.90	8.00



NOTES:

- MATERIAL:  
HOUSING: HIGH TEMP THERMOPLASTIC, COLOR: BLACK  
PIN: 0.50mm SQ. COPPER ALLOY
- PLATING: 0.38µm/15µm MIN GOLD IN SELECTIVE CONTACT AREA  
TIN/LEAD IN SOLDER TAIL AREA 1 & 2  
BOTH OVER NICKEL OVERALL
- 10 CKT USED FOR ILLUSTRATION ONLY
- PACKED IN POCKET TRAY
- PIN PUSHOUT FORCE: 1KG MIN IN EITHER DIRECTION
- PRODUCT SPECIFICATION: PS-87761-100



RECOMMENDED PCB PATTERN

EC NO: S2004-0112 DRWN: RSHAN 2003/09/24 CHKD: KCLING 2003/09/24 APPR: SKTOH 2003/10/07	DESCRIPTION	QUALITY SYMBOLS	GENERAL TOLERANCES (UNLESS SPECIFIED)		SCALE NTS	DESIGN UNITS METRIC	THIRD ANGLE PROJECTION	REVISE ON CAD ONLY
		▽ = 0 ∇ = 0	mm	INCH	DIMENSION STYLE MM ONLY	TITLE		
A	REV	4 PLACES	± ---	± ---	DRAWN BY RSHAN	DATE 2003/09/08	2MM DUAL ROW, DUAL WAFER VERTICAL THROUGH HOLE HEADER, 10CKT	
		3 PLACES	± ---	± ---	CHECKED BY KCLING	DATE 2003/09/19	MOLEX INCORPORATED	
		2 PLACES	± 0.20	± ---	APPROVED BY SKTOH	DATE 2003/09/22	MATERIAL NO. SEE TABLE	DOCUMENT NO. SD-87761-028
		1 PLACE	± ---	± ---	THIS DRAWING CONTAINS INFORMATION THAT IS PROPRIETARY TO MOLEX INCORPORATED AND SHOULD NOT BE USED WITHOUT WRITTEN PERMISSION			
		ANGULAR ± 1 °		DRAFT WHERE APPLICABLE				SHEET NO. 1 OF 1
		MUST REMAIN WITHIN DIMENSIONS						B