



Chipsmall Limited consists of a professional team with an average of over 10 year of expertise in the distribution of electronic components. Based in Hongkong, we have already established firm and mutual-benefit business relationships with customers from,Europe,America and south Asia,supplying obsolete and hard-to-find components to meet their specific needs.

With the principle of “Quality Parts,Customers Priority,Honest Operation,and Considerate Service”,our business mainly focus on the distribution of electronic components. Line cards we deal with include Microchip,ALPS,ROHM,Xilinx,Pulse,ON,Everlight and Freescale. Main products comprise IC,Modules,Potentiometer,IC Socket,Relay,Connector.Our parts cover such applications as commercial,industrial, and automotives areas.

We are looking forward to setting up business relationship with you and hope to provide you with the best service and solution. Let us make a better world for our industry!



## Contact us

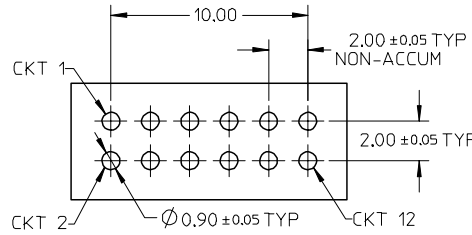
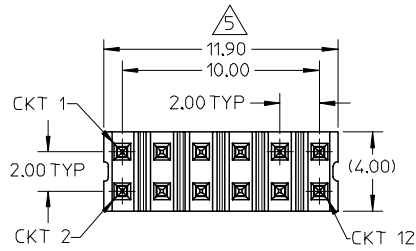
Tel: +86-755-8981 8866 Fax: +86-755-8427 6832

Email & Skype: info@chipsmall.com Web: www.chipsmall.com

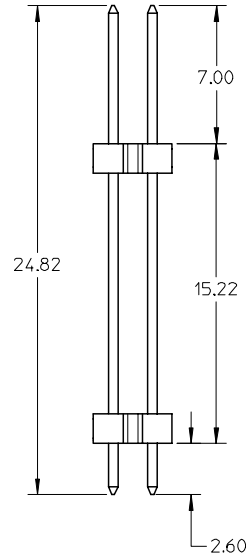
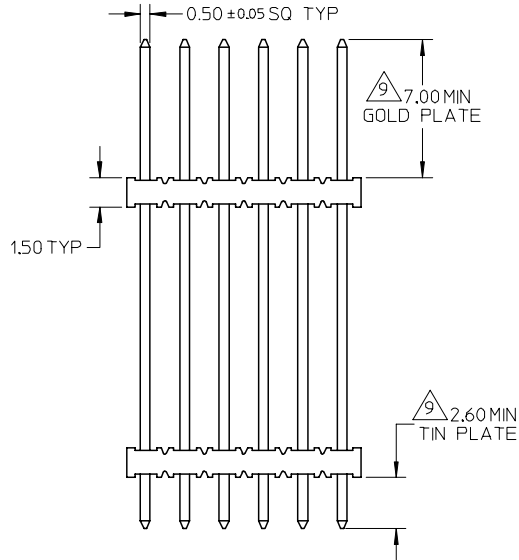
Address: A1208, Overseas Decoration Building, #122 Zhenhua RD., Futian, Shenzhen, China



10 9 8 7 6 5 4 3 2 1

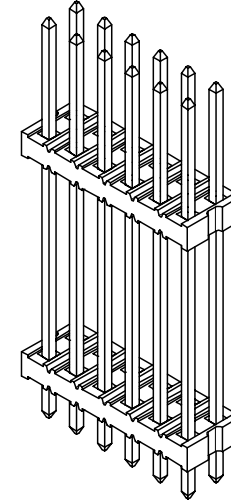


**PCB LAYOUT: COMPONENT SIDE**  
**RECOMMENDED PCB THICKNESS: 1.60 ± 0.10mm**



**NOTES:**

1. MATERIAL:  
HSG: NYLON, GLASS-FILLED, UL94V-0 COLOR: BLACK  
PIN: 0.50MM SQ, COPPER ALLOY
2. PLATING FINISH:  
0.762µm MIN. GOLD PLATE ON CONTACT AND  
1.905µm MIN. TIN ON SOLDER TAIL OVER  
1.270µm MIN. NICKEL OVERALL.
3. PIN PUSHOUT FORCE: 0.85KgF MIN IN EITHER DIRECTION.
4. WAFER TO BE FLAT WITHIN 0.003 mm/mm
5. IRREGULAR CIRCUIT CUTOFF WITHIN BREAKAWAY SECTION IS PERMISSIBLE. CUTTING OR CHIPPING OF THE MAIN BODY IS NOT ACCEPTABLE
6. PART TO BE PACKED IN TRAY
7. PRODUCT SPECIFICATION: PS-87761-100
8. PACKAGING SPECIFICATION: PK-89990-487
9. ASSEMBLE GOLD & TIN PLATE END AS SHOWN



NEW RELEASED EC NO: S2007-0475 DRWN: SKLIM01 CHKD: CWLAM APPR: KWLEE	2007/01/03 2007/01/04 2007/01/05	DESCRIPTION REV	QUALITY SYMBOLS	GENERAL TOLERANCES (UNLESS SPECIFIED)	DIMENSION STYLE	SCALE	DESIGN UNITS	THIRD ANGLE PROJECTION
			▼=0 ▽=0	mm      INCH	MM ONLY	NTS	METRIC	
				4 PLACES ± --- ± --- 3 PLACES ± --- ± --- 2 PLACES ± 0.20 ± --- 1 PLACE ± --- ± ---	DRAWN BY SKLIM01 DATE 2006/12/15 CHECKED BY CWLAM DATE 2007/01/03 APPROVED BY KWLEE DATE 2007/01/03	CUSTOM HEADER M-GRID, DUAL WAFER HEADER, VERTICAL T/H		
				ANGULAR ± 3 °	MATERIAL NO. 87761-1201 DOCUMENT NO. SD-87761-058 SHEET NO. 1 OF 1	MOLEX INCORPORATED		
DRAFT WHERE APPLICABLE MUST REMAIN WITHIN DIMENSIONS				THIS DRAWING CONTAINS INFORMATION THAT IS PROPRIETARY TO MOLEX INCORPORATED AND SHOULD NOT BE USED WITHOUT WRITTEN PERMISSION				

9 8 7 6 5 4 3 2 1