



Chipsmall Limited consists of a professional team with an average of over 10 year of expertise in the distribution of electronic components. Based in Hongkong, we have already established firm and mutual-benefit business relationships with customers from,Europe,America and south Asia,supplying obsolete and hard-to-find components to meet their specific needs.

With the principle of “Quality Parts,Customers Priority,Honest Operation,and Considerate Service”,our business mainly focus on the distribution of electronic components. Line cards we deal with include Microchip,ALPS,ROHM,Xilinx,Pulse,ON,Everlight and Freescale. Main products comprise IC,Modules,Potentiometer,IC Socket,Relay,Connector.Our parts cover such applications as commercial,industrial, and automotives areas.

We are looking forward to setting up business relationship with you and hope to provide you with the best service and solution. Let us make a better world for our industry!



Contact us

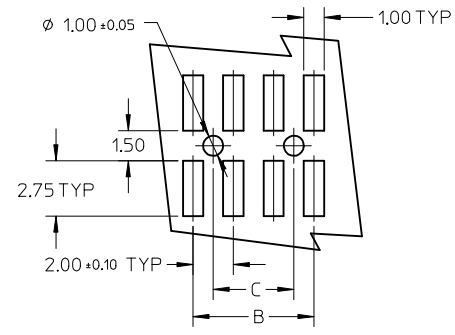
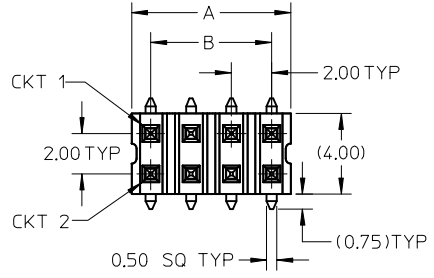
Tel: +86-755-8981 8866 Fax: +86-755-8427 6832

Email & Skype: info@chipsmall.com Web: www.chipsmall.com

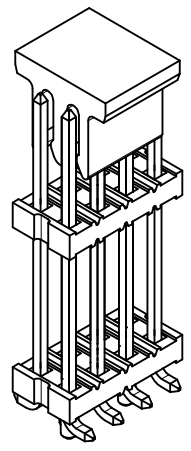
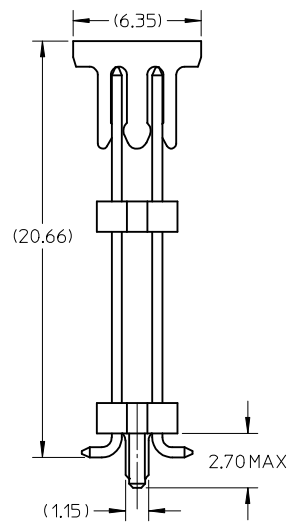
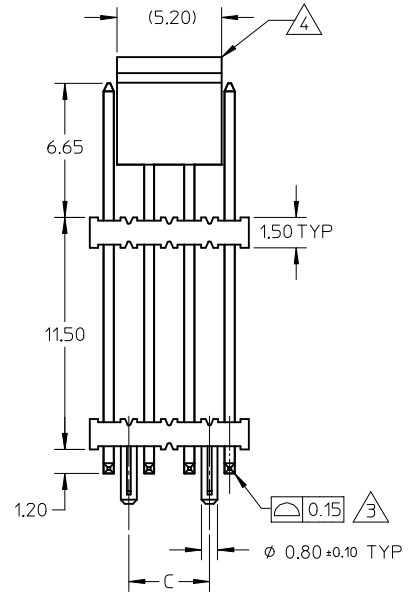
Address: A1208, Overseas Decoration Building, #122 Zhenhua RD., Futian, Shenzhen, China



PART NUMBERS	CKT SIZE	PEG	VOID POSITION	DIMENSION			PACKAGING TYPE
				A	B	C	
87762-0024	12	YES	----	11.90	10.00	8.00	WITHOUT CAP IN TUBE
87762-0025	12	YES	----	11.90	10.00	8.00	WITH CAP IN TUBE
87762-0600	06	NO	----	5.90	4.00	-	WITHOUT CAP IN TRAY



RECOMMENDED PCB LAYOUT



NOTES:

- MATERIAL:
HOUSING: NYLON, GLASS-FILLED, UL94V-0.
COLOR: BLACK
PIN: COPPER ALLOY, SQ, 0.5mm
- PLATING FINISH:
15µm MIN GOLD PLATE IN SELECTED AREA AND
75µm MIN TIN ON SOLDER TAIL OVER
50µm MIN NICKEL UNDERPLATE OVERALL.
- COPLANARITY IS TO BE MEASURED BY RESTING THE SOLDER TAIL ON A GAUGE SURFACE
- CAP TO BE LOCATED AS CENTRAL OF PART AS POSSIBLE
- TUBE LENGTH : 560mm REF.
- THE ABOVE 8CKTS SHOWN IS FOR ILLUSTRATION ONLY.
- PACKAGING TYPE: PLS REFER TO TABLE
- PRODUCT SPEC PS-87761-100 APPLIES
- WAFER TO BE FLAT WITHIN 0.003mm/mm
- RECOMMENDED PCB THICKNESS IS 1.60mm
- PACKAGING SPECIFICATION:
TUBE: PK-151033-0001 (C1)
TRAY: PK-89990-487

REVISE TUBE PK EC NO: S2017-0404 DRWN:FC500 CHKD:CG0H APPR:KLLIM 2017/01/16 2017/02/03 2017/02/07	QUALITY SYMBOLS	GENERAL TOLERANCES (UNLESS SPECIFIED)	DIMENSION STYLE	SCALE	DESIGN UNITS	THIRD ANGLE PROJECTION
	▼=0 C=0	mm INCH 4 PLACES ± --- ± --- 3 PLACES ± --- ± --- 2 PLACES ± 0.20 ± --- 1 PLACE ± --- ± --- ANGULAR ± 3 °	MM ONLY	NTS	METRIC	
	DESCRIPTION	DRAFT WHERE APPLICABLE MUST REMAIN WITHIN DIMENSIONS	DRAWN BY DATE	TITLE	SALES DRAWING	
	REV		KCHO 2004/08/16	CHECKED BY DATE	MGRID, 2MM PITCH, HEADER	
			PTLIM 2004/08/17	DUAL ROW, D/W W PEG, SMT		
			APPROVED BY DATE	MOLEX INCORPORATED		
			SCLOW 2004/08/18	DOCUMENT NO.		SHEET NO.
			MATERIAL NO.	SD-87762-058		1 OF 1
			SEE TABLE	THIS DRAWING CONTAINS INFORMATION THAT IS PROPRIETARY TO MOLEX INCORPORATED AND SHOULD NOT BE USED WITHOUT WRITTEN PERMISSION		