



Chipsmall Limited consists of a professional team with an average of over 10 year of expertise in the distribution of electronic components. Based in Hongkong, we have already established firm and mutual-benefit business relationships with customers from,Europe,America and south Asia,supplying obsolete and hard-to-find components to meet their specific needs.

With the principle of "Quality Parts,Customers Priority,Honest Operation,and Considerate Service",our business mainly focus on the distribution of electronic components. Line cards we deal with include Microchip,ALPS,ROHM,Xilinx,Pulse,ON,Everlight and Freescale. Main products comprise IC,Modules,Potentiometer,IC Socket,Relay,Connector.Our parts cover such applications as commercial,industrial, and automotives areas.

We are looking forward to setting up business relationship with you and hope to provide you with the best service and solution. Let us make a better world for our industry!



## Contact us

Tel: +86-755-8981 8866 Fax: +86-755-8427 6832

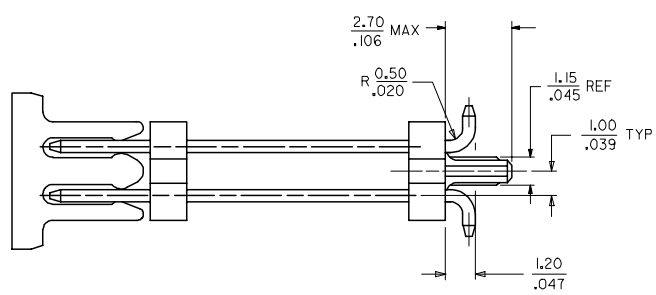
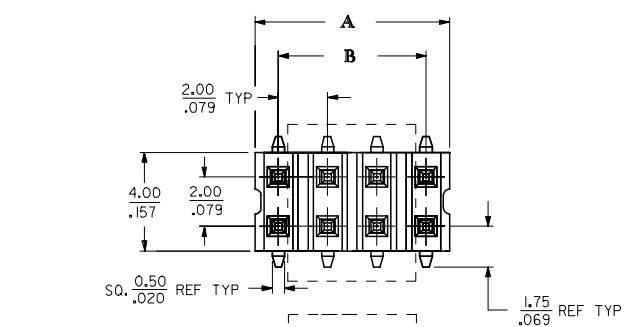
Email & Skype: info@chipsmall.com Web: www.chipsmall.com

Address: A1208, Overseas Decoration Building, #122 Zhenhua RD., Futian, Shenzhen, China

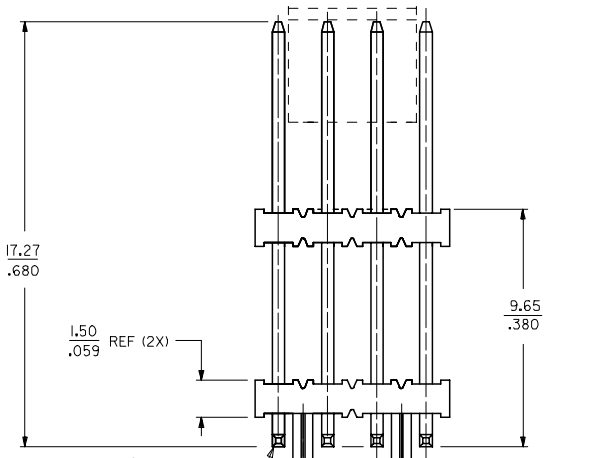
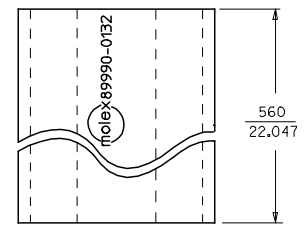


10 9 8 7 6 5 4 3 2 1

F  
E  
D  
C  
B  
A

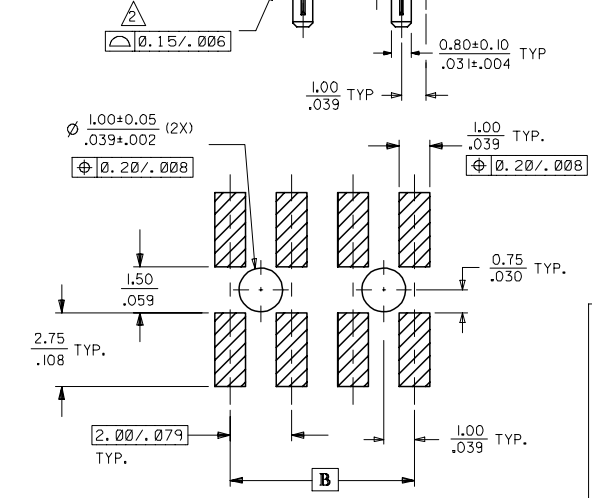
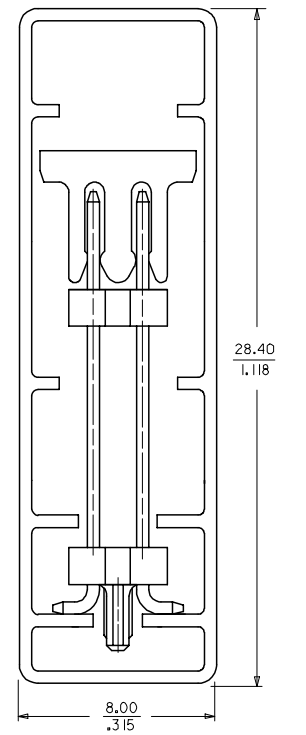


PART NO. W/ CAP IN TUBE	CKT SIZE	DIMENSION			
		A		B	
		MM	INCH	MM	INCH
87762-0872	08	7.90	.311	6.00	.236



**NOTES:**

- PRODUCT SPECIFICATION PS-87761-001 APPLIES.
  - COPLANARITY IS TO BE MEASURED BY RESTING THE SOLDER TAIL ON A GAUGE SURFACE.
  - RECOMMENDED PC BOARD THICKNESS IS 1.60±0.10MM
  - PLATING FINISH:  
0.38um/15uIn MIN GOLD IN CONTACT AREA  
TIN IN SOLDER TAIL AREA,  
BOTH OVER NICKEL.
- HSG : NYLON, GLASS-FILLED, UL94V-0,  
COLOR BLACK.  
PIN : PHOSPHOR BRONZE, SQ. 0.50MM



**RECOMMENDED PCB PATTERN**

EC NO: S2005-0925 DRWNS:SKLIM01 2005/08/01 CHKD:BOKOK 2005/08/05 APPR:PTLIM 2005/08/05	QUALITY SYMBOLS ▽=0 ▽=0	GENERAL TOLERANCES (UNLESS SPECIFIED)		DIMENSION STYLE MM/IN		SCALE NTS	DESIGN UNITS METRIC	THIRD ANGLE PROJECTION	
		4 PLACES ± --- ± --- 3 PLACES ± --- ± --- 2 PLACES ± 0.2 ± --- 1 PLACE ± --- ± --- ANGULAR ± 3 °	DRAWN BY SKLIM01 DATE 2005/05/27	CHECKED BY BOKOK DATE 2005/07/29	APPROVED BY PTLIM DATE 2005/07/29	MATERIAL NO. SEE TABLE		DOCUMENT NO. SD-87762-072	SHEET NO. 1 OF 1
DRAFT WHERE APPLICABLE MUST REMAIN WITHIN DIMENSIONS		THIS DRAWING CONTAINS INFORMATION THAT IS PROPRIETARY TO MOLEX INCORPORATED AND SHOULD NOT BE USED WITHOUT WRITTEN PERMISSION		SALES DRAWING MGRID, 2MM DR HEADER SMT, W/CAP & W/SPACER MOLEX INCORPORATED					

9 8 7 6 5 4 3 2 1