



Chipsmall Limited consists of a professional team with an average of over 10 year of expertise in the distribution of electronic components. Based in Hongkong, we have already established firm and mutual-benefit business relationships with customers from,Europe,America and south Asia,supplying obsolete and hard-to-find components to meet their specific needs.

With the principle of "Quality Parts,Customers Priority,Honest Operation,and Considerate Service",our business mainly focus on the distribution of electronic components. Line cards we deal with include Microchip,ALPS,ROHM,Xilinx,Pulse,ON,Everlight and Freescale. Main products comprise IC,Modules,Potentiometer,IC Socket,Relay,Connector.Our parts cover such applications as commercial,industrial, and automotives areas.

We are looking forward to setting up business relationship with you and hope to provide you with the best service and solution. Let us make a better world for our industry!



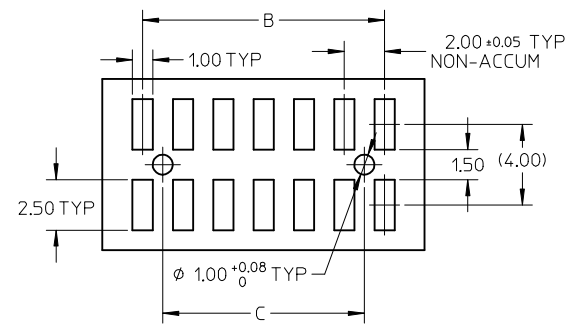
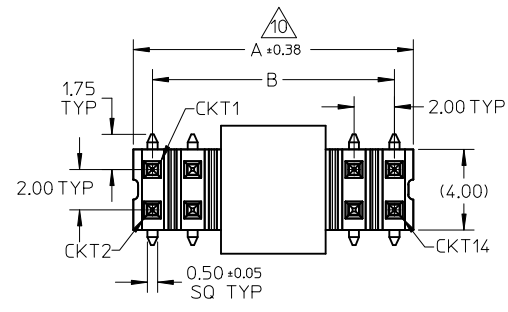
Contact us

Tel: +86-755-8981 8866 Fax: +86-755-8427 6832

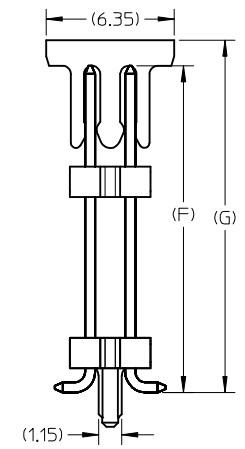
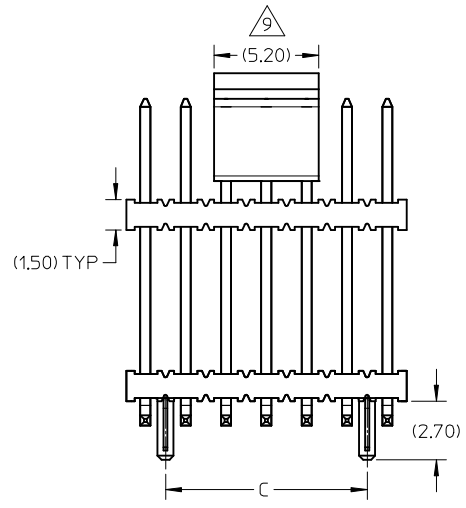
Email & Skype: info@chipsmall.com Web: www.chipsmall.com

Address: A1208, Overseas Decoration Building, #122 Zhenhua RD., Futian, Shenzhen, China

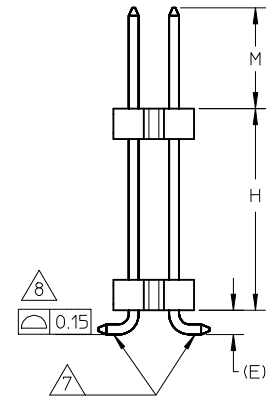




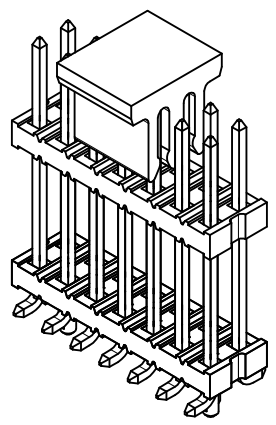
RECOMMENDED PCB LAYOUT



PART WITH PEGS & CAP VERSION



PART WITHOUT PEGS & CAP VERSION

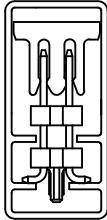
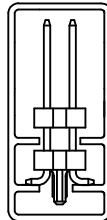
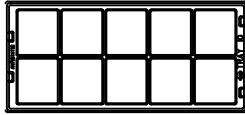
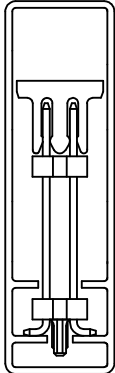
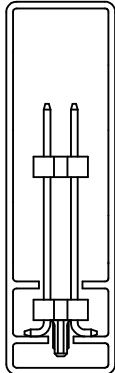
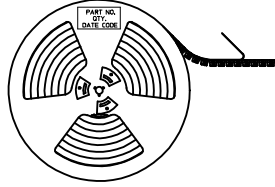


NOTES

1. MATERIAL:
HSG: NYLON, GLASS-FILLED, UL94V-0 COLOR: BLACK
CAP: NYLON, GLASS-FILLED, UL94V-0, COLOR: BLACK
PIN: 0.50MM SQ, COPPER ALLOY
2. PLATING TYPE:
(1) 0.025µm GOLD OVERALL
1.25µm MIN. NICKEL OVERALL.
(2) 0.05 - 0.25µm. GOLD ON CONTACT AND
2.50µm MIN. TIN ON SOLDER TAIL OVER
1.25µm MIN. NICKEL OVERALL.
(3) 0.38µm MIN. GOLD PLATE ON CONTACT AND
2.00µm MIN. TIN ON SOLDER TAIL OVER
1.25µm MIN. NICKEL OVERALL.
(4) 0.75µm MIN. GOLD PLATE ON CONTACT AND
2.00µm MIN. TIN ON SOLDER TAIL OVER
1.25µm MIN. NICKEL OVERALL.
(5) 2.50µm MIN. TIN OVERALL
1.25µm MIN. NICKEL OVERALL
(6) 0.05 - 0.25µm. GOLD OVERALL
1.25µm MIN. NICKEL OVERALL.
3. PRODUCT SPECIFICATION: PS-87761-100
4. PACKAGING TYPE: PLS SEE TABLE
5. PACKAGING SPEC: PLS SEE SHEET 2 AND SHEET 3
6. WAFER TO BE FLAT WITHIN 0.003 mm/mm
7. BEND DEPRESSION IS ACCEPTED SO LONG AS IT DOES NOT AFFECT THE OVERALL COPLANARITY OF TAIL
8. COPLANARITY IS TO BE MEASURED BY RESTING THE SOLDER TAIL ON A FLAT SURFACE
9. CAP LOCATION IS CENTERED ALONG THE MATING ENDS AS SHOWN. TOP SURFACE OF CAP TO BE FLAT FOR THE PURPOSE OF PICK & PLACE BY VACUUM SUCTION NOZZLE
10. IRREGULAR CIRCUIT CUTOFF WITHIN BREAKAWAY SECTION IS PERMISSIBLE. CUTTING OR CHIPPING OF THE MAIN BODY IS NOT ACCEPTABLE
11. RECOMMENDED PCB THICKNESS IS 1.60mm±0.10
12. THE ABOVE CKT 14 IS FOR ILLUSTRATION PURPOSE ONLY
13. TUBE LENGTH AS PER STANDARD 560mm

ADD P/N: 87762-3009 EC NO: S2015-0258 DRWN: CGOH CHKD: ATSEE APPR: KILIM 2014/09/15 2014/10/13 2014/10/13	QUALITY SYMBOLS $F_A=0$ $F_C=0$ $F_B=0$	GENERAL TOLERANCES (UNLESS SPECIFIED)		DIMENSION STYLE MM ONLY		SCALE NTS	DESIGN UNITS METRIC	THIRD ANGLE PROJECTION		
		mm	INCH	DRAWN BY	DATE	TITLE				
		4 PLACES ± ---	± ---	SKLIM01	2006/07/21	CUSTOM HEADER				
		3 PLACES ± ---	± ---	CHECKED BY	DATE	2.00MM PITCH DUAL ROW				
2 PLACES ± 0.2	± ---	CWLAM	2006/10/31	HEADER, DUAL WAFER, SMT						
1 PLACE ± ---	± ---	APPROVED BY	DATE	MOLEX INCORPORATED						
ANGULAR ± 3 °		MLONG	2010/03/08	MATERIAL NO.		DOCUMENT NO.		SHEET NO.		
DRAFT WHERE APPLICABLE MUST REMAIN WITHIN DIMENSIONS		SEE TABLE		SD-87762-175		1 OF 3				
		SIZE	THIS DRAWING CONTAINS INFORMATION THAT IS PROPRIETARY TO MOLEX INCORPORATED AND SHOULD NOT BE USED WITHOUT WRITTEN PERMISSION							

PACKAGING SPECIFICATION OVERVIEW

ITEM	PACKAGING TYPE	PACKAGING SPECIFICATION	PART OVERALL HEIGHT	PART PACKED IN PACKAGING ORIENTATION (FOR REF. USE ONLY)	ITEM	PACKAGING TYPE	PACKAGING SPECIFICATION	PART OVERALL HEIGHT	PART PACKED IN PACKAGING ORIENTATION (FOR REF. USE ONLY)
1	TUBE	PK-89990-475	DIMENSION F/G= <13.3MM	 HEADER WITH CAP IN TUBE  HEADER WITHOUT CAP IN TUBE	3	TRAY	PK-89990-487	DIMENSION F/G= MAX. 40.0MM	
2	TUBE	PK-89990-474	DIMENSION F/G= 13.4MM ~ 23.4MM	 HEADER WITH CAP IN TUBE  HEADER WITHOUT CAP IN TUBE	4	TAPE & REEL	PK-89990-484 (REEL Ø: 330.0 MAX.)	DIMENSION F/G= MAX. 26.0MM	

ADD P/N: 87762-3009 EC NO: S2015-0258 DRWN:CGH 2014/09/15 CHKD:ATSE 2014/10/13 APPR:KHLIM 2014/10/13	REV DESCRIPTION	QUALITY SYMBOLS $F_A=0$ $F_G=0$ $F_P=0$	GENERAL TOLERANCES (UNLESS SPECIFIED)		DIMENSION STYLE MM ONLY		SCALE NTS	DESIGN UNITS METRIC	THIRD ANGLE PROJECTION			
					mm	INCH	DRAWN BY SKLIM01	DATE 2006/07/21	TITLE CUSTOM HEADER 2.00MM PITCH DUAL ROW HEADER, DUAL WAFER, SMT			
							CHECKED BY CWLAM	DATE 2006/10/31				
							ANGULAR ± 3 °		APPROVED BY MLONG	DATE 2010/03/08	MOLEX INCORPORATED DOCUMENT NO. SD-87762-175	
			DRAFT WHERE APPLICABLE MUST REMAIN WITHIN DIMENSIONS		SEE TABLE				SHEET NO. 2 OF 3			
					SIZE A3	THIS DRAWING CONTAINS INFORMATION THAT IS PROPRIETARY TO MOLEX INCORPORATED AND SHOULD NOT BE USED WITHOUT WRITTEN PERMISSION						

CKT SIZE	DIMENSION			PART NO. IN PACKAGING OPTION				CKT SIZE	PEG	PLATE OPT.	DIMENSION					PACKAGING SPECIFICATION (PLS REFER TO SHEET 2)
	A	B	C	TAPE & REEL WITH CAP	TUBE WITH CAP	TUBE WITHOUT CAP	W/O CAP IN TRAY				G	(F)	MATING END	STACKER HEIGHT	SMT HEIGHT	
04	4.00	2.00	-					4	N	3	11.47	10.20	4.40	4.60	1.20	4
06	6.00	4.00	-					8	N	3	11.47	10.20	4.40	4.60	1.20	4
08	8.00	6.00	4.00					6	N	4	13.48	11.86	3.73	6.93	1.20	4
10	10.00	8.00	6.00					-	-	-	-	-	-	-	-	-
12	12.00	10.00	8.00			87762-1007		10	N	3	-	15.45	7.32	6.93	1.20	2
14	14.00	12.00	10.00					14	N	5	11.05	8.70	3.00	4.50	1.20	4
16	16.00	14.00	12.00					14	Y	3	13.27	12.00	4.50	6.30	1.20	4
18	18.00	16.00	14.00			87762-1652		16	Y	3	-	12.90	6.90	4.80	1.20	1
20	20.00	18.00	16.00					16	N	4	11.27	10.00	4.90	3.90	1.20	4
22	22.00	20.00	18.00					16	Y	2	25.65	24.30	4.00	19.10	1.20	4
24	24.00	22.00	20.00			87762-1800		18	Y	3	18.87	17.60	4.52	11.88	1.20	2
26	26.00	24.00	22.00					20	Y	4	9.71	8.44	4.24	3.00	1.20	4
28	28.00	26.00	24.00					20	Y	3	23.85	22.30	3.80	17.30	1.20	4
30	30.00	28.00	26.00			87762-3080		30	N	1	-	13.45	3.35	8.90	1.20	2
32	32.00	30.00	28.00					30	N	1	15.45	13.45	3.35	8.90	1.20	4
34	34.00	32.00	30.00					30	Y	6	19.27	18.00	5.00	11.80	1.20	4
36	36.00	34.00	32.00					30	N	2	16.55	14.20	3.00	10.00	1.20	4
38	38.00	36.00	34.00					40	Y	3	17.65	16.30	3.50	11.60	1.20	4
40	40.00	38.00	36.00													
42	42.00	40.00	38.00													
44	44.00	42.00	40.00													
46	46.00	44.00	42.00													
48	48.00	46.00	44.00													
50	50.00	48.00	46.00													

ADD P/N: 87762-3009 EC NO: S2015-0258 DRWN:CGOH 2014/09/15 CHKD:ATSEE 2014/10/13 APPR:KLLIM 2014/10/13	QUALITY SYMBOLS	GENERAL TOLERANCES (UNLESS SPECIFIED)	DIMENSION STYLE	SCALE	DESIGN UNITS	THIRD ANGLE PROJECTION	
	$F_A=0$ $F_G=0$ $F_P=0$	mm INCH 4 PLACES ± --- ± --- 3 PLACES ± --- ± --- 2 PLACES ± 0.2 ± --- 1 PLACE ± --- ± --- ANGULAR ± 3 °	MM ONLY	NTS	METRIC		
	DESCRIPTION	DRAFT WHERE APPLICABLE MUST REMAIN WITHIN DIMENSIONS	DRAWN BY SKLIM01 CHECKED BY CWLAM APPROVED BY MLONG MATERIAL NO. SEE TABLE	DATE 2006/07/21 DATE 2006/10/31 DATE 2010/03/08	CUSTOM HEADER 2.00MM PITCH DUAL ROW HEADER, DUAL WAFER, SMT MOLEX INCORPORATED		
	REV		SIZE A3	THIS DRAWING CONTAINS INFORMATION THAT IS PROPRIETARY TO MOLEX INCORPORATED AND SHOULD NOT BE USED WITHOUT WRITTEN PERMISSION			