



Chipsmall Limited consists of a professional team with an average of over 10 year of expertise in the distribution of electronic components. Based in Hongkong, we have already established firm and mutual-benefit business relationships with customers from,Europe,America and south Asia,supplying obsolete and hard-to-find components to meet their specific needs.

With the principle of “Quality Parts,Customers Priority,Honest Operation,and Considerate Service”,our business mainly focus on the distribution of electronic components. Line cards we deal with include Microchip,ALPS,ROHM,Xilinx,Pulse,ON,Everlight and Freescale. Main products comprise IC,Modules,Potentiometer,IC Socket,Relay,Connector.Our parts cover such applications as commercial,industrial, and automotives areas.

We are looking forward to setting up business relationship with you and hope to provide you with the best service and solution. Let us make a better world for our industry!



Contact us

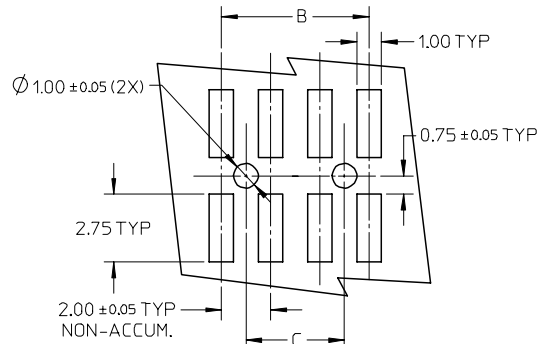
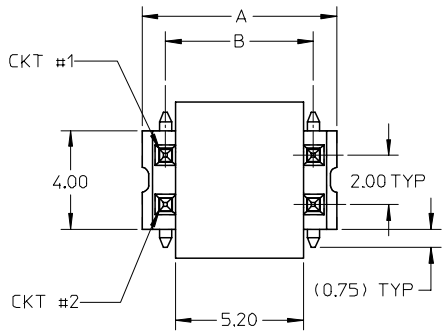
Tel: +86-755-8981 8866 Fax: +86-755-8427 6832

Email & Skype: info@chipsmall.com Web: www.chipsmall.com

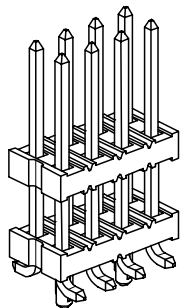
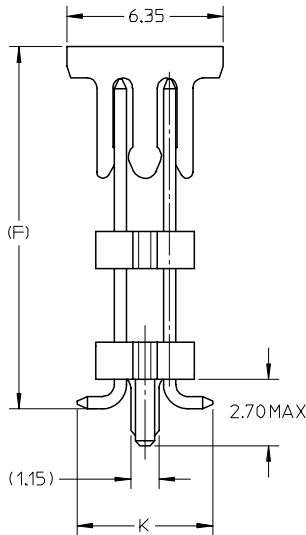
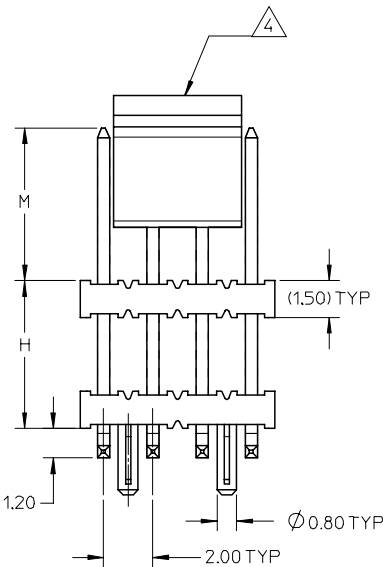
Address: A1208, Overseas Decoration Building, #122 Zhenhua RD., Futian, Shenzhen, China



10 9 8 7 6 5 4 3 2 1



RECOMMENDED P.C.B. LAYOUT



PART NUMBERS	CKT SIZE	VOID POSITION	DIMENSION						PLATING OPTION	PACKAGING TYPE
			A	B	M	H	F	K		
87762-0873	8	----	7.90	6.00	7.62	8.45	--	5.50 ±0.15	3	WITHOUT CAP IN TUBE
87762-0874	8	----	7.90	6.00	7.62	8.45	18.58	5.50 ±0.15	3	WITH CAP IN TUBE
87762-0029	10	----	9.90	8.00	4.50	17.80	--	(5.50)	2	WITHOUT CAP IN TUBE
87762-1000	10	----	9.90	8.00	4.50	17.80	24.81	(5.50)	2	WITH CAP IN TUBE
87762-2600	26	----	25.90	24.00	7.90	11.50	--	(5.50)	1	WITHOUT CAP IN TUBE
87762-2601	26	----	25.90	24.00	7.90	11.50	21.91	(5.50)	1	WITH CAP IN TUBE

NOTES:

- MATERIAL: HOUSING: NYLON (4/6), UL94V-0, COLOR: BLACK
PIN: COPPER ALLOY, SQ, 0.50MM
- PLATING FINISH:
 - 15-25μ INCHES MIN GOLD PLATE IN SELECTED AREA AND 120-200μ INCHES MIN TIN ON SOLDER TAIL OVER 50-70μ INCHES MIN NICKEL UNDERPLATE OVERALL.
 - 120μ INCHES MIN TIN OVERALL
50μ INCHES MIN NICKEL UNDERPLATE OVERALL.
 - 15μ INCHES MIN GOLD PLATE IN SELECTED AREA AND 75μ INCHES MIN TIN ON SOLDER TAIL OVER 50μ INCHES MIN NICKEL UNDERPLATE OVERALL.
- PIN PUSHOUT FORCE: 1KG MIN IN EITHER DIRECTION.
- △ CAP TO BE LOCATED AS CENTRAL OF PART AS POSSIBLE
- THE ABOVE 8CKTS SHOWN IS FOR ILLUSTRATION ONLY.
- FOR PACKING OPTION PLEASE REFER TO THE TABLE.
- HEADER MAY BE BROKEN TO DESIRE CKT SIZE.
SLIGHTLY FLASHES SHOULD BE ACCEPTED.
- PACKAGING SPECIFICATION: PK-89990-474

EWR# 1002	EC NO: S2007-0080	2006/12/21	QUALITY SYMBOLS
	DRWN:SKLIM01	2006/12/21	
	CHKD:CWLM	2006/12/22	▽=0
	APPR:KWLEE	2006/12/26	∇=0
REV	DESCRIPTION		

GENERAL TOLERANCES (UNLESS SPECIFIED)		DIMENSION STYLE		SCALE	DESIGN UNITS	THIRD ANGLE PROJECTION	
		MM ONLY		NTS	METRIC		
	mm	INCH	DRAWN BY	DATE	TITLE		
4 PLACES	± ---	± ---	YLQ1A0	2004/12/10	CUSTOM HEADER 2.00MM PITCH, WITH PEG DUAL ROW DUAL WAFER, SMT		
3 PLACES	± ---	± ---	CHECKED BY	DATE			
2 PLACES	± 0.2	± ---	PTL IM	2004/12/28	MOLEX INCORPORATED		
1 PLACE	± ---	± ---	APPROVED BY	DATE			
ANGULAR ± 3 °		SCLOW		2004/12/28	DOCUMENT NO.		
DRAFT WHERE APPLICABLE MUST REMAIN WITHIN DIMENSIONS		SEE TABLE		SD-87762-135		SHEET NO. 1 OF 1	

MATERIAL NO.		DOCUMENT NO.		SHEET NO.	
		SD-87762-135		1 OF 1	
THIS DRAWING CONTAINS INFORMATION THAT IS PROPRIETARY TO MOLEX INCORPORATED AND SHOULD NOT BE USED WITHOUT WRITTEN PERMISSION					

9 8 7 6 5 4 3 2 1