



Chipsmall Limited consists of a professional team with an average of over 10 year of expertise in the distribution of electronic components. Based in Hongkong, we have already established firm and mutual-benefit business relationships with customers from,Europe,America and south Asia,supplying obsolete and hard-to-find components to meet their specific needs.

With the principle of “Quality Parts,Customers Priority,Honest Operation,and Considerate Service”,our business mainly focus on the distribution of electronic components. Line cards we deal with include Microchip,ALPS,ROHM,Xilinx,Pulse,ON,Everlight and Freescale. Main products comprise IC,Modules,Potentiometer,IC Socket,Relay,Connector.Our parts cover such applications as commercial,industrial, and automotives areas.

We are looking forward to setting up business relationship with you and hope to provide you with the best service and solution. Let us make a better world for our industry!



## Contact us

Tel: +86-755-8981 8866 Fax: +86-755-8427 6832

Email & Skype: info@chipsmall.com Web: www.chipsmall.com

Address: A1208, Overseas Decoration Building, #122 Zhenhua RD., Futian, Shenzhen, China



10 9 8 7 6 5 4 3 2 1

F

E

D

C

B

A

NOTES:

1. MATERIALS

HOUSING - HIGH TEMP. NYLON GLASS FILLED, UL 94V-0,  
COLOR: BLACK

EJECTORS - HIGH TEMP. NYLON GLASS FILLED, UL 94V-0,  
COLOR: NATURAL (OFF WHITE)

TERMINALS - COPPER ALLOY

2. PLATING - SEE TABLE IN SHEET 5.

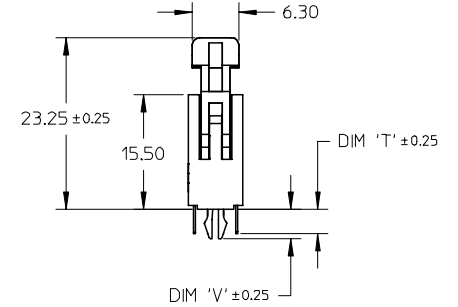
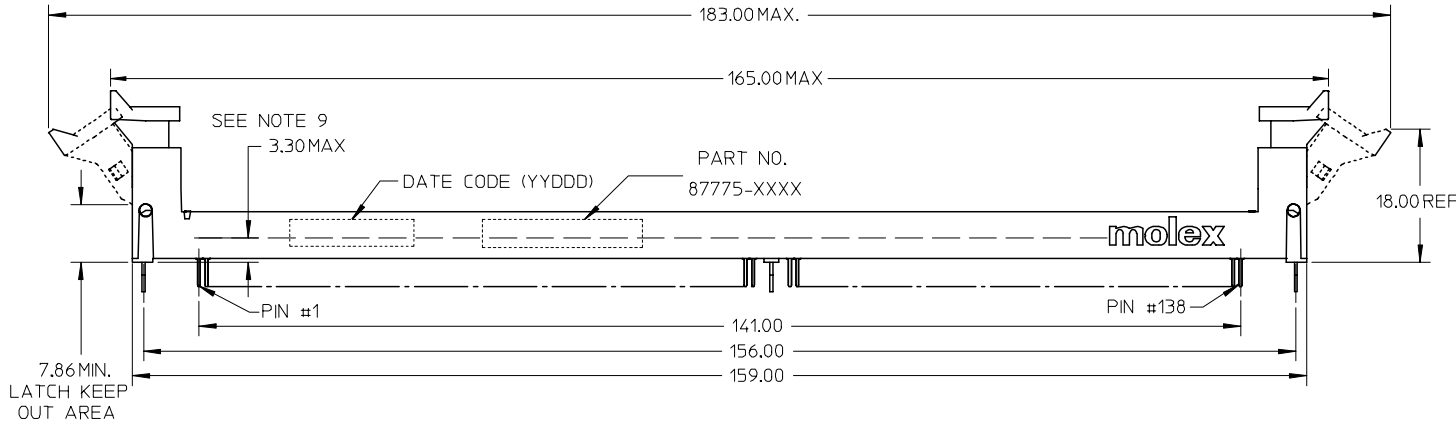
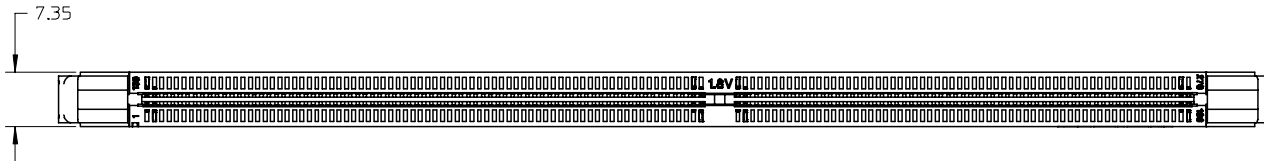
3. CARD SLOT ACCEPTS 1.27±0.10MM MODULE  
THICKNESS. (MEASURED OVER P.C. PADS)

4. RECOMMENDED MODULE LAYOUT SHALL BE AS PER SHEET 3.  
5. REFER TO PRODUCT SPEC. PS-87775-018 FOR PERFORMANCE  
SPECIFICATIONS.

6. PRODUCT IS PACKED IN TRAYS. REFER TO SHEET 6.

7. PRODUCT WILL HAVE DATE STAMPED ON SIDE OF HOUSING.  
8. THE KEEP OUT AREA IS THE AREA WHERE THE CONNECTOR  
IS MOUNTED ONTO THE PCB THAT DOES NOT INCLUDE THE  
LATCH.

9. DIMM MODULE SEATING PLANE FROM TOP OF PCB.



UPDATE HSG VIEW	EC NO: S2007-1012	2007/05/21	QUALITY SYMBOLS
	DRWN:CMTEO	2007/05/21	
	CHKD:CCTEH	2007/05/21	
	APPR:SHLENI	2007/05/21	
A1	REV	DESCRIPTION	

▽=0
∇=0

GENERAL TOLERANCES (UNLESS SPECIFIED)		
	mm	INCH
4 PLACES	± ---	± ---
3 PLACES	± ---	± ---
2 PLACES	± 0.20	± ---
1 PLACE	± ---	± ---
ANGULAR ± 5 °		
DRAFT WHERE APPLICABLE MUST REMAIN WITHIN DIMENSIONS		

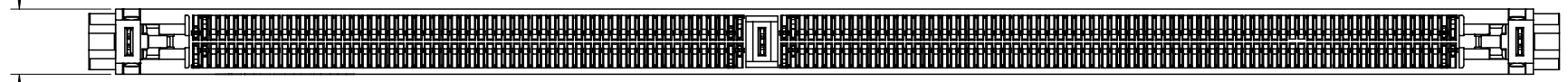
DIMENSION STYLE	
MM ONLY	
DRAWN BY	DATE
CMTEO	2007/02/23
CHECKED BY	DATE
CCTEH	2007/04/03
APPROVED BY	DATE
SHLENI	2007/04/03
MATERIAL NO.	
SEE TABLE	
SIZE	A3

SCALE	NTS	DESIGN UNITS	METRIC	THIRD ANGLE PROJECTION
TITLE		DDR2 DIMM, 1.00MM PITCH 276 CKTS, VERTICAL T/H FORK-LOCK		
MOLEX INCORPORATED		SHEET NO. 1 OF 6		
DOCUMENT NO.		SD-87775-002		
THIS DRAWING CONTAINS INFORMATION THAT IS PROPRIETARY TO MOLEX INCORPORATED AND SHOULD NOT BE USED WITHOUT WRITTEN PERMISSION				

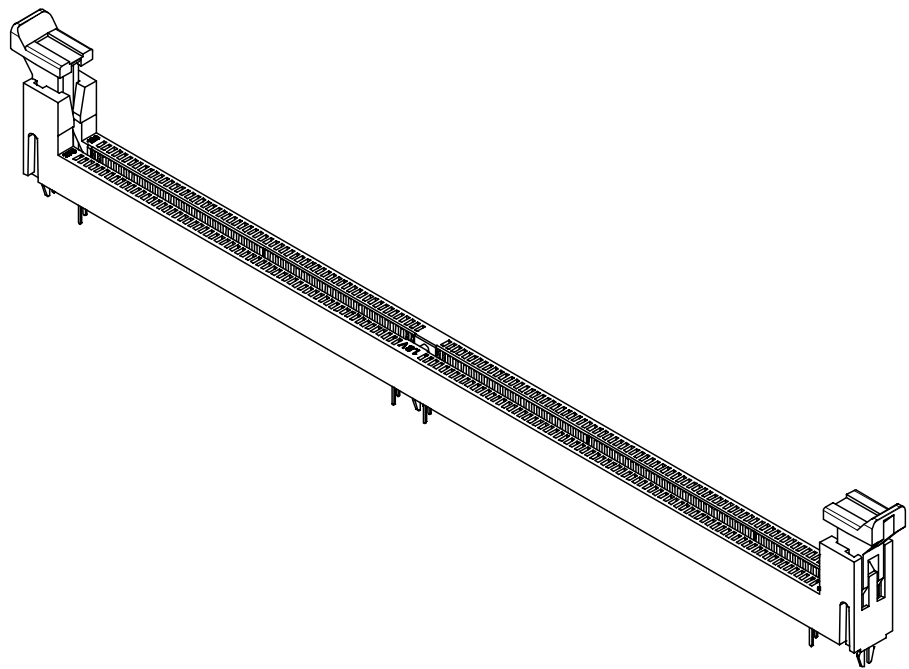
9 8 7 6 5 4 3 2 1

10 9 8 7 6 5 4 3 2 1

F  
7.35



E



D

C

B

A

UPDATE HSG VIEW	2007/05/21
EC NO: S2007-1012	2007/05/21
DRWN:CMTEO	2007/05/21
CHKD:CCTEH	2007/05/21
APPR:SHLENI	2007/05/21
REV	DESCRIPTION
A1	

QUALITY SYMBOLS	$\nabla=0$
	$\triangle=0$

GENERAL TOLERANCES (UNLESS SPECIFIED)		
	mm	INCH
4 PLACES	$\pm$ ---	$\pm$ ---
3 PLACES	$\pm$ ---	$\pm$ ---
2 PLACES	$\pm 0.20$	$\pm$ ---
1 PLACE	$\pm$ ---	$\pm$ ---
ANGULAR $\pm 5^\circ$		
DRAFT WHERE APPLICABLE MUST REMAIN WITHIN DIMENSIONS		

DIMENSION STYLE	
MM ONLY	
DRAWN BY	DATE
CMTEO	2007/02/23
CHECKED BY	DATE
CCTEH	2007/04/03
APPROVED BY	DATE
SHLENI	2007/04/03
MATERIAL NO.	
SEE TABLE	
SIZE	
A3	

SCALE	DESIGN UNITS	THIRD ANGLE PROJECTION
NTS	METRIC	
TITLE		MOLEX INCORPORATED
DDR2 DIMM, 1.00MM PITCH 276 CKTS, VERTICAL T/H FORK-LOCK		
DOCUMENT NO.		SHEET NO.
SD-87775-002		2 OF 6
THIS DRAWING CONTAINS INFORMATION THAT IS PROPRIETARY TO MOLEX INCORPORATED AND SHOULD NOT BE USED WITHOUT WRITTEN PERMISSION		

9 8 7 6 5 4 3 2 1

10 9 8 7 6 5 4 3 2 1

F F

E E

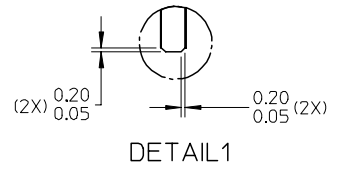
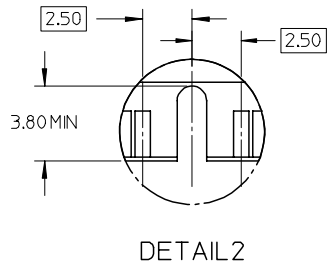
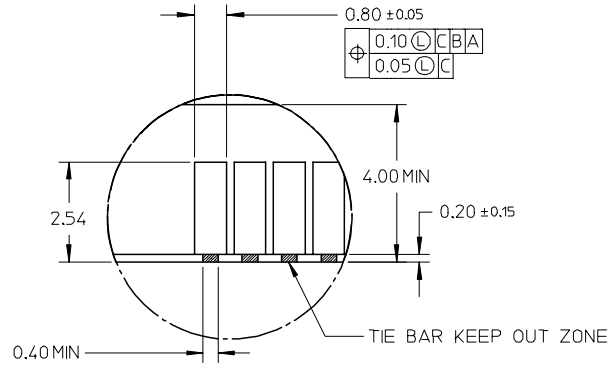
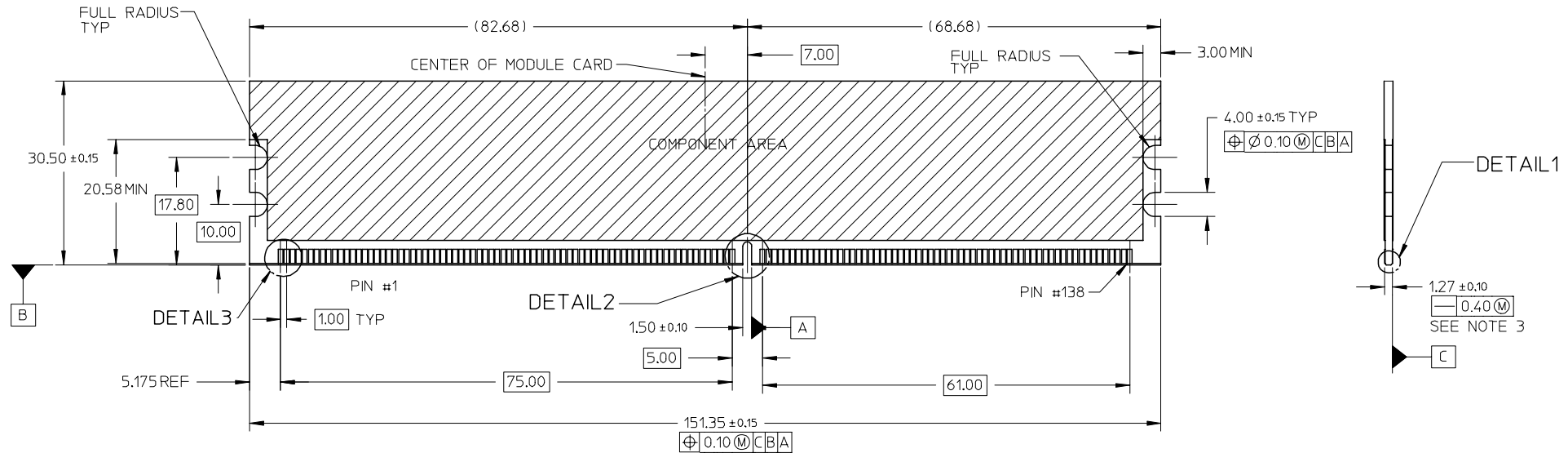
D D

C C

B B

A A

RECOMMENDED MODULE LAYOUT



NOTES:  
1. MODULE CARD USED FOR TESTS ARE WITH 0.10MM CHAMFER.

UPDATE HSG VIEW EC NO: S2007-1012 2007/05/21 DRWN:CMTEO 2007/05/21 CHKD:CCTEH 2007/05/21 APPR:SHLENI 2007/05/21	QUALITY SYMBOLS ▽=0 ∇=0	GENERAL TOLERANCES (UNLESS SPECIFIED)		DIMENSION STYLE MM ONLY		SCALE NTS	DESIGN UNITS METRIC	THIRD ANGLE PROJECTION	
		4 PLACES ± --- ± ---	3 PLACES ± --- ± ---	2 PLACES ± 0.20 ± ---	1 PLACE ± --- ± ---	ANGULAR ± 5 °	DRAWN BY CMTEO	DATE 2007/02/23	TITLE DDR2 DIMM, 100MM PITCH 276 CKTS, VERTICAL T/H FORK-LOCK
A1	REV	DRAFT WHERE APPLICABLE MUST REMAIN WITHIN DIMENSIONS		SEE TABLE		MOLEX INCORPORATED		SHEET NO. 3 OF 6	
		MATERIAL NO.		DOCUMENT NO.		SD-87775-002		INCORPORATED AND SHOULD NOT BE USED WITHOUT WRITTEN PERMISSION	

9 8 7 6 5 4 3 2 1

10 9 8 7 6 5 4 3 2 1

F

E

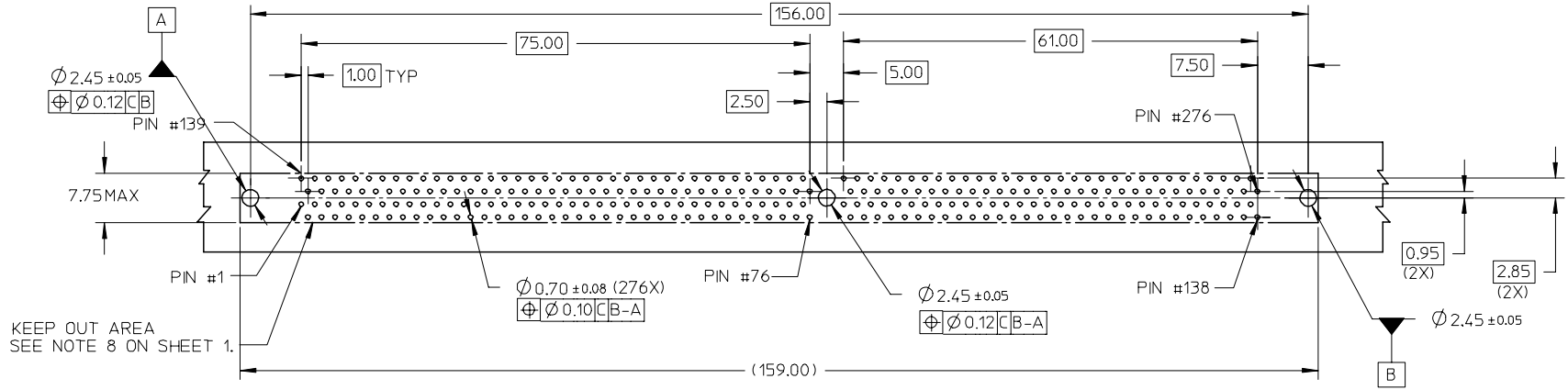
D

C

B

A

RECOMMENDED PCB LAYOUT  
CONNECTOR SIDE  
(SEE RECOMMENDED PCB THICKNESS IN TABLE)



KEEP OUT AREA  
SEE NOTE 8 ON SHEET 1.

C

UPDATE HSG VIEW	2007/05/21
EC NO: S2007-1012	2007/05/21
DRWN:CMTEO	2007/05/21
CHKD:CCTEH	2007/05/21
APPR:SHLENI	2007/05/21
REV	DESCRIPTION
A1	

QUALITY SYMBOLS	▽=0
	∇=0

GENERAL TOLERANCES (UNLESS SPECIFIED)		
	mm	INCH
4 PLACES	± ---	± ---
3 PLACES	± ---	± ---
2 PLACES	± 0.20	± ---
1 PLACE	± ---	± ---
ANGULAR ± 5 °		
DRAFT WHERE APPLICABLE MUST REMAIN WITHIN DIMENSIONS		

DIMENSION STYLE MM ONLY	
DRAWN BY	DATE
CMTEO	2007/02/23
CHECKED BY	DATE
CCTEH	2007/04/03
APPROVED BY	DATE
SHLENI	2007/04/03
MATERIAL NO.	
SEE TABLE	
SIZE	A3

SCALE NTS	DESIGN UNITS METRIC	THIRD ANGLE PROJECTION
TITLE DDR2 DIMM, 1.00MM PITCH 276 CKTS, VERTICAL T/H FORK-LOCK		
MOLEX INCORPORATED		
DOCUMENT NO. SD-87775-002	SHEET NO. 4 OF 6	
THIS DRAWING CONTAINS INFORMATION THAT IS PROPRIETARY TO MOLEX INCORPORATED AND SHOULD NOT BE USED WITHOUT WRITTEN PERMISSION		

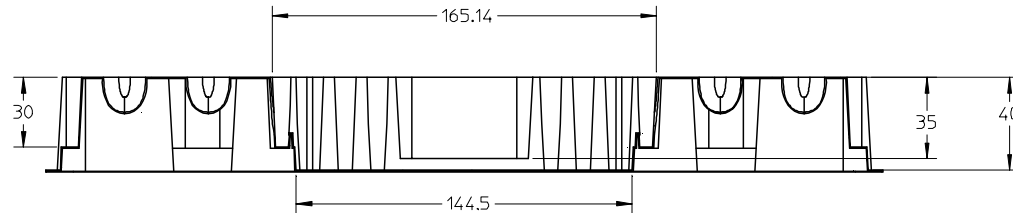
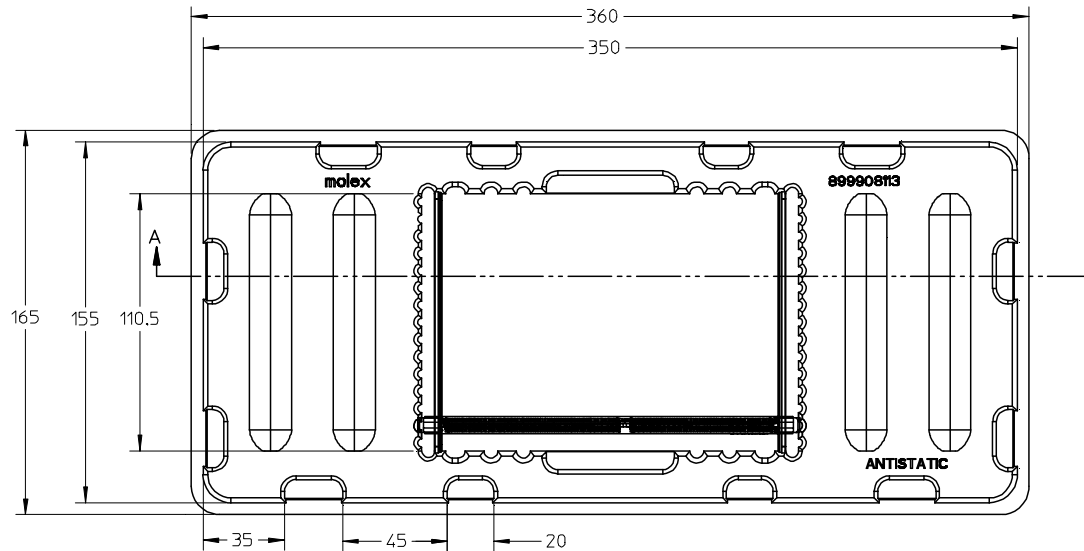
9 8 7 6 5 4 3 2 1

10 9 8 7 6 5 4 3 2 1

PART NO	KEY POS.	DIM 'T'	DIM 'V'	RECOMMENDED PCB THICKNESS	PLATING
87775-1001	CENTER	2.67	3.94	1.57	0.76μM/ 30μIN MIN. GOLD ON CONTACT, 2.54μM/ 100μIN MIN. TIN ON SOLDERTAILS 1.27μM/50μIN MIN. NICKEL UNDERPLATE
87775-1011		3.18		2.36	
87775-1101		4.00	4.42	3.00	

UPDATE HSG VIEW EC NO: S2007-1012 DRWN:CMTEO CHKD:CCTEH APPR:SHLENI	2007/05/21 2007/05/21 2007/05/21	QUALITY SYMBOLS ▽=0 ◻=0	GENERAL TOLERANCES (UNLESS SPECIFIED)		DIMENSION STYLE MM ONLY		SCALE NTS	DESIGN UNITS METRIC	THIRD ANGLE PROJECTION		
			4 PLACES ± --- ± ---	DRAWN BY CMTEO	DATE 2007/02/23	TITLE DDR2 DIMM, 1.00MM PITCH 276 CKTS, VERTICAL T/H FORK-LOCK					
			3 PLACES ± --- ± ---	CHECKED BY CCTEH	DATE 2007/04/03	MOLEX INCORPORATED					
			2 PLACES ± 0.20 ± ---	APPROVED BY SHLENI	DATE 2007/04/03	MATERIAL NO. SEE TABLE	DOCUMENT NO. SD-87775-002	SHEET NO. 5 OF 6			
		1 PLACE ± --- ± ---	ANGULAR ± 5 °		DRAFT WHERE APPLICABLE MUST REMAIN WITHIN DIMENSIONS		THIS DRAWING CONTAINS INFORMATION THAT IS PROPRIETARY TO MOLEX INCORPORATED AND SHOULD NOT BE USED WITHOUT WRITTEN PERMISSION				
A1		REV									

9 8 7 6 5 4 3 2 1



SECTION A-A

NOTE:

1. CAVITY QTY : 1 X 15 = 15PCS.

UPDATE HSG VIEW EC NO: S2007-1012 DRWN:CMTEO CHKD:CCTEH APPR:SHLENI	2007/05/21 2007/05/21 2007/05/21	QUALITY SYMBOLS ▽=0 ◻=0	GENERAL TOLERANCES (UNLESS SPECIFIED)		DIMENSION STYLE MM ONLY		SCALE NTS	DESIGN UNITS METRIC	THIRD ANGLE PROJECTION		
			4 PLACES ± --- ± ---	DRAWN BY CMTEO	DATE 2007/02/23	TITLE DDR2 DIMM, 100MM PITCH 276 CKTS, VERTICAL T/H FORK-LOCK					
			3 PLACES ± --- ± ---	CHECKED BY CCTEH	DATE 2007/04/03	MOLEX INCORPORATED					
			2 PLACES ± 0.20 ± ---	APPROVED BY SHLENI	DATE 2007/04/03	MATERIAL NO. SEE TABLE	DOCUMENT NO. SD-87775-002	SHEET NO. 6 OF 6			
		1 PLACE ± --- ± ---	ANGULAR ± 5 °		DRAFT WHERE APPLICABLE MUST REMAIN WITHIN DIMENSIONS		SIZE A3		THIS DRAWING CONTAINS INFORMATION THAT IS PROPRIETARY TO MOLEX INCORPORATED AND SHOULD NOT BE USED WITHOUT WRITTEN PERMISSION		