



Chipsmall Limited consists of a professional team with an average of over 10 year of expertise in the distribution of electronic components. Based in Hongkong, we have already established firm and mutual-benefit business relationships with customers from,Europe,America and south Asia,supplying obsolete and hard-to-find components to meet their specific needs.

With the principle of "Quality Parts,Customers Priority,Honest Operation,and Considerate Service",our business mainly focus on the distribution of electronic components. Line cards we deal with include Microchip,ALPS,ROHM,Xilinx,Pulse,ON,Everlight and Freescale. Main products comprise IC,Modules,Potentiometer,IC Socket,Relay,Connector.Our parts cover such applications as commercial,industrial, and automotives areas.

We are looking forward to setting up business relationship with you and hope to provide you with the best service and solution. Let us make a better world for our industry!



Contact us

Tel: +86-755-8981 8866 Fax: +86-755-8427 6832

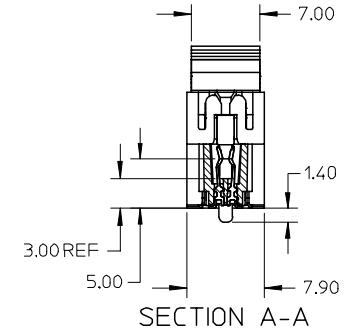
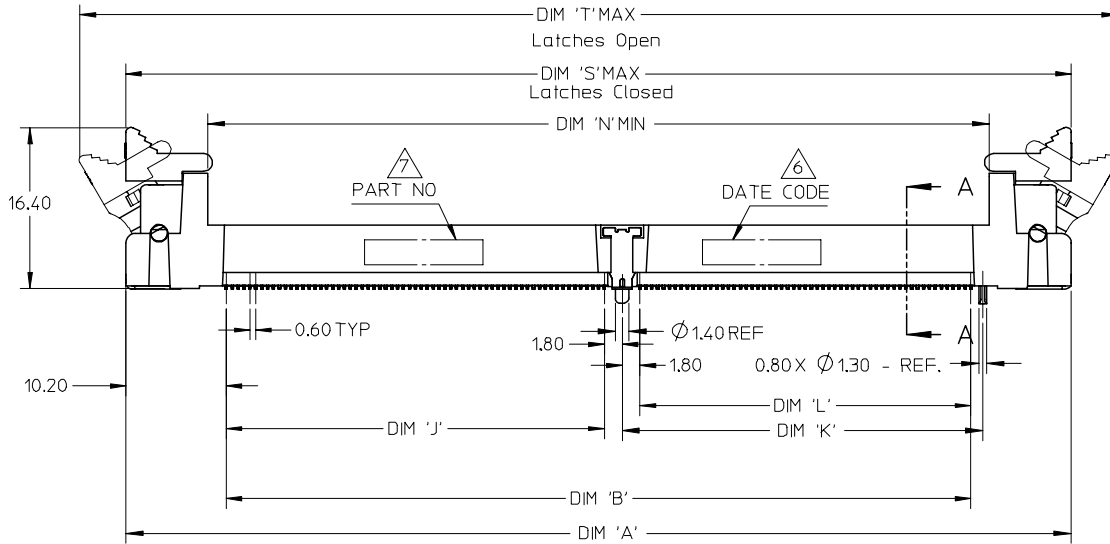
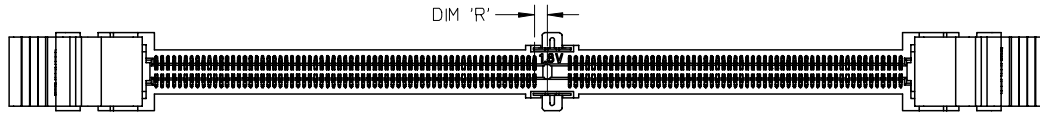
Email & Skype: info@chipsmall.com Web: www.chipsmall.com

Address: A1208, Overseas Decoration Building, #122 Zhenhua RD., Futian, Shenzhen, China



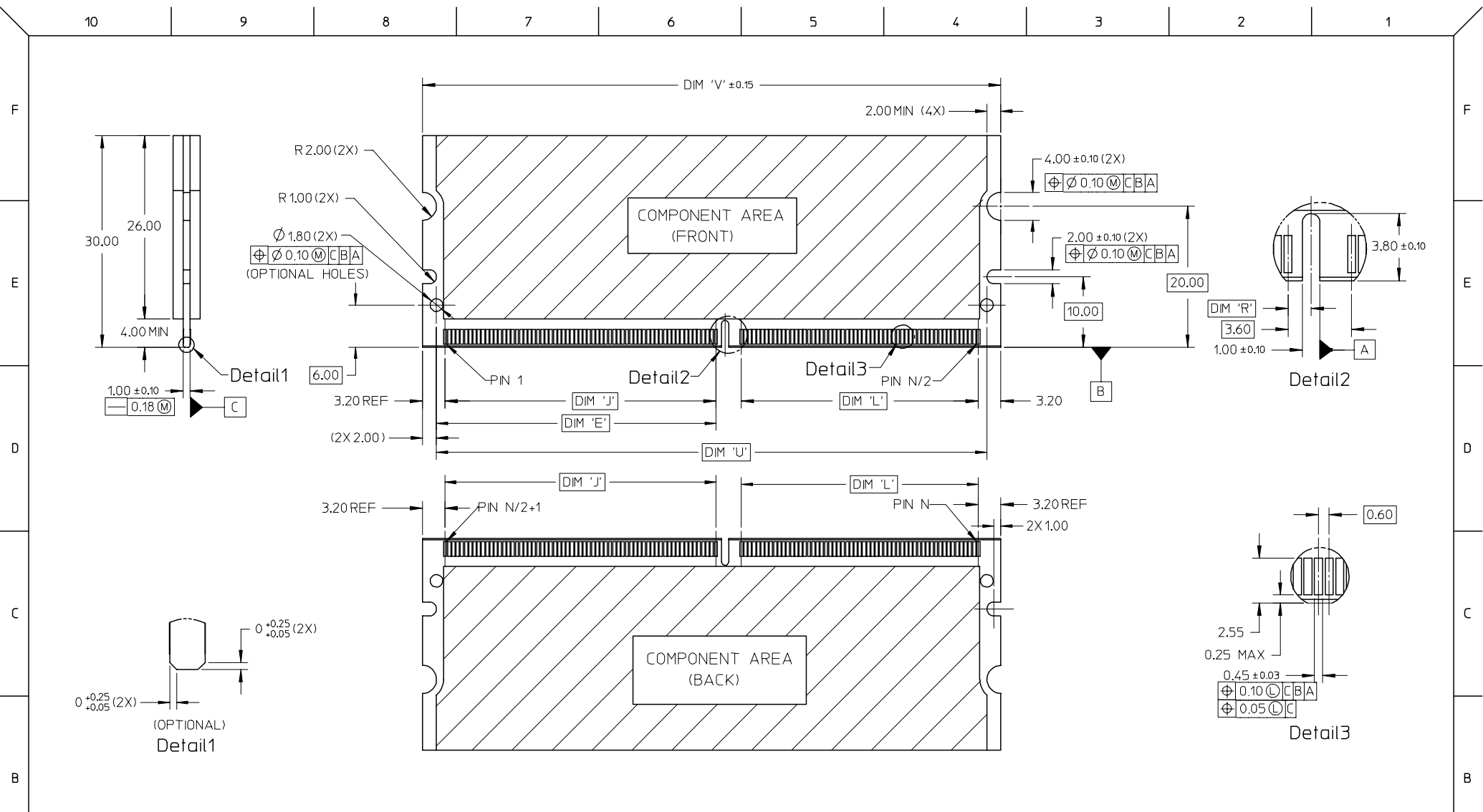
10 9 8 7 6 5 4 3 2 1

- NOTES :
- MATERIAL :
HOUSING : LIQUID CRYSTAL POLYMER, GLASS FILLED, UL 94V-0, COLOUR : BLACK
CONTACTS : COPPER ALLOY
LATCHES : HIGH TEMPERATURE NYLON, UL 94V-0 COLOUR : NATURAL (OFF-WHITE)
 - FINISH
CONTACT AREA : 0.76 MICROMETER (30 MICROINCH) MIN GOLD OVER
1.25 MICROMETER (50 MICROINCH) MIN NICKEL
SMT TAIL : 2.54 MICROMETER (100 MICROINCH) MIN TIN OVER
1.25 MICROMETER (50 MICROINCH) MIN NICKEL.
 - ACCEPTS 1.0 mm THICK MEMORY MODULE PER JEDEC MO-244 FOR 244 CKTS AND MO-258 FOR 200 CKTS.
 - PRODUCT SPECIFICATION : PS-87782-027
 - PRODUCT SHALL BE PACKED IN TRAY. PLS REFER TO SHEET 5
 - DATE CODE SHALL BE MARKED LEGIBLY AS SHOWN : YYDD
 - PART NUMBER SHALL BE MARKED LEGIBLY AS SHOWN. 87782-XXXX (REFER TO TABLE)

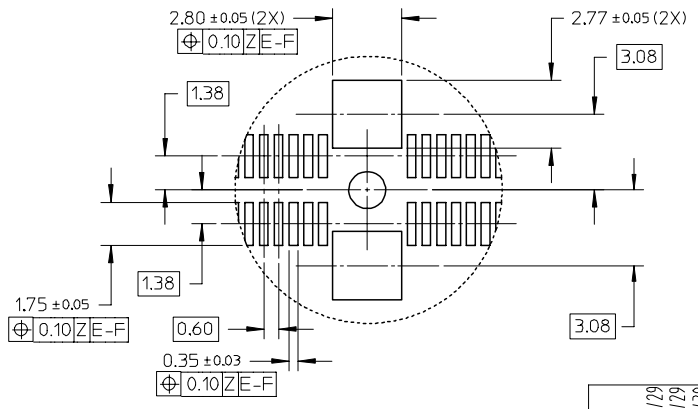
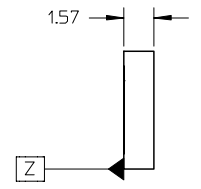
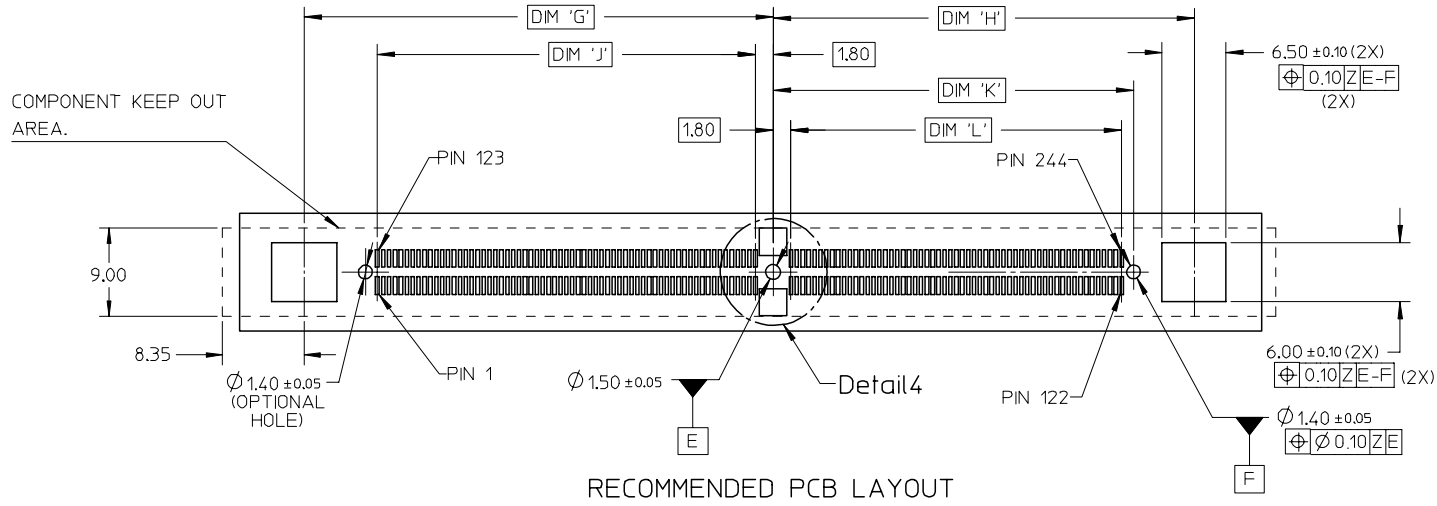


REVISE DESIGN EC NO: S2008-0403 DRWN: TYANG01 CHKD: CGTAN APPR: SILENI	2007/11/29 2007/11/29 2007/11/30	QUALITY SYMBOLS ▽=0 ▽=0	GENERAL TOLERANCES (UNLESS SPECIFIED)		DIMENSION STYLE	SCALE	DESIGN UNITS	THIRD ANGLE PROJECTION		
					MM ONLY	NTS	METRIC			
					MM	INCH				
					4 PLACES ± ---	± ---	DRAWN BY DATE		TITLE	
		3 PLACES ± ---	± ---	MLONG 2003/01/07		MINI DIMM, 0.60MM PITCH				
		2 PLACES ± 0.13	± ---	CHECKED BY DATE		2003/07/16				
		1 PLACE ± 0.25	± ---	PTL IM 2003/07/16						
		ANGULAR ± 1 °		APPROVED BY DATE		MOLEX INCORPORATED				
		DRAFT WHERE APPLICABLE MUST REMAIN WITHIN DIMENSIONS		SKTOH 2003/07/17		DOCUMENT NO.		SHEET NO.		
				SEE TABLE		SD-87782-001		1 OF 5		
				THIS DRAWING CONTAINS INFORMATION THAT IS PROPRIETARY TO MOLEX INCORPORATED AND SHOULD NOT BE USED WITHOUT WRITTEN PERMISSION						

9 8 7 6 5 4 3 2 1



REVISE DESIGN EC NO: S2008-0403 DRWN: TYANG01 CHKD: CGTAN APPR: SILENI	2007/11/29 2007/11/29 2007/11/30	QUALITY SYMBOLS ▽=0 ▽=0	GENERAL TOLERANCES (UNLESS SPECIFIED)		DIMENSION STYLE MM ONLY		SCALE NTS	DESIGN UNITS METRIC	THIRD ANGLE PROJECTION				
			4 PLACES ± --- ± ---	3 PLACES ± --- ± ---	2 PLACES ± 0.13 ± ---	1 PLACE ± 0.25 ± ---	ANGULAR ± 1 °	DRAWN BY MLONG	DATE 2003/01/07	TITLE MINI DIMM, 0.60MM PITCH 200/244 CKTS, VERTICAL			
								CHECKED BY PTL IM	DATE 2003/07/16	APPROVED BY SKTOH			
								DATE 2003/07/17	MOLEX INCORPORATED				
					MATERIAL NO.		DOCUMENT NO.		SHEET NO.				
DRAFT WHERE APPLICABLE MUST REMAIN WITHIN DIMENSIONS					SEE TABLE		SD-87782-001		2 OF 5				
THIS DRAWING CONTAINS INFORMATION THAT IS PROPRIETARY TO MOLEX INCORPORATED AND SHOULD NOT BE USED WITHOUT WRITTEN PERMISSION													

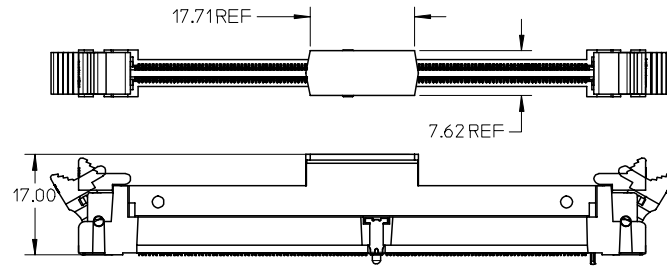


Detail 4

REVISE DESIGN EC NO: S2008-0403 DRWN: TYANG01 CHKD: CGTAN APPR: SILENI	DESCRIPTION 2007/11/29 2007/11/29 2007/11/30	QUALITY SYMBOLS	GENERAL TOLERANCES (UNLESS SPECIFIED)		DIMENSION STYLE		SCALE	DESIGN UNITS	THIRD ANGLE PROJECTION	
		$\nabla = 0$ $\nabla C = 0$			MM ONLY		NTS	METRIC		
					DRAWN BY DATE		TITLE			
					MLONG 2003/01/07		MINI DIMM, 0.60MM PITCH 200/244 CKTS, VERTICAL			
					CHECKED BY DATE		MOLEX		MOLEX INCORPORATED	
					PTL IM 2003/07/16		DOCUMENT NO.		SHEET NO.	
					APPROVED BY DATE		SD-87782-001		3 OF 5	
					SKTOH 2003/07/17					
					MATERIAL NO.					
			DRAFT WHERE APPLICABLE MUST REMAIN WITHIN DIMENSIONS		SEE TABLE					
					SIZE A3		THIS DRAWING CONTAINS INFORMATION THAT IS PROPRIETARY TO MOLEX INCORPORATED AND SHOULD NOT BE USED WITHOUT WRITTEN PERMISSION			

10 9 8 7 6 5 4 3 2 1

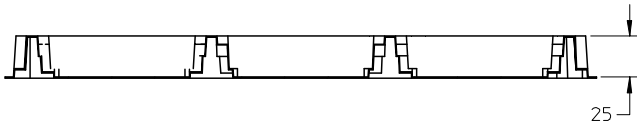
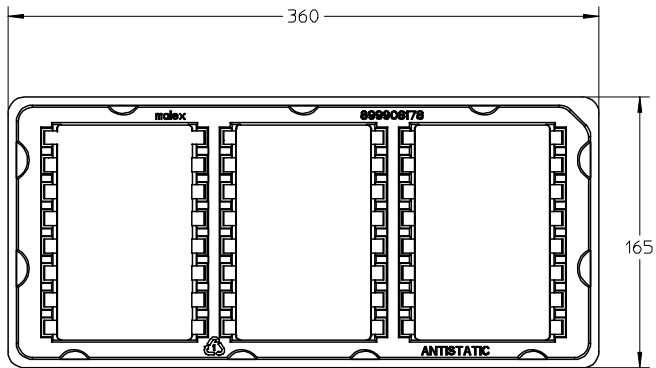
FOR OPTIONS WITH COVER



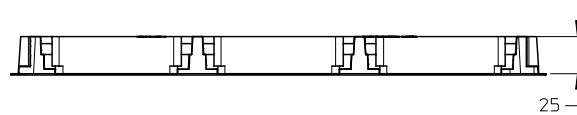
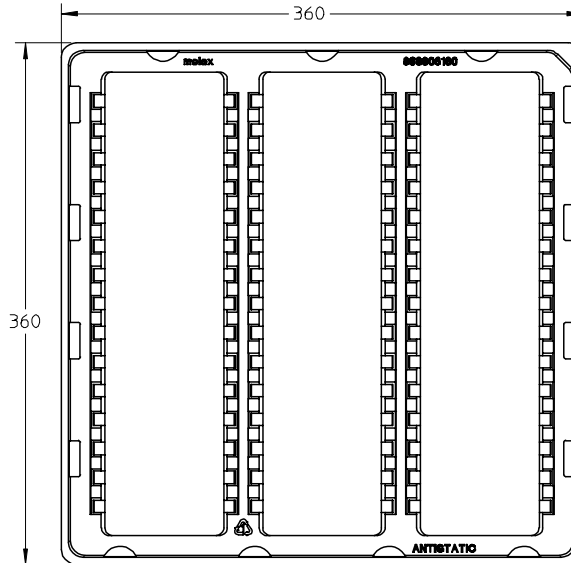
CKT SIZE 'N'	PART NUMBER	VOLTAGE KEY	DIM 'R'	DIM 'J'	DIM 'K'	DIM 'L'	DIM 'N'	DIM 'A'	DIM 'S'	DIM 'T'	DIM 'E'	DIM 'U'	DIM 'V'	DIM 'G'	DIM 'H'	DIM 'B'	COVER	TRAY
244	87782-2001	1.8 V	1.30	38.40	36.60	33.60	79.00	96.00	96.00	106.20	39.60	78.00	82.00	47.60	42.75	75.60	NIL	TYPE A
	87782-2002	2.5 V	2.30															
244	87782-2003	1.8 V	1.30	38.40	36.60	33.60	79.00	96.00	96.00	106.20	39.60	78.00	82.00	47.60	42.75	75.60	YES	TYPE B
	87782-2004	2.5 V	2.30															
244	87782-2005	1.8 V	1.30	38.40	36.60	33.60	79.00	96.00	96.00	106.20	39.60	78.00	82.00	47.60	42.75	75.60	YES	TYPE A
	87782-2006	2.5 V	2.30															
244	87782-2007	1.8 V	1.30	38.40	36.60	33.60	79.00	96.00	96.00	106.20	39.60	78.00	82.00	47.60	42.75	75.60	YES	TYPE C
	87782-2008	2.5 V	2.30															
244	87782-2009	1.8 V	1.30	38.40	36.60	33.60	79.00	96.00	96.00	106.20	39.60	78.00	82.00	47.60	42.75	75.60	YES	TYPE D
	87782-2010	2.5 V	2.30															
200	87782-2201	1.8 V	1.30	23.40	38.40	35.40	65.80	82.80	82.80	93.00	24.60	64.80	68.80	32.60	44.55	62.40	NIL	TYPE A
	87782-2202	2.5 V	2.30															
200	87782-2203	1.8 V	1.30	23.40	38.40	35.40	65.80	82.80	82.80	93.00	24.60	64.80	68.80	32.60	44.55	62.40	YES	TYPE A
	87782-2204	2.5 V	2.30															

REVISE DESIGN EC NO: S2008-0403 DRWN: TYANG01 2007/11/29 CHKD: CGTAN 2007/11/29 APPR: SHLENI 2007/11/30	QUALITY SYMBOLS ▽=0 ▽=0	GENERAL TOLERANCES (UNLESS SPECIFIED)		DIMENSION STYLE MM ONLY		SCALE NTS	DESIGN UNITS METRIC	THIRD ANGLE PROJECTION		
		4 PLACES ± --- ± --- 3 PLACES ± --- ± --- 2 PLACES ± 0.13 ± --- 1 PLACE ± 0.25 ± ---		mm INCH		DRAWN BY DATE MLONG 2003/01/07		TITLE MINI DIMM, 0.60MM PITCH 200/244 CKTS, VERTICAL		
		ANGULAR ± 1 °		APPROVED BY DATE PTL IM 2003/07/16		APPROVED BY DATE SKTOH 2003/07/17		MOLEX INCORPORATED		
		DRAFT WHERE APPLICABLE MUST REMAIN WITHIN DIMENSIONS		SEE TABLE		MATERIAL NO. DOCUMENT NO. SD-87782-001		SHEET NO. 4 OF 5		

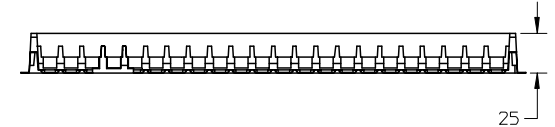
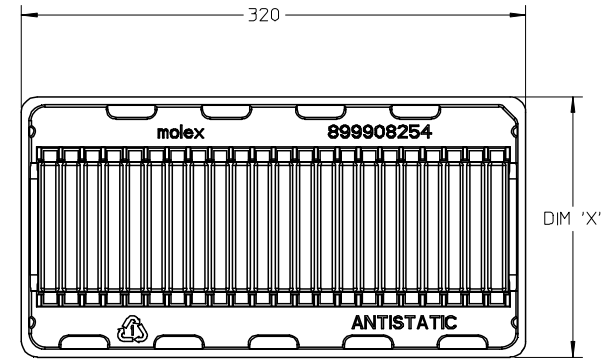
9 8 7 6 5 4 3 2 1



TRAY TYPE A
QTY OF CAVITY: 3 X 8 = 24 PCS
COLOUR: TRANSPARENT



TRAY TYPE B
QTY OF CAVITY: 3 X 15 = 45 PCS
COLOUR: TRANSPARENT



TRAY TYPE AND COLOUR - SEE TABLE
QTY OF CAVITY: 1 X 22 = 22 PCS
COLOUR - SEE TABLE

TRAY TYPE	DIM 'X'	TRAY COLOUR
C	165	TRANSPARENT
D	160	WHITE

REVISE DESIGN EC NO: S2008-0403 DRWN: TYANG01 CHKD: CGTAN APPR: SILENI	DESCRIPTION 2007/11/29 2007/11/29 2007/11/30	QUALITY SYMBOLS	GENERAL TOLERANCES (UNLESS SPECIFIED)	DIMENSION STYLE	SCALE	DESIGN UNITS	THIRD ANGLE PROJECTION																		
		$\nabla=0$ $\sphericalangle=0$	<table border="1"> <tr> <th></th> <th>mm</th> <th>INCH</th> </tr> <tr> <td>4 PLACES</td> <td>± ---</td> <td>± ---</td> </tr> <tr> <td>3 PLACES</td> <td>± ---</td> <td>± ---</td> </tr> <tr> <td>2 PLACES</td> <td>± 0.13</td> <td>± ---</td> </tr> <tr> <td>1 PLACE</td> <td>± 0.25</td> <td>± ---</td> </tr> <tr> <td colspan="3">ANGULAR ± 1 °</td> </tr> </table>		mm	INCH	4 PLACES	± ---	± ---	3 PLACES	± ---	± ---	2 PLACES	± 0.13	± ---	1 PLACE	± 0.25	± ---	ANGULAR ± 1 °			MM ONLY	NTS	METRIC	
			mm	INCH																					
		4 PLACES	± ---	± ---																					
3 PLACES	± ---	± ---																							
2 PLACES	± 0.13	± ---																							
1 PLACE	± 0.25	± ---																							
ANGULAR ± 1 °																									