



Chipsmall Limited consists of a professional team with an average of over 10 year of expertise in the distribution of electronic components. Based in Hongkong, we have already established firm and mutual-benefit business relationships with customers from,Europe,America and south Asia,supplying obsolete and hard-to-find components to meet their specific needs.

With the principle of “Quality Parts,Customers Priority,Honest Operation,and Considerate Service”,our business mainly focus on the distribution of electronic components. Line cards we deal with include Microchip,ALPS,ROHM,Xilinx,Pulse,ON,Everlight and Freescale. Main products comprise IC,Modules,Potentiometer,IC Socket,Relay,Connector.Our parts cover such applications as commercial,industrial, and automotives areas.

We are looking forward to setting up business relationship with you and hope to provide you with the best service and solution. Let us make a better world for our industry!



Contact us

Tel: +86-755-8981 8866 Fax: +86-755-8427 6832

Email & Skype: info@chipsmall.com Web: www.chipsmall.com

Address: A1208, Overseas Decoration Building, #122 Zhenhua RD., Futian, Shenzhen, China



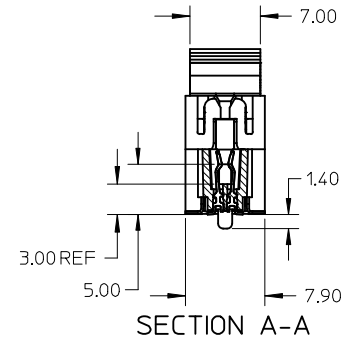
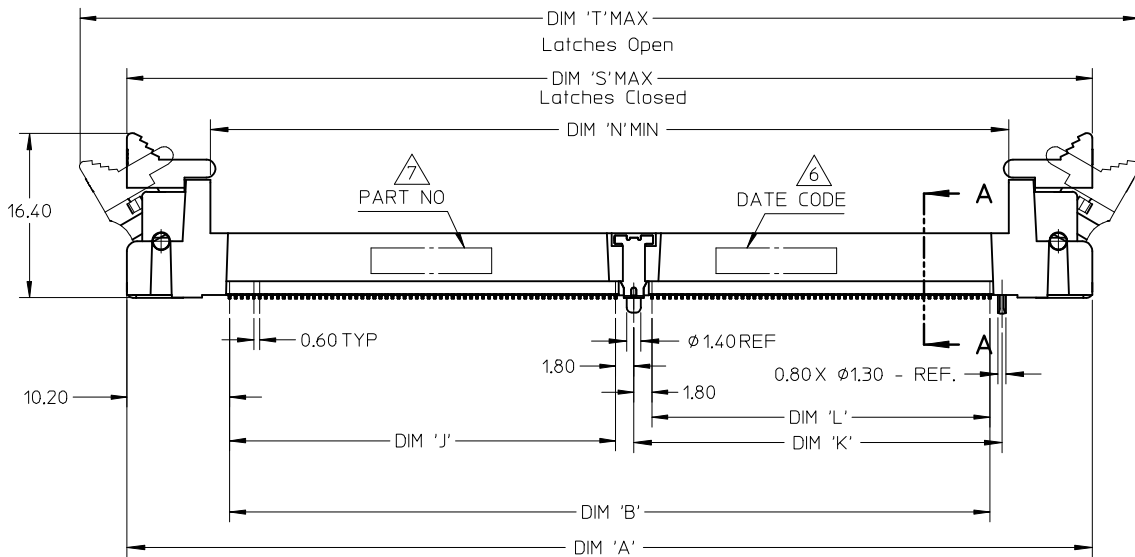
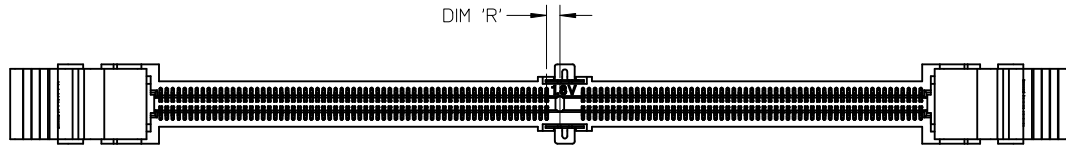
NOTES :

1. MATERIAL :
 HOUSING : LIQUID CRYSTAL POLYMER, GLASS FILLED,
 UL 94V-0, COLOUR : BLACK
 CONTACTS : COPPER ALLOY
 LATCHES : HIGH TEMPERATURE NYLON, UL 94V-0
 COLOUR : NATURAL (OFF-WHITE)

2. FINISH
 CONTACT AREA : 0.76 MICROMETER (30 MICROINCH) MIN GOLD OVER
 1.25 MICROMETER (50 MICROINCH) MIN NICKEL
 SMT TAIL : 2.54 MICROMETER (100 MICROINCH) MIN TIN OVER
 1.25 MICROMETER (50 MICROINCH) MIN NICKEL.
3. ACCEPTS 1.0 mm THICK MEMORY MODULE PER JEDEC MO-244
 FOR 244 CKTS AND MO-258 FOR 200 CKTS.
4. PRODUCT SPECIFICATION : PS-87782-027
5. PRODUCT SHALL BE PACKED IN TRAY. PLS REFER TO SHEET 5

6. DATE CODE SHALL BE MARKED LEGIBLY AS SHOWN : YYDD

7. PART NUMBER SHALL BE MARKED LEGIBLY AS SHOWN.
 87782-XXXX (REFER TO TABLE)



UPDATE DIMENSION EC NO: S2013-0123 DRW: EKS0H CHKD: CGTAN APPR: SILENI	2012/09/05 2012/09/12 2012/09/18	DESCRIPTION G3	QUALITY SYMBOLS ▽=0 ◻=0	GENERAL TOLERANCES (UNLESS SPECIFIED)		DIMENSION STYLE MM ONLY		SCALE NTS	DESIGN UNITS METRIC	THIRD ANGLE PROJECTION		
					mm	INCH	DRAWN BY MLONG	DATE 2003/01/07	TITLE MINI DIMM, 0.60MM PITCH 200/244 CKTS, VERTICAL			
				4 PLACES	± ---	± ---	CHECKED BY PTL IM	DATE 2003/07/16	MOLEX INCORPORATED DOCUMENT NO. SD-87782-001 SHEET NO. 1 OF 5			
				3 PLACES	± ---	± ---	APPROVED BY SKTOH	DATE 2003/07/17				
2 PLACES	± 0.13	± ---	DRAFT WHERE APPLICABLE MUST REMAIN WITHIN DIMENSIONS		SEE TABLE		THIS DRAWING CONTAINS INFORMATION THAT IS PROPRIETARY TO MOLEX INCORPORATED AND SHOULD NOT BE USED WITHOUT WRITTEN PERMISSION					
1 PLACE	± 0.25	± ---	ANGULAR ± 1 °		SIZE A3							

10 9 8 7 6 5 4 3 2 1

F

E

D

C

B

A

F

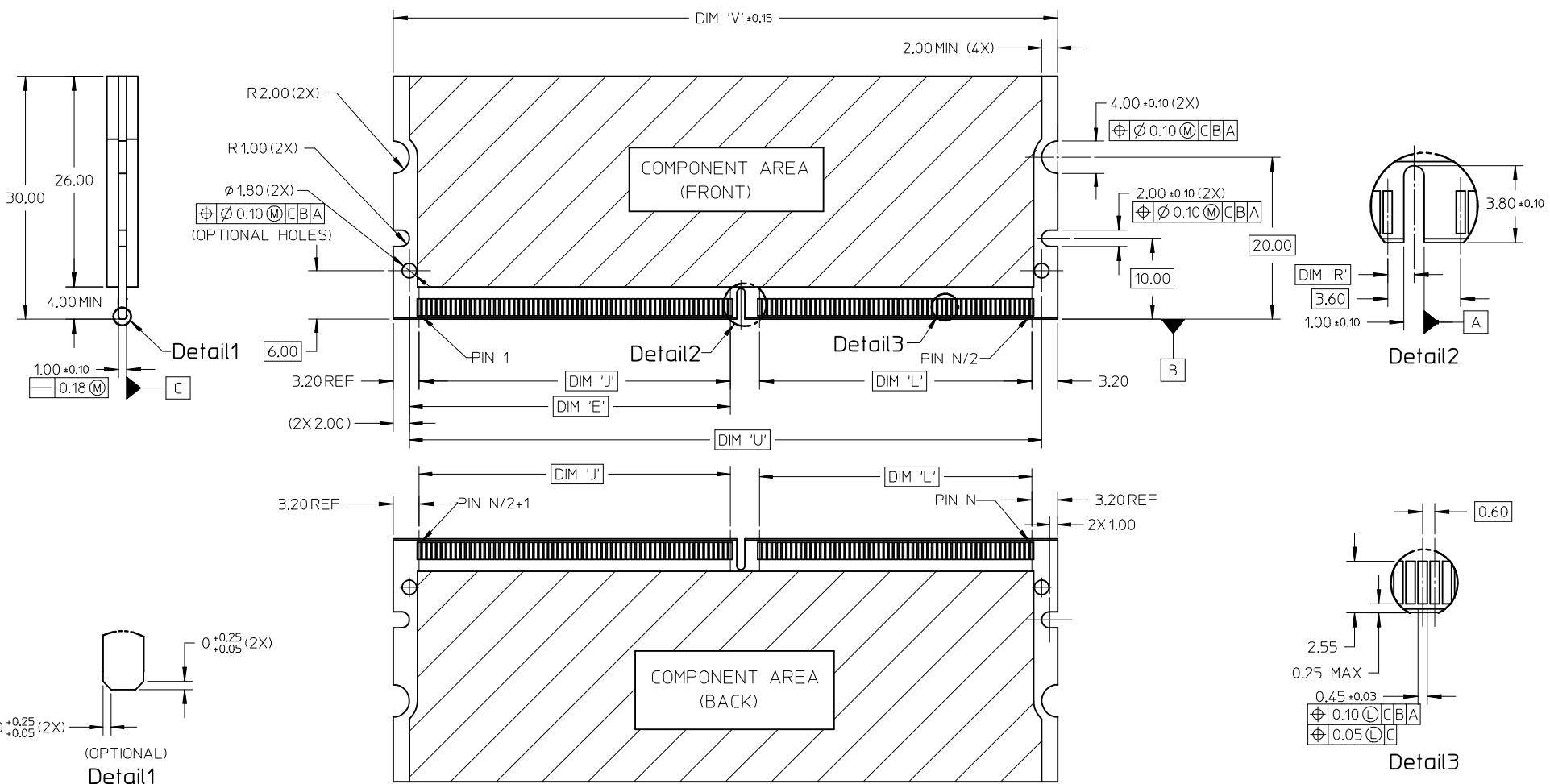
E

D

C

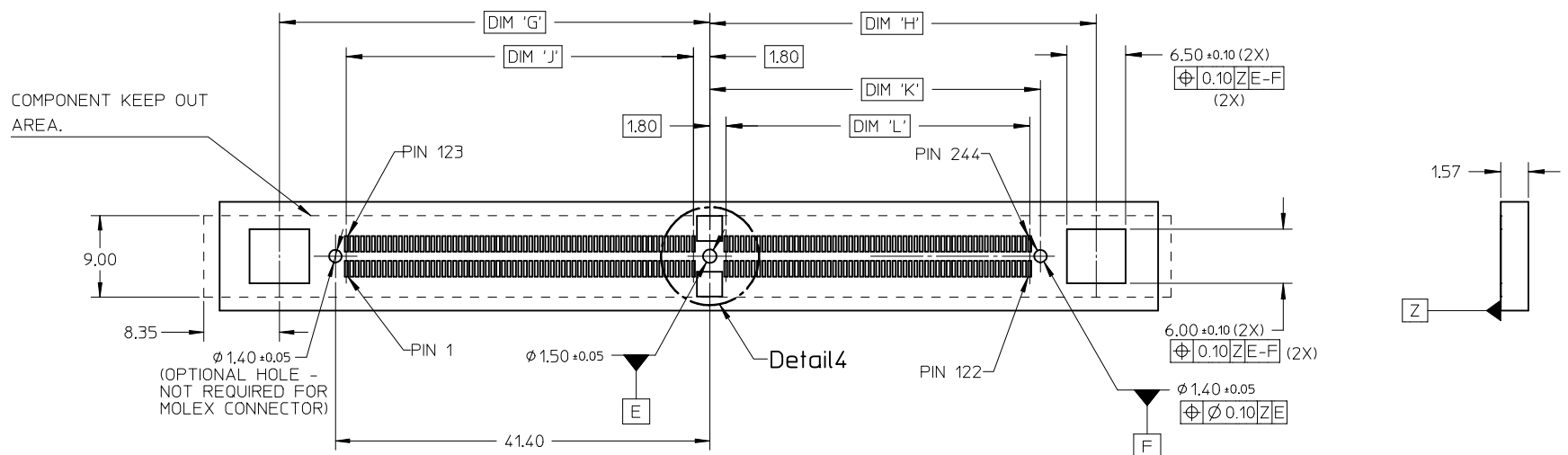
B

A

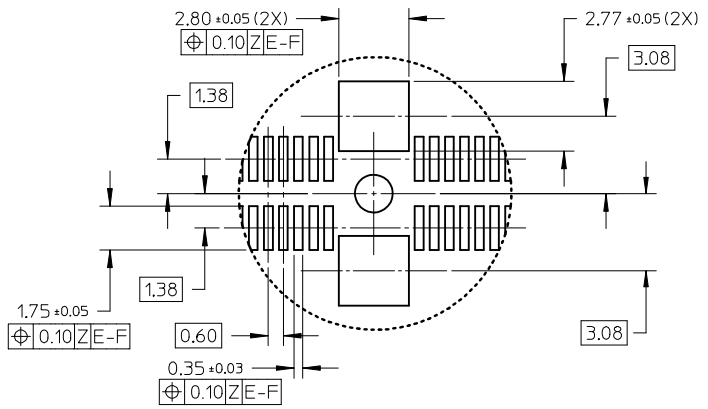


UPDATE DIMENSION IEC NO: S2013-0123 DRW: NKSJH CHKD: GGTAN APPR: SHELNI 2012/09/05 2012/09/12 2012/09/18	QUALITY SYMBOLS ▽=0 ◻=0	GENERAL TOLERANCES (UNLESS SPECIFIED)		DIMENSION STYLE MM ONLY		SCALE NTS	DESIGN UNITS METRIC	THIRD ANGLE PROJECTION	
		4 PLACES ± --- ± --- 3 PLACES ± --- ± --- 2 PLACES ± 0.13 ± --- 1 PLACE ± 0.25 ± ---	mm INCH ± --- ± --- ± 0.13 ± --- ± 0.25 ± ---	DRAWN BY MLONG	DATE 2003/01/07	TITLE MINI DIMM, 0.60MM PITCH 200/244 CKTS, VERTICAL			
		ANGULAR ± 1°	DRAFT WHERE APPLICABLE MUST REMAIN WITHIN DIMENSIONS	CHECKED BY PTLIM	DATE 2003/07/16	MOLEX INCORPORATED			
				APPROVED BY SKTOH	DATE 2003/07/17	MATERIAL NO. SEE TABLE	DOCUMENT NO. SD-87782-001	SHEET NO. 2 OF 5	

9 8 7 6 5 4 3 2 1



RECOMMENDED PCB LAYOUT

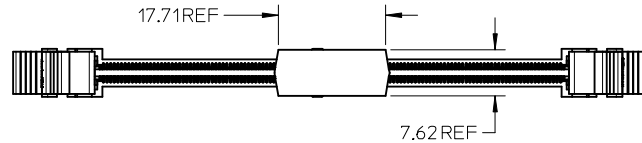
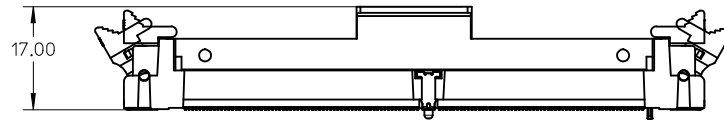


Detail 4

UPDATE DIMENSION EC NO: S2013-0123 DRW:KSOH CHKD:CGTAN APPR:SHLENI	REV DESCRIPTION	QUALITY SYMBOLS	GENERAL TOLERANCES (UNLESS SPECIFIED)	DIMENSION STYLE	SCALE	DESIGN UNITS	THIRD ANGLE PROJECTION	
		$\nabla=0$ $\text{C}=0$	mm INCH 4 PLACES ± --- ± --- 3 PLACES ± --- ± --- 2 PLACES ± 0.13 ± --- 1 PLACE ± 0.25 ± --- ANGULAR ± 1 °	MM ONLY	NTS	METRIC		
			DRAFT WHERE APPLICABLE MUST REMAIN WITHIN DIMENSIONS	DRAWN BY: MLONG DATE: 2003/01/07 CHECKED BY: PTLIM DATE: 2003/07/16 APPROVED BY: SKTOH DATE: 2003/07/17 MATERIAL NO.	TITLE	MINI DIMM, 0.60MM PITCH 200/244 CKTS, VERTICAL		
				SEE TABLE	MOLEX INCORPORATED DOCUMENT NO. SD-87782-001			SHEET NO. 3 OF 5

10 9 8 7 6 5 4 3 2 1

FOR OPTIONS WITH COVER



UPDATE DIMENSION EC NO: S2013-0123 DRW: KEKSOH CHKD: CGTAN APPR: SHLENI	2012/09/05 2012/09/12 2012/09/18	DESCRIPTION G3	QUALITY SYMBOLS	GENERAL TOLERANCES (UNLESS SPECIFIED) <table border="1"> <thead> <tr> <th></th> <th>mm</th> <th>INCH</th> </tr> </thead> <tbody> <tr> <td>4 PLACES</td> <td>± ---</td> <td>± ---</td> </tr> <tr> <td>3 PLACES</td> <td>± ---</td> <td>± ---</td> </tr> <tr> <td>2 PLACES</td> <td>± 0.13</td> <td>± ---</td> </tr> <tr> <td>1 PLACE</td> <td>± 0.25</td> <td>± ---</td> </tr> </tbody> </table> ANGULAR ± 1 °		mm	INCH	4 PLACES	± ---	± ---	3 PLACES	± ---	± ---	2 PLACES	± 0.13	± ---	1 PLACE	± 0.25	± ---	DIMENSION STYLE	SCALE	DESIGN UNITS	THIRD ANGLE PROJECTION
			mm		INCH																		
	4 PLACES		± ---		± ---																		
	3 PLACES		± ---		± ---																		
2 PLACES	± 0.13	± ---																					
1 PLACE	± 0.25	± ---																					
			MM ONLY	NTS	METRIC																		
			DRAWN BY: MLONG CHECKED BY: PTLIM APPROVED BY: SKTOH DATE: 2003/01/07 DATE: 2003/07/16 DATE: 2003/07/17	TITLE	MINI DIMM, 0.60MM PITCH 200/244 CKTS, VERTICAL																		
			DRAFT WHERE APPLICABLE MUST REMAIN WITHIN DIMENSIONS	MATERIAL NO. SEE TABLE	DOCUMENT NO. SD-87782-001	SHEET NO. 4 OF 5																	

9 8 7 6 5 4 3 2 1

CKT SIZE 'N'	PART NUMBER	MODULE CARD	VOLTAGE KEY	DIM 'R'	DIM 'J'	DIM 'K'	DIM 'L'	DIM 'N'	DIM 'A'	DIM 'S'	DIM 'T'	DIM 'E'	DIM 'U'	DIM 'V'	DIM 'G'	DIM 'H'	DIM 'B'	COVER	PACKAGING SPECIFICATION
244	87782-2001	DDR2	1.8 V	1.30	38.40	36.60	33.60	79.00	96.0	96.0	106.20	39.60	78.00	82.00	47.60	42.75	75.60	NIL	PK-87782-004
244	87782-2003	DDR2	1.8 V	1.30	38.40	36.60	33.60	79.00	96.0	96.0	106.20	39.60	78.00	82.00	47.60	42.75	75.60	YES	PK-87782-005
	87782-3003	DDR3	1.5 V	2.30															
244	87782-2005	DDR2	1.8 V	1.30	38.40	36.60	33.60	79.00	96.0	96.0	106.20	39.60	78.00	82.00	47.60	42.75	75.60	YES	PK-87782-004
	87782-3005	DDR3	1.5 V	2.30															
244	87782-2007	DDR2	1.8 V	1.30	38.40	36.60	33.60	79.00	96.0	96.0	106.20	39.60	78.00	82.00	47.60	42.75	75.60	YES	PK-87782-006
	87782-3007	DDR3	1.5 V	2.30															
244	87782-2009	DDR2	1.8 V	1.30	38.40	36.60	33.60	79.00	96.0	96.0	106.20	39.60	78.00	82.00	47.60	42.75	75.60	YES	PK-87782-002
	87782-3009	DDR3	1.5 V	2.30															
200	87782-2201	DDR2	1.8 V	1.30	23.40	38.40	35.40	65.80	82.8	82.8	93.00	24.60	64.80	68.80	32.60	44.55	62.40	NIL	PK-87782-003
	87782-2202	DDR	2.5 V	2.30															
200	87782-2203	DDR2	1.8 V	1.30	23.40	38.40	35.40	65.80	82.8	82.8	93.00	24.60	64.80	68.80	32.60	44.55	62.40	YES	PK-87782-003
	87782-2204	DDR	2.5 V	2.30															
244	87782-6001	DDR2	1.8 V	1.30	38.40	36.60	33.60	79.00	96.0	96.0	106.20	39.60	78.00	82.00	47.60	42.75	75.60	YES	PK-87782-001
	87782-6003	DDR3	1.5 V	2.30															

B B

A A

UPDATE DIMENSION EC NO: S2013-0123 DRW: KEKSOH 2012/09/05 CHKD: CGTAN 2012/09/12 APPR: SILENI 2012/09/18	DESCRIPTION REV	QUALITY SYMBOLS ▽=0 ◻=0	GENERAL TOLERANCES (UNLESS SPECIFIED) mm INCH 4 PLACES ± --- ± --- 3 PLACES ± --- ± --- 2 PLACES ± 0.13 ± --- 1 PLACE ± 0.25 ± --- ANGULAR ± 1 °	DIMENSION STYLE MM ONLY DRAWN BY: MLONG DATE: 2003/01/07 CHECKED BY: PTLIM DATE: 2003/07/16 APPROVED BY: SKTOH DATE: 2003/07/17	SCALE NTS	DESIGN UNITS METRIC	THIRD ANGLE PROJECTION	TITLE MINI DIMM, 0.60MM PITCH 200/244 CKTS, VERTICAL
		DRAFT WHERE APPLICABLE MUST REMAIN WITHIN DIMENSIONS	MATERIAL NO. SEE TABLE	DOCUMENT NO. SD-87782-001	SHEET NO. 5 OF 5			
		THIS DRAWING CONTAINS INFORMATION THAT IS PROPRIETARY TO MOLEX INCORPORATED AND SHOULD NOT BE USED WITHOUT WRITTEN PERMISSION						
		SIZE A3						