



Chipsmall Limited consists of a professional team with an average of over 10 year of expertise in the distribution of electronic components. Based in Hongkong, we have already established firm and mutual-benefit business relationships with customers from,Europe,America and south Asia,supplying obsolete and hard-to-find components to meet their specific needs.

With the principle of “Quality Parts,Customers Priority,Honest Operation,and Considerate Service”,our business mainly focus on the distribution of electronic components. Line cards we deal with include Microchip,ALPS,ROHM,Xilinx,Pulse,ON,Everlight and Freescale. Main products comprise IC,Modules,Potentiometer,IC Socket,Relay,Connector.Our parts cover such applications as commercial,industrial, and automotives areas.

We are looking forward to setting up business relationship with you and hope to provide you with the best service and solution. Let us make a better world for our industry!



Contact us

Tel: +86-755-8981 8866 Fax: +86-755-8427 6832

Email & Skype: info@chipsmall.com Web: www.chipsmall.com

Address: A1208, Overseas Decoration Building, #122 Zhenhua RD., Futian, Shenzhen, China

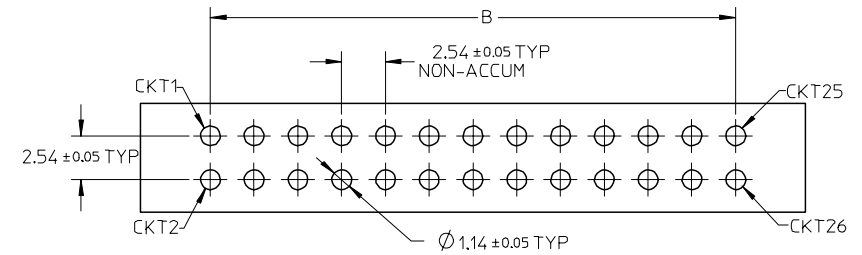
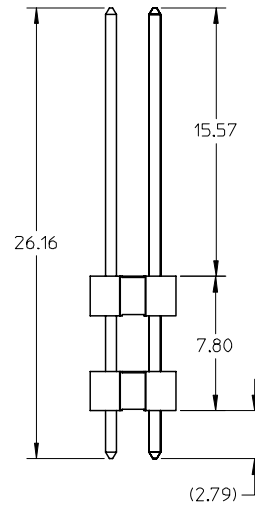
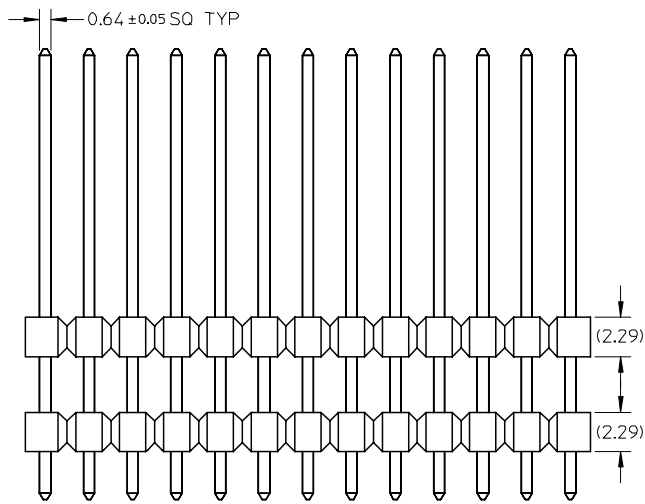
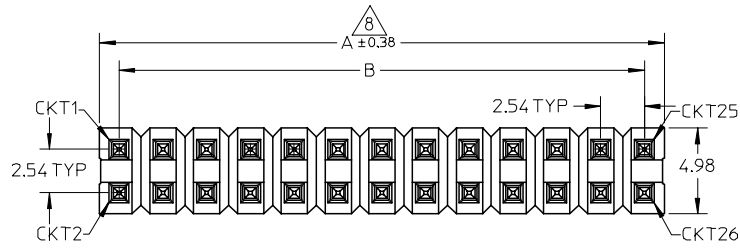
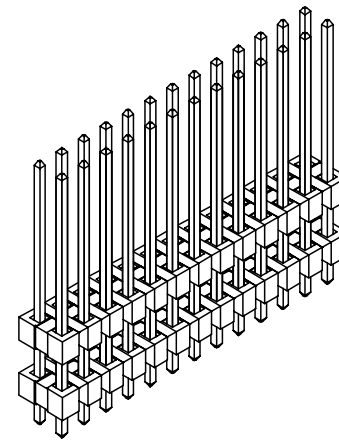


10 9 8 7 6 5 4 3 2 1

PART NO FOR TRAY PACKAGING	CKT SIZE	P E G	VOID PIN POSITION	DIMENSION	
				A	B
87797-0026	26	N	-----	33.02	30.48

NOTES

- MATERIAL:
HSG: LCP, GLASS-FILLED, UL94V-0,
COLOR, BLACK
PIN: COPPER ALLOY 0.64 mm SQ.
 - PLATING TYPE:
0.254µm/10µm MIN GOLD IN CONTACT AREA OVER
1.900µm/75µm MIN TIN SELECTIVE IN SOLDER AREA BOTH OVER
1.270µm/50µm NICKEL OVERALL
 - PARTS TO BE PACKED IN TRAY
 - PCB THICKNESS 1.6+/-0.10mm
 - PRODUCT SPECIFICATION: PS-87920-019
 - WAFER TO BE FLAT WITHIN 0.003 mm/m
 - PART IS NOT STACKABLE ON 2.54 CENTER
- \triangle IRREGULAR CIRCUIT CUTOFF WITHIN BREAKAWAY SECTION IS PERMISSIBLE. CUTTING OR CHIPPING OF THE MAIN BODY IS NOT ACCEPTABLE



EC NO: S2006-1078 DRWN:SKLIM01 CHKD:CWLM APPR:PATEY 2006/05/03	QUALITY SYMBOLS	GENERAL TOLERANCES (UNLESS SPECIFIED)	DIMENSION STYLE	SCALE	DESIGN UNITS	THIRD ANGLE PROJECTION																		
	$\nabla=0$ $\triangle=0$	<table border="1"> <thead> <tr> <th></th> <th>mm</th> <th>INCH</th> </tr> </thead> <tbody> <tr> <td>4 PLACES</td> <td>±---</td> <td>±---</td> </tr> <tr> <td>3 PLACES</td> <td>±---</td> <td>±---</td> </tr> <tr> <td>2 PLACES</td> <td>±0.2</td> <td>±---</td> </tr> <tr> <td>1 PLACE</td> <td>±---</td> <td>±---</td> </tr> <tr> <td colspan="3">ANGULAR ± 3 °</td> </tr> </tbody> </table>		mm	INCH	4 PLACES	±---	±---	3 PLACES	±---	±---	2 PLACES	±0.2	±---	1 PLACE	±---	±---	ANGULAR ± 3 °			MM ONLY	NTS	METRIC	
		mm	INCH																					
	4 PLACES	±---	±---																					
3 PLACES	±---	±---																						
2 PLACES	±0.2	±---																						
1 PLACE	±---	±---																						
ANGULAR ± 3 °																								
DRAWN BY SKLIM01 DATE 2006/04/20 CHECKED BY CWLM DATE 2006/04/28 APPROVED BY PATEY DATE 2006/04/28	DRAFT WHERE APPLICABLE MUST REMAIN WITHIN DIMENSIONS		MATERIAL NO. SEE TABLE SIZE A3		TITLE CUSTOM HEADER 2.54MM PITCH DUAL ROW HEADER, THRU HOLE, 26CKT MOLEX INCORPORATED DOCUMENT NO. SD-87797-178 SHEET NO. 1 OF 1																			
A	REV		THIS DRAWING CONTAINS INFORMATION THAT IS PROPRIETARY TO MOLEX INCORPORATED AND SHOULD NOT BE USED WITHOUT WRITTEN PERMISSION																					

9 8 7 6 5 4 3 2 1