



Chipsmall Limited consists of a professional team with an average of over 10 year of expertise in the distribution of electronic components. Based in Hongkong, we have already established firm and mutual-benefit business relationships with customers from,Europe,America and south Asia,supplying obsolete and hard-to-find components to meet their specific needs.

With the principle of “Quality Parts,Customers Priority,Honest Operation,and Considerate Service”,our business mainly focus on the distribution of electronic components. Line cards we deal with include Microchip,ALPS,ROHM,Xilinx,Pulse,ON,Everlight and Freescale. Main products comprise IC,Modules,Potentiometer,IC Socket,Relay,Connector.Our parts cover such applications as commercial,industrial, and automotives areas.

We are looking forward to setting up business relationship with you and hope to provide you with the best service and solution. Let us make a better world for our industry!



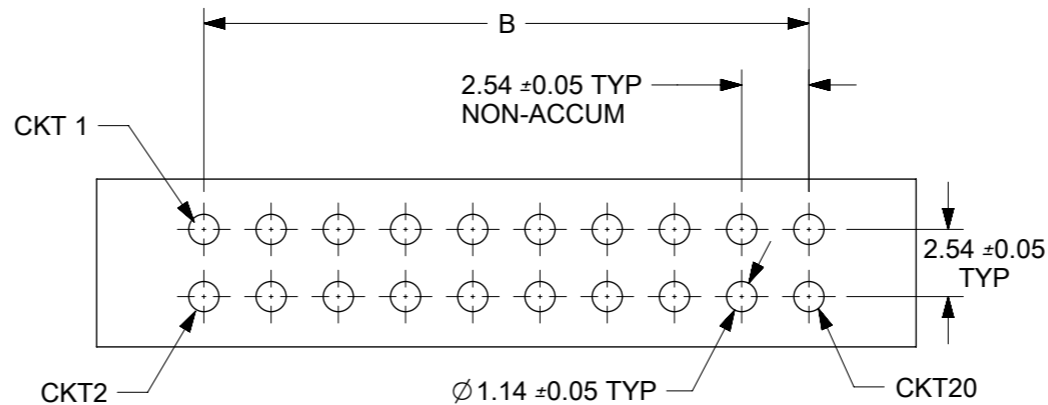
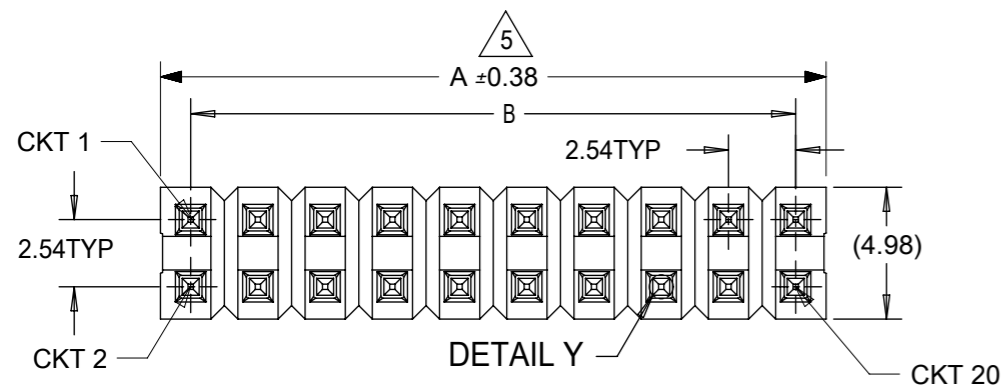
Contact us

Tel: +86-755-8981 8866 Fax: +86-755-8427 6832

Email & Skype: info@chipsmall.com Web: www.chipsmall.com

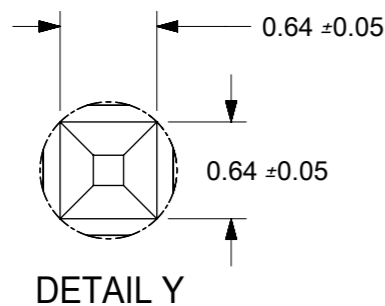
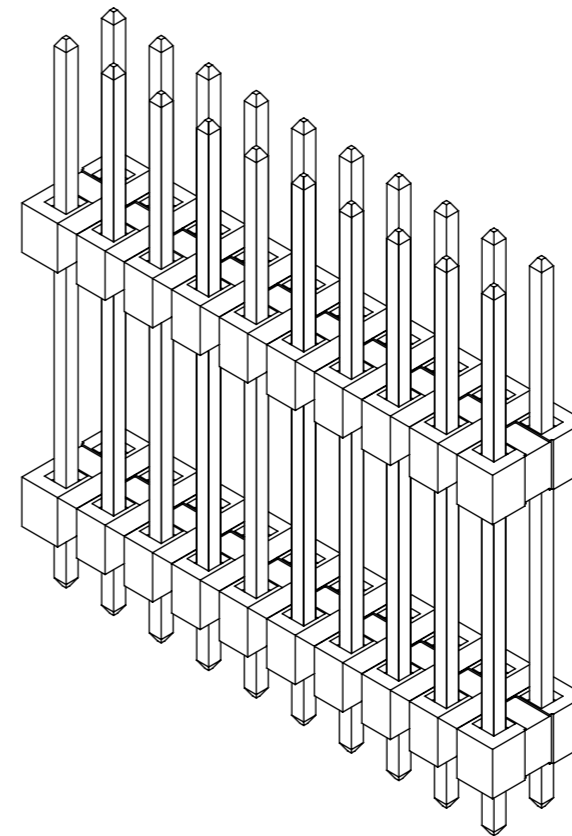
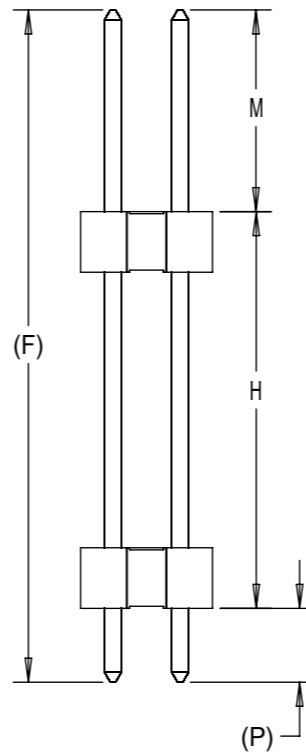
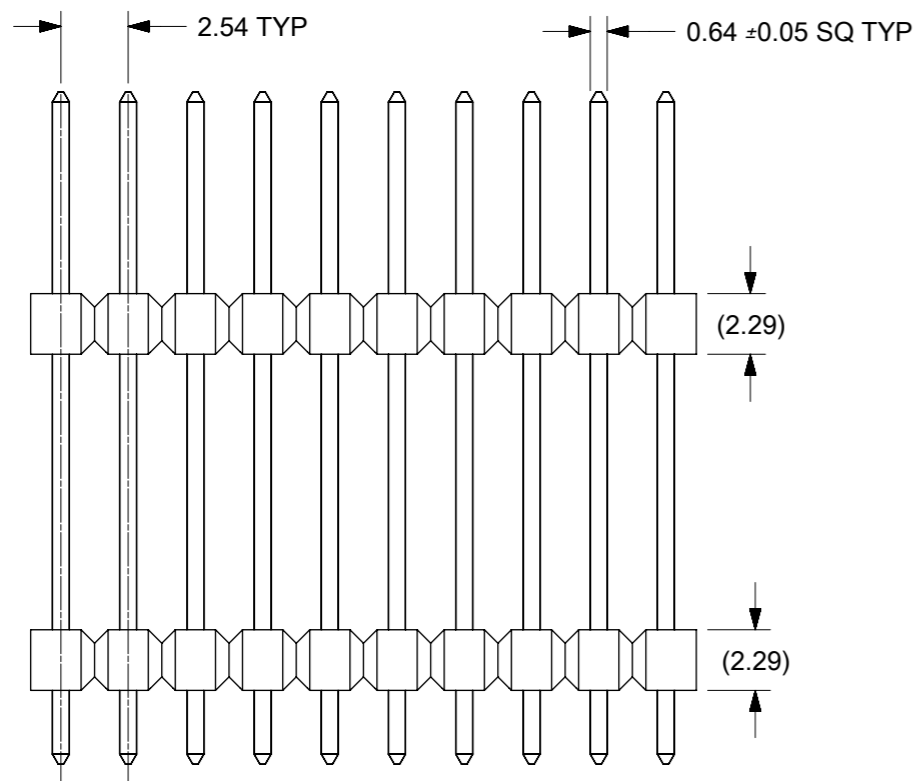
Address: A1208, Overseas Decoration Building, #122 Zhenhua RD., Futian, Shenzhen, China





RECOMMENDED PCB LAYOUT: COMPONENT SIDE

- NOTES:**
- MATERIAL:**
HOUSING: LCP, GLASS FILLED, UL94V-0
COLOR: BLACK
PIN: COPPER ALLOY, SQ, 0.64MM
 - PLATING FINISH:**
 - GOLD FLASH OVERALL OVER
1.25µm MIN. NICKEL OVERALL
 - 0.05µm MIN. GOLD IN CONTACT AREA AND
2.50µm MIN. TIN IN SOLDER AREA OVER
1.25µm MIN. NICKEL OVERALL
 - 0.38µm MIN. GOLD IN CONTACT AREA AND
2.50µm MIN. TIN IN SOLDER AREA OVER
1.25µm MIN. NICKEL OVERALL
 - 0.75µm MIN. GOLD IN CONTACT AREA AND
2.50µm MIN. TIN IN SOLDER AREA OVER
1.25µm MIN. NICKEL OVERALL
 - 2.50µm MIN. TIN OVERALL
1.25µm MIN. NICKEL OVERALL
 - FOR PACKING OPTION PLEASE REFER TO THE TABLE.
 - THE ABOVE 20CKTS SHOWN IS FOR ILLUSTRATION ONLY.
 - IRREGULAR CIRCUIT CUTOFF WITHIN BREAKAWAY SECTION IS PERMISSIBLE. CUTTING OR CHIPPING OF THE MAIN BODY IS NOT ACCEPTABLE
 - WAFER TO BE FLAT WITHIN 0.003mm/mm
 - PARTS ARE NOT STACKABLE ON 2.54 CENTERS
 - RECOMMENDED PCB THICKNESS 1.60±0.10mm
 - PRODUCT SPEC: PS-87920-019
 - PACKAGING SPECIFICATION:**
TRAY: PK-89990-489
BULK: PK-89990-491
TUBE: PK-89990-300




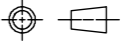
THIS DRAWING CONTAINS INFORMATION THAT IS PROPRIETARY TO MOLEX ELECTRONIC TECHNOLOGIES, LLC AND SHOULD NOT BE USED WITHOUT WRITTEN PERMISSION

ADD P/N 87797-2200 EC NO: 111883 DRWN: MRAMAKRISHNA CHK'D: REV APPR: ISHWARG	2016/12/27	GENERAL TOLERANCES (UNLESS SPECIFIED)	DIMENSION UNITS		SCALE		molex®		
	2017/01/30		MM	INCH	MM	NTS			
	4 PLACES		±	±	DRWN BY	DATE	CUSTOMER DRAWING		
	3 PLACES		±	±	SKLIM01	2006/03/01			
	2 PLACES		± 0.2	±	CHK'D BY	DATE	PRODUCT CUSTOMER DRAWING		
1 PLACES	±	±	PATEY	2006/03/03					
0 PLACES	±	±	APPR BY	DATE	SERIES: 87797 MATERIAL NUMBER: SEE TABLE CUSTOMER: GENERAL MARKET				
			PATEY	2006/03/03					
		ANGULAR TOL = 3.0	DRAWING SIZE	THIRD ANGLE PROJECTION		DOCUMENT NUMBER: SD-87797-171 DOC TYPE: PSD DOC PART: 000 SHEET NUMBER: 1 OF 3			
		DRAFT WHERE APPLICABLE MUST REMAIN WITHIN DIMENSIONS	A3						

RELEASE STATUS	RELEASE DATE
----------------	--------------

CKT SIZE	DIMENSION		PART NO FOR TUBE PACKAGING	PART NO FOR TRAY PACKAGING	PART NO FOR BULK PACKAGING	CKT SIZE	PEG OPTION	VOID POSITION	PLATING TYPE	DIMENSION			
	A	B								F	MATING END	STACKER HEIGHT	SOLDER TAIL
04	5.08	2.54	-	87797-0401	-	4	NO	-	5	18.56	3.78	11.00	3.78
06	7.62	5.08	-	87797-0600	-	6	NO	-	4	26.80	4.00	20.00	2.80
08	10.16	7.62	-	87797-0601	-	6	NO	-	5	11.00	3.00	5.00	3.00
10	12.70	10.16	-	87797-0602	-	6	NO	-	4	33.60	5.00	25.60	3.00
12	15.24	12.70	-	87797-0603	-	6	NO	-	5	33.60	5.00	25.60	3.00
14	17.78	15.24	-	87797-0604	-	6	NO	-	4	35.70	7.90	25.00	2.80
16	20.32	17.78	-	87797-0605	-	6	NO	-	2	22.50	6.00	13.00	3.50
18	22.86	20.32	-	87797-0607	-	6	NO	-	3	27.80	10.70	13.80	3.30
20	25.40	22.86	-	87797-0608	-	6	NO	-	2	27.80	10.70	13.80	3.30
22	27.94	25.40	87797-0610	-	-	6	NO	-	5	41.00	20.00	14.00	7.00
24	30.48	27.94	-	87797-0800	-	8	NO	-	5	18.54	3.05	12.70	2.79
26	33.02	30.48	-	-	87797-0801	8	NO	-	3	19.30	7.20	9.30	2.80
28	35.56	33.02	-	87797-1001	-	10	NO	-	5	32.14	10.80	19.05	2.29
30	38.10	35.56	-	87797-1002	-	10	NO	-	2	18.54	8.13	7.62	2.79
32	40.64	38.10	-	87797-1200	-	12	NO	-	4	19.30	9.04	8.00	2.26
34	43.18	40.64	-	87797-1206	-	12	NO	-	2	16.00	5.84	7.62	2.54
36	45.72	43.18	-	87797-1209	-	12	NO	-	3	15.75	7.80	4.75	3.20
38	48.26	45.72	-	87797-1400	-	14	NO	-	4	20.96	9.91	8.00	3.05
40	50.80	48.26	-	87797-1401	-	14	NO	-	5	13.00	4.00	5.00	4.00
42	53.34	50.80	-	87797-0032	-	14	NO	-	5	40.00	3.00	34.00	3.00
44	55.88	53.34	-	87797-1600	-	16	NO	-	3	22.70	6.60	13.10	3.00
46	58.42	55.88	-	87797-1603	-	16	NO	-	5	28.00	7.00	18.00	3.00
48	60.96	58.42	-	87797-1800	-	18	NO	11 & 12	1	28.00	12.21	9.35	6.44
50	63.50	60.96	-	87797-0020	-	20	NO	-	5	21.30	3.10	15.10	3.10
52	66.04	63.50	-	87797-0200	-	20	NO	-	3	36.32	5.18	25.98	5.16
54	68.58	66.04	-	87797-0201	-	20	NO	-	5	20.68	2.79	15.10	2.79
56	71.12	68.58	-	87797-2000	-	20	NO	-	4	31.00	8.50	14.00	8.50
58	73.66	71.12	-	87797-2002	-	20	NO	-	4	33.60	5.00	25.60	3.00
60	76.20	73.66	-	87797-2003	-	20	NO	-	5	33.60	5.00	25.60	3.00
62	78.74	76.20	-	87797-2004	-	20	NO	-	4	33.40	5.00	25.60	2.80
64	81.28	78.74	-	87797-2035	-	20	NO	-	5	31.37	8.00	19.94	3.43
66	83.82	81.28	87797-2200	-	-	22	NO	-	3	21.10	7.40	10.70	3.00
68	86.36	83.82	87797-2400	87797-2401	-	24	NO	-	5	14.35	3.35	7.65	3.35
70	88.90	86.36											
72	91.44	88.90											
74	93.98	91.44											
76	96.52	93.98											
78	99.06	96.52											
80	101.60	99.06											


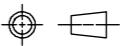
THIS DRAWING CONTAINS INFORMATION THAT IS PROPRIETARY TO MOLEX ELECTRONIC TECHNOLOGIES, LLC AND SHOULD NOT BE USED WITHOUT WRITTEN PERMISSION

ADD P/N 87797-2200 EC NO: 111883 DRWN: MIRAMAKRISHNA CHK'D: ISHWARG REV APPR: 2017/01/30	GENERAL TOLERANCES (UNLESS SPECIFIED)		DIMENSION UNITS		SCALE					
		MM	INCH	MM	NTS					
	4 PLACES ±			DRWN BY	DATE		CUSTOM HEADER 2.54MM PITCH DUAL ROW HEADER, THRU HOLE, VERT			
	3 PLACES ±			SKLIM01	2006/03/01					
	2 PLACES ± 0.2			CHK'D BY	DATE					
	1 PLACES ±			PATEY	2006/03/03		PRODUCT CUSTOMER DRAWING			
0 PLACES ±			APPR BY	DATE						
ANGULAR TOL = 3.0			PATEY	2006/03/03		SERIES	MATERIAL NUMBER	CUSTOMER		
DRAFT WHERE APPLICABLE MUST REMAIN WITHIN DIMENSIONS			DRAWING SIZE	THIRD ANGLE PROJECTION		87797	SEE TABLE	GENERAL MARKET		
C6	A3		DOCUMENT NUMBER		DOC TYPE	DOC PART	SHEET NUMBER			
			SD-87797-171		PSD	000	2 OF 3			

9 8 7 6 5 4 3 2 1

PART NO FOR TUBE PACKAGING	PART NO FOR TRAY PACKAGING	PART NO FOR BULK PACKAGING	CKT SIZE	PEG OPTION	VOID POSITION	PLATING TYPE	DIMENSION			
							F	MATING END	STACKER HEIGHT	SOLDER TAIL
								M	H	P
-	87797-2600	-	26	NO	-	3	19.30	7.25	9.00	3.05
-	87797-2801	-	28	NO	-	5	22.80	7.40	12.10	3.30
-	87797-2802	-	28	NO	-	5	34.40	7.40	23.70	3.30
-	87797-3024	-	30	NO	-	4	23.62	9.40	11.43	2.79
87797-3200	-	-	32	NO	-	3	23.46	7.00	13.50	2.96
-	87797-0400	-	40	NO	-	3	25.40	9.91	12.70	2.79
-	-	87797-0500	50	NO	-	3	18.55	6.48	9.40	2.67
-	87797-6000	-	60	NO	-	3	18.05	7.00	8.00	3.05
87797-6001	-	-	60	NO	-	3	23.46	7.00	13.50	2.96
-	-	87797-6400	64	NO	-	3	23.62	5.59	15.24	2.79
-	87797-7213	-	72	NO	-	3	14.35	6.22	5.08	3.05
-	87797-8025	-	80	NO	-	5	22.73	8.10	11.43	3.20

THIS DRAWING CONTAINS INFORMATION THAT IS PROPRIETARY TO MOLEX ELECTRONIC TECHNOLOGIES, LLC AND SHOULD NOT BE USED WITHOUT WRITTEN PERMISSION

ADD P/N 87797-2200 EC NO: 111883 DRWN: MRAMAKRISHNA CHK'D: REV APPR: ISHWARG 2016/12/27 2017/01/30	GENERAL TOLERANCES (UNLESS SPECIFIED)		DIMENSION UNITS		SCALE						
			MM	INCH	MM	NTS					
	4 PLACES ±		±	±	DRWN BY	DATE		CUSTOM HEADER 2.54MM PITCH DUAL ROW HEADER, THRU HOLE, VERT			
	3 PLACES ±		±	±	SKLIM01	2006/03/01					
	2 PLACES ± 0.2		±	±	CHK'D BY	DATE					
	1 PLACES ±		±	±	PATEY	2006/03/03		PRODUCT CUSTOMER DRAWING			
	0 PLACES ±		±	±	APPR BY	DATE					
	ANGULAR TOL = 3.0				PATEY	2006/03/03		SERIES	MATERIAL NUMBER	CUSTOMER	
	DRAFT WHERE APPLICABLE MUST REMAIN WITHIN DIMENSIONS				DRAWING SIZE	THIRD ANGLE PROJECTION		87797	SEE TABLE	GENERAL MARKET	
					A3			DOCUMENT NUMBER	DOC TYPE	DOC PART	SHEET NUMBER
							SD-87797-171	PSD	000	3 OF 3	

RELEASE STATUS	RELEASE DATE
----------------	--------------

9 8 7 6 5 4 3 2 1