



Chipsmall Limited consists of a professional team with an average of over 10 year of expertise in the distribution of electronic components. Based in Hongkong, we have already established firm and mutual-benefit business relationships with customers from,Europe,America and south Asia,supplying obsolete and hard-to-find components to meet their specific needs.

With the principle of "Quality Parts,Customers Priority,Honest Operation,and Considerate Service",our business mainly focus on the distribution of electronic components. Line cards we deal with include Microchip,ALPS,ROHM,Xilinx,Pulse,ON,Everlight and Freescale. Main products comprise IC,Modules,Potentiometer,IC Socket,Relay,Connector.Our parts cover such applications as commercial,industrial, and automotives areas.

We are looking forward to setting up business relationship with you and hope to provide you with the best service and solution. Let us make a better world for our industry!



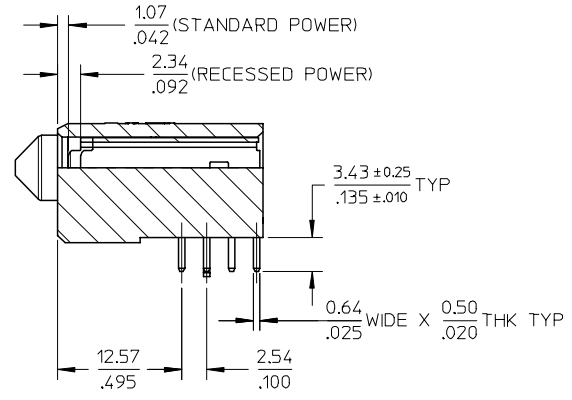
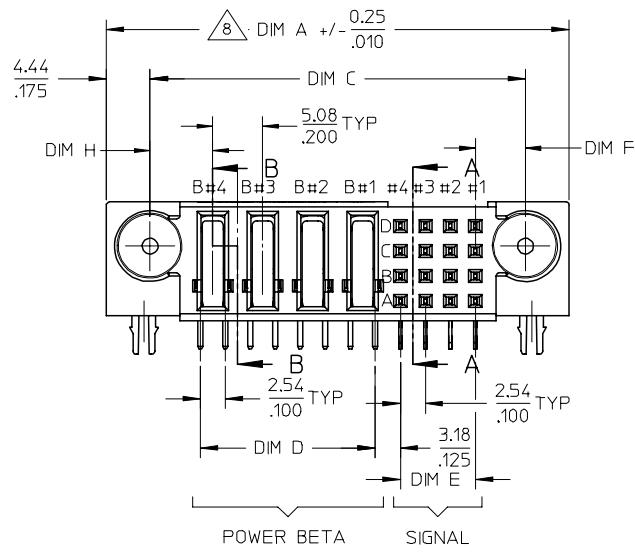
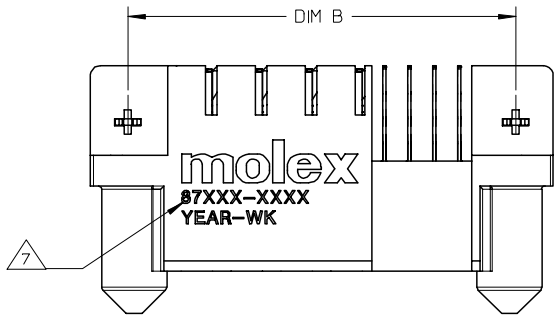
Contact us

Tel: +86-755-8981 8866 Fax: +86-755-8427 6832

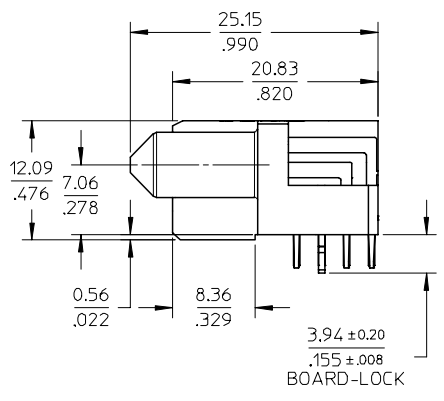
Email & Skype: info@chipsmall.com Web: www.chipsmall.com

Address: A1208, Overseas Decoration Building, #122 Zhenhua RD., Futian, Shenzhen, China

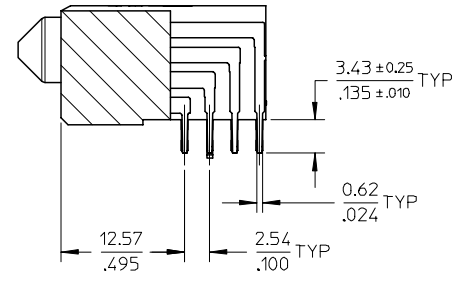
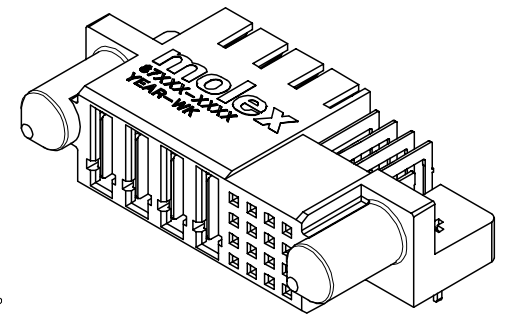




SECTION B-B

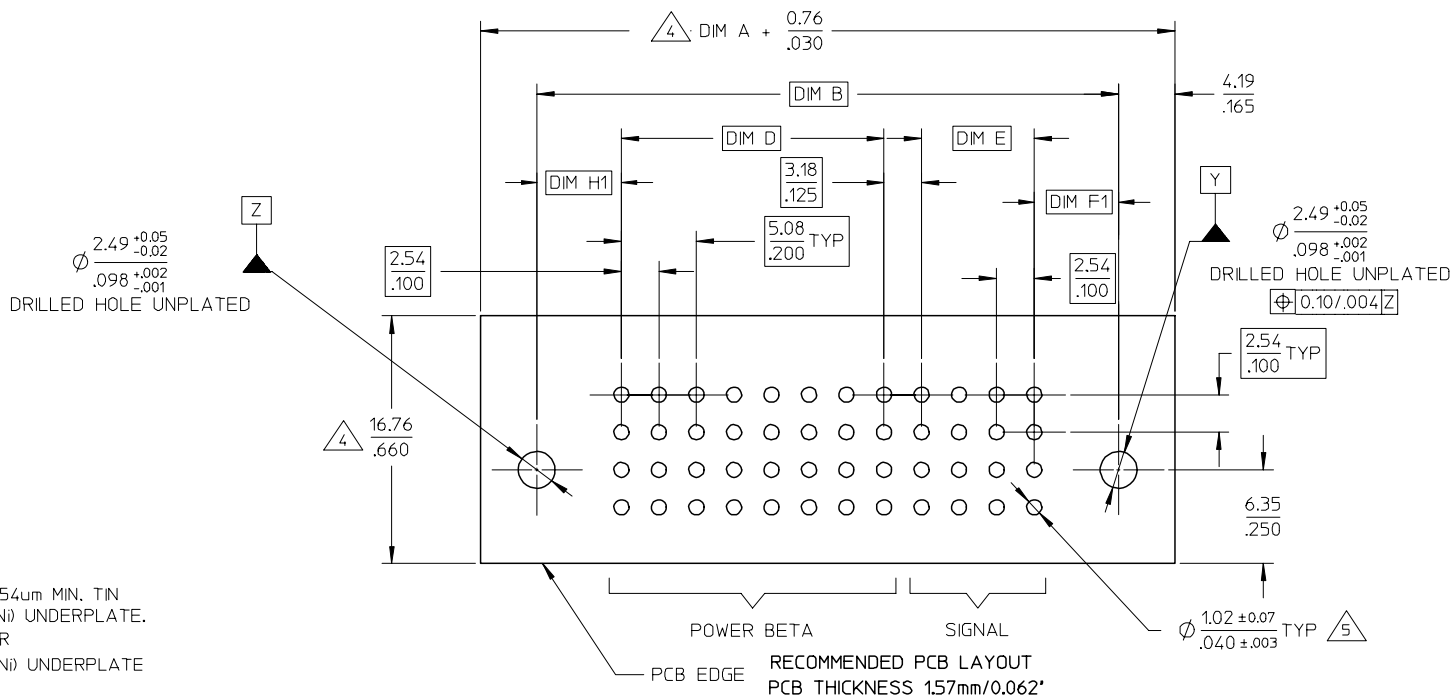


SECTION A-A



OBS TIN/LEAD P/N EC NO: S2006-0807 DRWN:MLONG CHKD:CGOH APPR:PTLIM	REV DESCRIPTION	QUALITY SYMBOLS	GENERAL TOLERANCES (UNLESS SPECIFIED)	DIMENSION STYLE	SCALE	DESIGN UNITS	THIRD ANGLE PROJECTION																	
		$\nabla=0$ $\triangle=0$	<table border="1"> <thead> <tr> <th></th> <th>MM</th> <th>INCH</th> </tr> </thead> <tbody> <tr> <td>4 PLACES</td> <td>± ---</td> <td>± ---</td> </tr> <tr> <td>3 PLACES</td> <td>± ---</td> <td>± .010</td> </tr> <tr> <td>2 PLACES</td> <td>± 0.25</td> <td>± ---</td> </tr> <tr> <td>1 PLACE</td> <td>± ---</td> <td>± ---</td> </tr> </tbody> </table>		MM	INCH	4 PLACES	± ---	± ---	3 PLACES	± ---	± .010	2 PLACES	± 0.25	± ---	1 PLACE	± ---	± ---	MM/IN	NTS	METRIC			
			MM	INCH																				
		4 PLACES	± ---	± ---																				
3 PLACES	± ---	± .010																						
2 PLACES	± 0.25	± ---																						
1 PLACE	± ---	± ---																						
<table border="1"> <tr> <td>DRAWN BY</td> <td>DATE</td> <td>TITLE</td> </tr> <tr> <td>BHLOW</td> <td>2003/04/24</td> <td>POWER CONN RECEPTACLE 5.08MM VERSION S-P(B), R/A, T/H</td> </tr> <tr> <td>CHECKED BY</td> <td>DATE</td> <td></td> </tr> <tr> <td>PTLIM</td> <td>2003/05/06</td> <td></td> </tr> <tr> <td>APPROVED BY</td> <td>DATE</td> <td></td> </tr> <tr> <td>SKTOH</td> <td>2003/05/07</td> <td></td> </tr> </table>	DRAWN BY	DATE	TITLE	BHLOW	2003/04/24	POWER CONN RECEPTACLE 5.08MM VERSION S-P(B), R/A, T/H	CHECKED BY	DATE		PTLIM	2003/05/06		APPROVED BY	DATE		SKTOH	2003/05/07		ANGULAR ± 3 °					
DRAWN BY	DATE	TITLE																						
BHLOW	2003/04/24	POWER CONN RECEPTACLE 5.08MM VERSION S-P(B), R/A, T/H																						
CHECKED BY	DATE																							
PTLIM	2003/05/06																							
APPROVED BY	DATE																							
SKTOH	2003/05/07																							
		DRAFT WHERE APPLICABLE MUST REMAIN WITHIN DIMENSIONS	SEE TABLE																					

ASSEMBLY PART NUMBER	P-S CONFIGURATION		RECESSED POWER CIRCUIT #	DIM A	DIM B	DIM C	DIM D	DIM E	DIM H	DIM H1	DIM F	DIM F1	PACKAGING
	POWER BETA	SIGNAL											
87808-3001	6	16	NIL	58.42 2.300	50.80 2.000	49.53 1.950	27.94 1.100	7.62 .300	6.98 .275	6.35 .250	5.08 .200	5.72 .225	TRAY
87808-3003	6	24	NIL	63.51 2.500	55.81 2.200	54.61 2.150	27.94 1.100	12.70 .500	6.98 .275	6.35 .250	5.08 .200	5.72 .225	TRAY



NOTES

1. MATERIALS :

HOUSING - LCP, GLASS FILLED, UL94V-0,
 COLOR : BLACK.
 SIGNAL TERMINAL - COPPER ALLOY
 POWER TERMINAL - COPPER ALLOY
 BOARD-LOCK - COPPER ALLOY

2. FINISH :-

SIGNAL & POWER CONTACTS
 0.76um MIN. GOLD (Au) AT CONTACT AREA AND 2.54um MIN. TIN
 AT SOLDER TAIL AREA OVER 1.27um MIN. NICKEL (Ni) UNDERPLATE.
 BOARD-LOCK - 2.54 MICROMETER MINIMUM TIN OVER
 1.27 MICROMETER MINIMUM NICKEL (Ni) UNDERPLATE

3. PRODUCT SPECIFICATION : PS-87805-006

△ COMPONENT STAY AWAY ZONE FROM CONNECTOR.

△ PCB NOTE FOR DIAMETER 1.02/0.40 PLATED HOLE

- DRILLED HOLE SIZE IS 1.151/0.453
 - PLATE WITH 0.007/0.003 MINIMUM TIN OVER 0.03/0.01 TO 0.08/0.03
 COPPER PLATING TO ACHIEVE 1.02±0.08/0.40±.003 HOLE.

6. ALL TERMINAL TIPS ARE DESIGNED WITH EXPOSE BASE COPPER.

THIS IS CREATED BY FINAL CUTTING PROCESS.

△ MANUFACTURER LOGO, PART NUMBER AND YEAR-WEEK CODE.

△ 4 POWER BETA - 16 SIGNAL IS SHOWN FOR ILLUSTRATION.

POWER-SIGNAL CONFIGURATION IS AVAILABLE UP TO 203MM/8INCH.

PLEASE CONTACT MOLEX SALES PERSONNEL FOR OTHER CONFIGURATION
 AND OPTION NEEDED.

OBS TIN/LEAD P/N EC NO: S2006-0807 DRWN:MLONG CHKD:CGOH APPR:PTLIM	2006/03/31 2006/03/31 2006/04/03	DESCRIPTION REV	QUALITY SYMBOLS ▽=0 △=0	GENERAL TOLERANCES (UNLESS SPECIFIED)	DIMENSION STYLE MM/IN	SCALE NTS	DESIGN UNITS METRIC	THIRD ANGLE PROJECTION
				mm INCH	DRAWN BY DATE	TITLE		
				4 PLACES ± --- ± --- 3 PLACES ± --- ± .010 2 PLACES ± 0.25 ± --- 1 PLACE ± --- ± ---	DATE 2003/04/24 DATE 2003/05/06	POWER CONN RECEPTACLE 5.08MM VERSION S-P(B), R/A, T/H		
			ANGULAR ± 3°	APPROVED BY DATE 2003/05/07	MOLEX INCORPORATED			
			DRAFT WHERE APPLICABLE MUST REMAIN WITHIN DIMENSIONS	SEE TABLE	MATERIAL NO.	DOCUMENT NO. SD-87808-001	SHEET NO. 2 OF 2	