



Chipsmall Limited consists of a professional team with an average of over 10 year of expertise in the distribution of electronic components. Based in Hongkong, we have already established firm and mutual-benefit business relationships with customers from,Europe,America and south Asia,supplying obsolete and hard-to-find components to meet their specific needs.

With the principle of “Quality Parts,Customers Priority,Honest Operation,and Considerate Service”,our business mainly focus on the distribution of electronic components. Line cards we deal with include Microchip,ALPS,ROHM,Xilinx,Pulse,ON,Everlight and Freescale. Main products comprise IC,Modules,Potentiometer,IC Socket,Relay,Connector.Our parts cover such applications as commercial,industrial, and automotives areas.

We are looking forward to setting up business relationship with you and hope to provide you with the best service and solution. Let us make a better world for our industry!



Contact us

Tel: +86-755-8981 8866 Fax: +86-755-8427 6832

Email & Skype: info@chipsmall.com Web: www.chipsmall.com

Address: A1208, Overseas Decoration Building, #122 Zhenhua RD., Futian, Shenzhen, China



THE INFORMATION CONTAINED HEREIN IS CONSIDERED "PROPRIETARY" TO BEL FUSE INC. AND SHALL NOT BE COPIED, REPRODUCED OR DISCLOSED WITHOUT THE WRITTEN APPROVAL OF BEL FUSE INC.

RoHS



| LED 2 & 4 POLARITY | | | LED 1 & 3 POLARITY | | |
|--------------------|--------|--------|--------------------|--------|--------|
| PIN 11 | PIN 12 | COLOR | PIN 13 | PIN 14 | COLOR |
| - | + | YELLOW | - | + | YELLOW |
| + | - | GREEN | + | - | GREEN |

ELECTRICAL CHARACTERISTICS @ 25°C

URNS RATIO

| | |
|-----|---------------|
| TP1 | 1CT : 1CT ±2% |
| TP2 | 1CT : 1CT ±2% |
| TP3 | 1CT : 1CT ±2% |
| TP4 | 1CT : 1CT ±2% |

QCL @ 100kHz/100mVRMS

8mA DC BIAS 350µH MIN.

INS. LOSS

| | |
|------------------|-------------|
| 0.1MHz TO 1MHz | -1.1 dB MAX |
| 1MHz TO 65MHz | -0.5 dB MAX |
| 65MHz TO 100MHz | -0.8 dB MAX |
| 100MHz TO 125MHz | -1.2 dB MAX |

RET. LOSS (MIN)

| | |
|--------------|-----------------------|
| 0.5MHz-40MHz | -18 dB |
| 40MHz-100MHz | -12+20LOG(f/80MHz) dB |

CM TO CM REJ

100kHz - 100MHz -30 dB MIN

CM TO DM REJ

100kHz - 100MHz -35 dB MIN

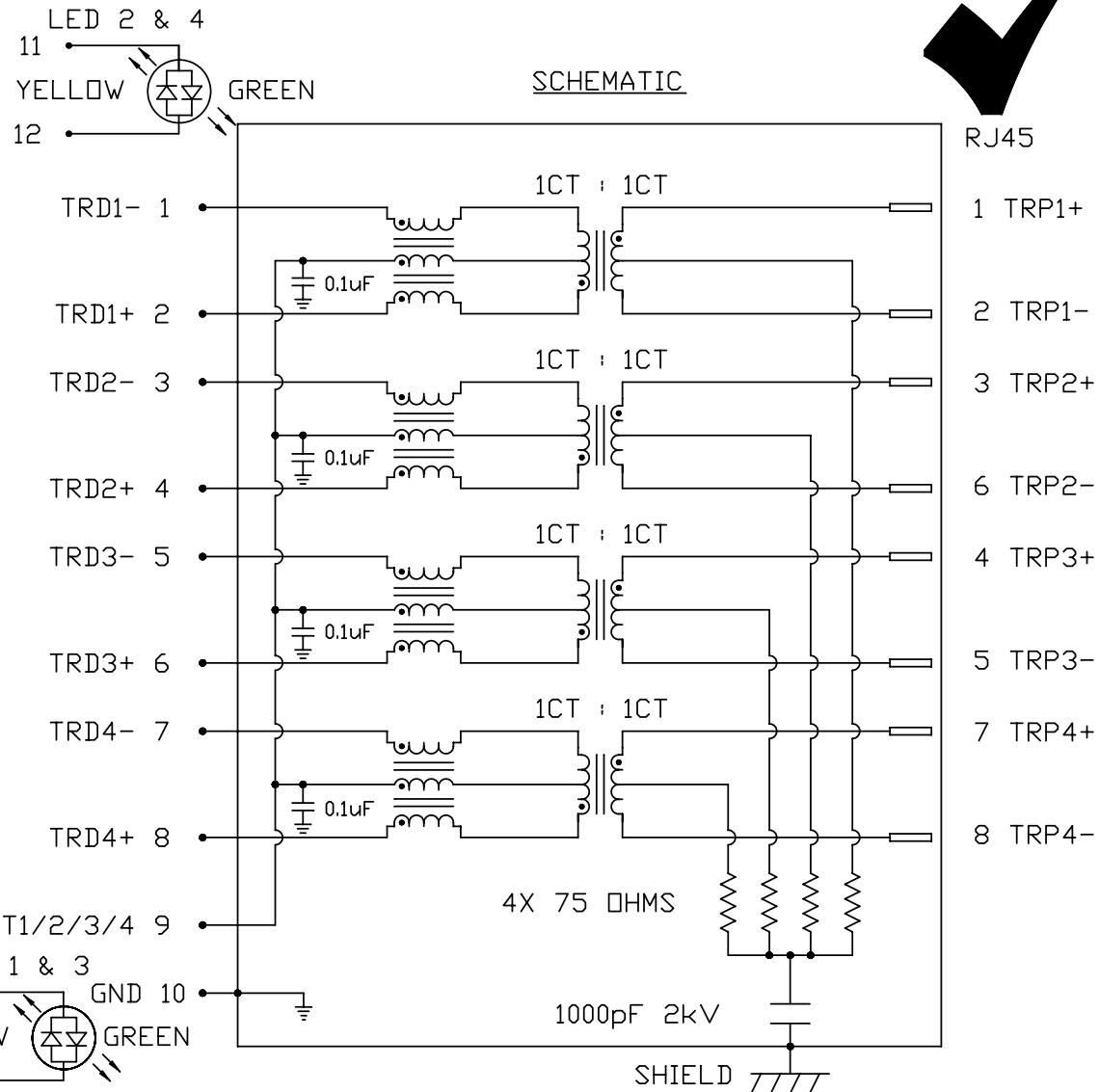
HIPOT (Isolation Voltage):

1500 Vrms

100% OF PRODUCTION TESTED TO COMPLY WITH IEEE 802.3 ISOLATION REQUIREMENTS.

LEDS 1, 2, 3 AND 4

| | |
|--------------------------|---------------------------|
| VF (FORWARD VOLTAGE) | IF=20mA GREEN 2.2V TYP. |
| | IF=20mA YELLOW 2.1V TYP. |
| λD (DOMINANT WAVELENGTH) | IF=20mA GREEN 565nm TYP. |
| | IF=20mA YELLOW 590nm TYP. |



| | |
|---------------|------------|
| ORIGINATED BY | DATE |
| CHOW WANCHUNG | 2013-03-21 |
| DRAWN BY | DATE |
| TAN QIGUANG | 2013-03-21 |

| | |
|-------|---|
| TITLE | 2X8 gigabit MagJack® WITH UPPER AND LOWER LED (8 Cores) PATENTED |
|-------|---|

| | |
|------------------------|--------------------|
| PART NO. / DRAWING NO. | 0879-2C8R-54 |
| FILE NAME | 0879-2C8R-54_B.DWG |

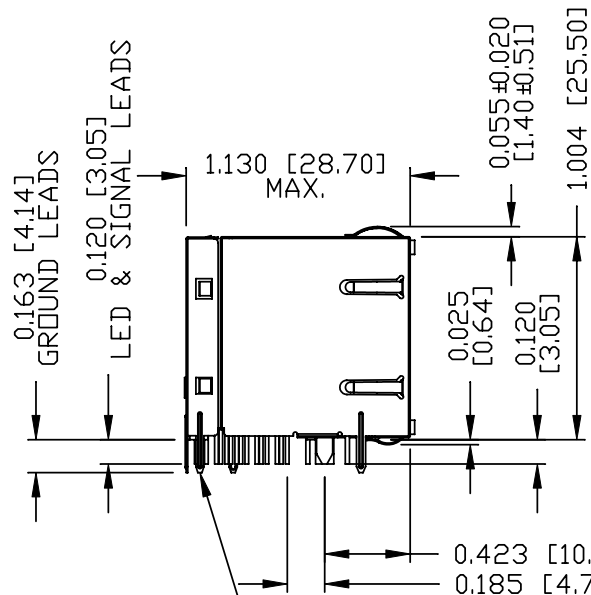
| | |
|----------------------------|--|
| STANDARD DIM. TOL. IN INCH | |
| .X | |
| .XX | |
| .XXX | |

| | |
|------------------------------|-----------|
| [] METRIC DIM. AS REFERENCE | |
| UNIT : INCH [mm] | REV. : B |
| SCALE : N/A | SIZE : A4 |
| | PAGE : 2 |

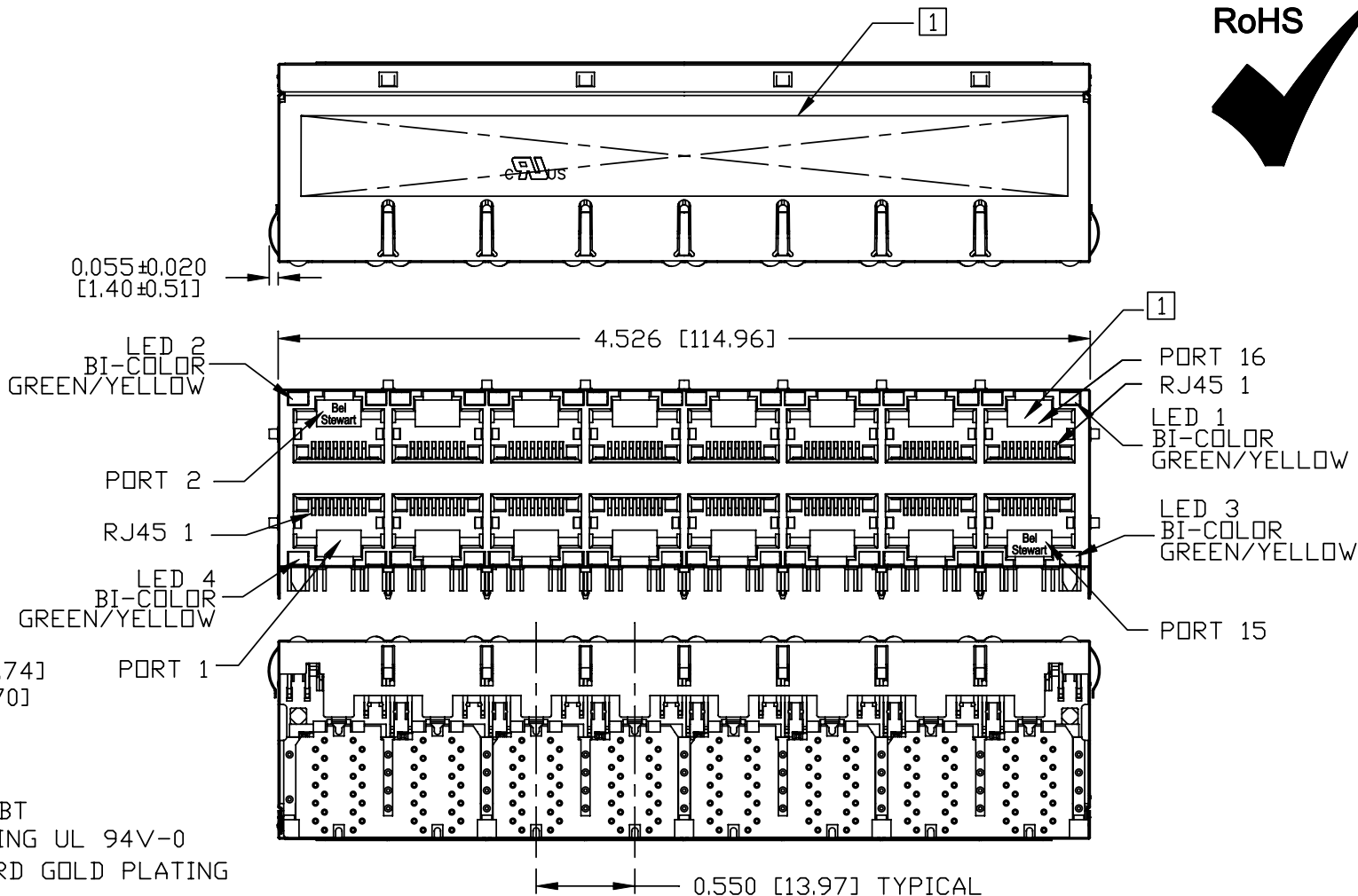


THE INFORMATION CONTAINED HEREIN IS CONSIDERED "PROPRIETARY" TO BEL FUSE INC. AND SHALL NOT BE COPIED, REPRODUCED OR DISCLOSED WITHOUT THE WRITTEN APPROVAL OF BEL FUSE INC.

RoHS



SOLDER DIPPED GROUND LEADS (11X)



NOTES:

- PLASTIC HOUSING: THERMOPLASTIC PBT
FLAMMABILITY RATING UL 94V-0
- CONTACT PLATING: 50 MICRO-INCH HARD GOLD PLATING OR EQUIVALENT.
- OUTPUT PINS: TIN-COATED COPPER WIRE, DIA 0.018 INCH.
- METAL SHIELD: NICKEL PLATED ON COPPER ALLOY.
(ALL GROUND LEADS ARE SOLDER DIPPED)

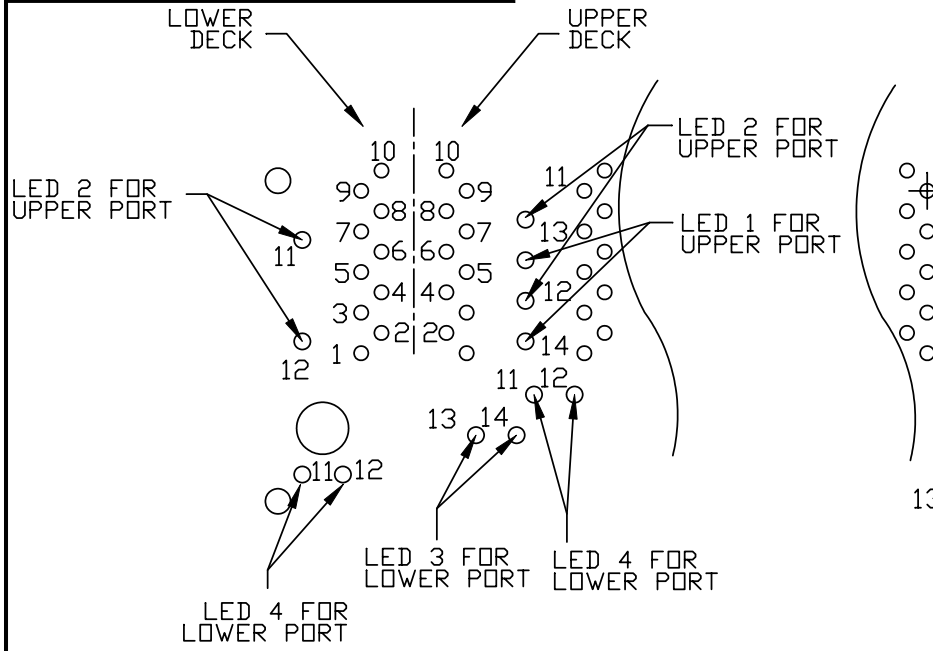
- [1] JACK CAVITY CONFORMS TO FCC RULES AND REGULATIONS, PART 68 SUBPART F.
- [2] MARK PART WITH MFG LOGO, MFG NAME, PART NUMBER,

DATE CODE AND PATENTED.

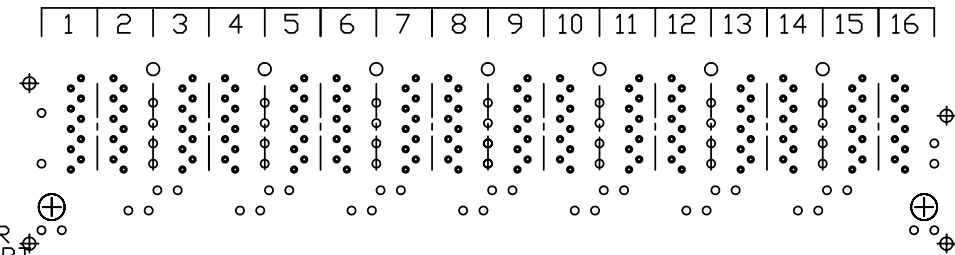
- USUL RECOGNIZED - FILE #E196366 AND E169987.
- 3. THE PRODUCT IS RoHS COMPLIANT.
- 4. THE PRODUCT IS PATENTED. THE PATENT NUMBER ARE U.S. PAT. 7,123,117 AND U.S. PAT. 5,736,910 AND U.S. PAT. 6,840,817.

| | | | | | | | | |
|-----------------------------|---------------------|--|--|----------------------------|---------------------------------|------------------------------|--------|--|
| ORIGINATED BY ANTON LIAO | DATE 2013-03-21 | TITLE 2X8 gigabit MagJack® WITH UPPER AND LOWER LED (8 Cores) PATENTED | PART NO. / DRAWING NO. 0879-2C8R-54 | STANDARD DIM. TOL. IN INCH | | [] METRIC DIM. AS REFERENCE | | bel COMPONENTS FOR A CONNECTED PLANET |
| | DRAWN BY HE ZHEN | | | DATE 2013-03-21 | FILE NAME 0879-2C8R-54_B.DWG | .X .XX .XXX | ±0.010 | |

THE INFORMATION CONTAINED HEREIN IS CONSIDERED "PROPRIETARY" TO BEL FUSE INC. AND SHALL NOT BE COPIED, REPRODUCED OR DISCLOSED WITHOUT THE WRITTEN APPROVAL OF BEL FUSE INC.

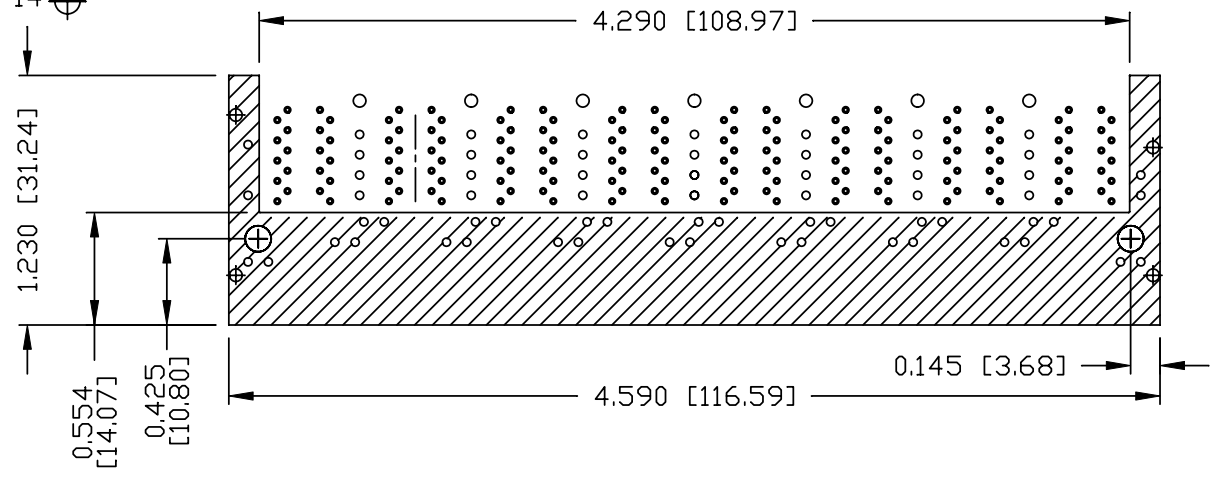


PORT ASSIGNMENT
(COMPONENT SIDE VIEW)



PIN-OUT INFORMATION
(COMPONENT SIDE VIEW)

| | | | |
|----|-------------|----|-----------------|
| 10 | GND | | |
| 9 | TRCT1/2/3/4 | | |
| 8 | TRD 4+ | | |
| 7 | TRD 4- | | |
| 6 | TRD 3+ | | |
| 5 | TRD 3- | | |
| 4 | TRD 2+ | 14 | GRN (-)/YEL (+) |
| 3 | TRD 2- | 13 | GRN (+)/YEL (-) |
| 2 | TRD 1+ | 12 | GRN (-)/YEL (+) |
| 1 | TRD 1- | 11 | GRN (+)/YEL (-) |



THE SHADED AREA ON THE CUSTOMER BOARD ARE RECOMMENDED TO BE CLEAR OFF ANY VIA HOLE OR COMPONENT PAD.

| | |
|-----------------------------|--------------------|
| ORIGINATED BY ANTON LIAO | DATE 2013-03-21 |
| DRAWN BY HE ZHEN | DATE 2013-03-21 |

TITLE
2X8 gigabit MagJack®
WITH UPPER AND LOWER LED
(8 Cores)
PATENTED

| |
|--|
| PART NO. / DRAWING NO. 0879-2C8R-54 |
| FILE NAME 0879-2C8R-54_B.DWG |

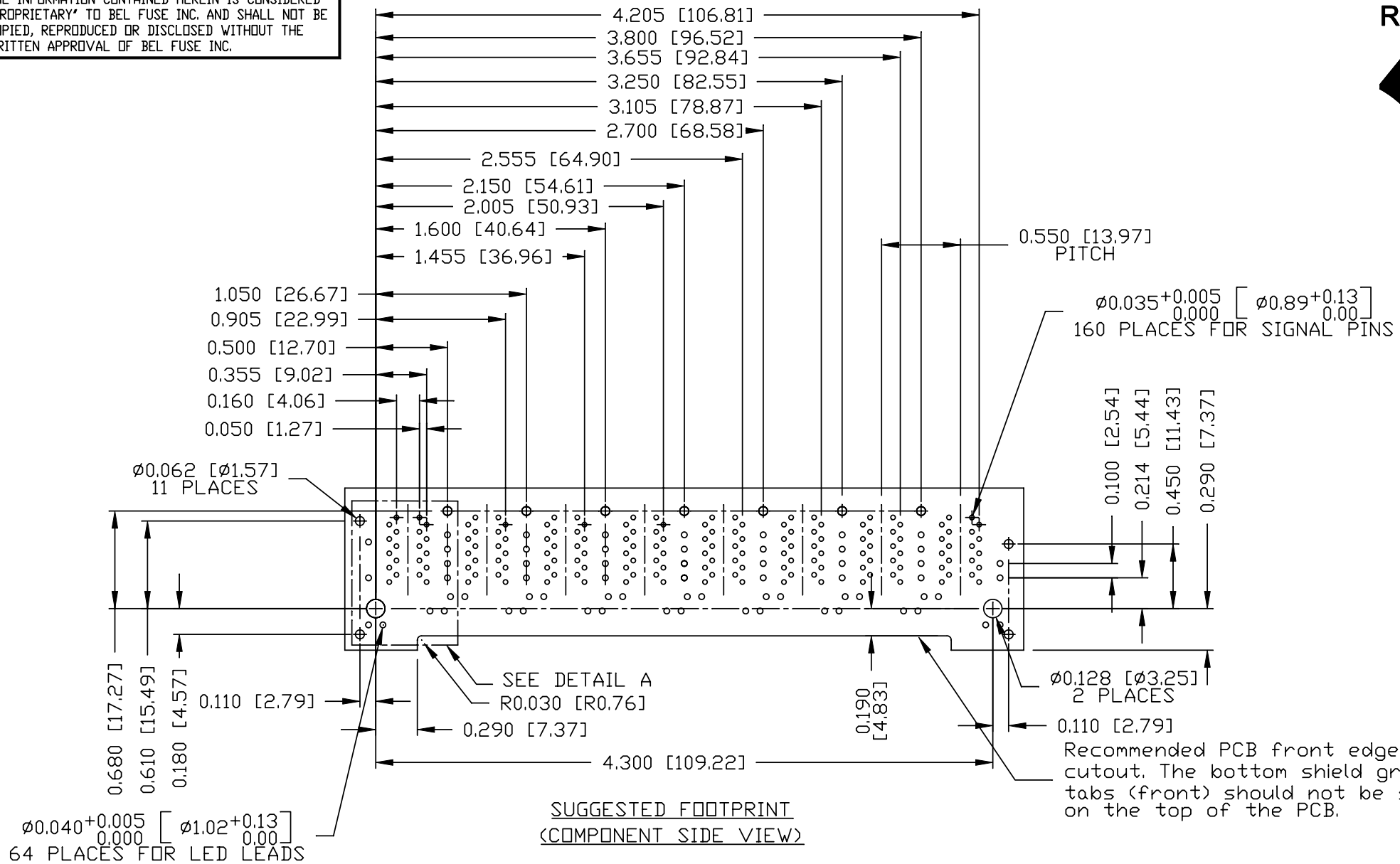
| |
|-------------------------------|
| STANDARD DIM. TOL. IN INCH |
| .X |
| .XX |
| .XXX ±0.004 |

| | | |
|------------------------------|------------------|-----------|
| [] METRIC DIM. AS REFERENCE | UNIT : INCH [mm] | REV. : B |
| | SCALE : N/A | SIZE : A4 |
| | | PAGE : 4 |



THE INFORMATION CONTAINED HEREIN IS CONSIDERED "PROPRIETARY" TO BEL FUSE INC. AND SHALL NOT BE COPIED, REPRODUCED OR DISCLOSED WITHOUT THE WRITTEN APPROVAL OF BEL FUSE INC.

RoHS



| | |
|---------------|------------|
| ORIGINATED BY | DATE |
| ANTON LIAO | 2013-03-21 |
| DRAWN BY | DATE |
| HE ZHEN | 2013-03-21 |

| |
|---|
| TITLE |
| 2X8 gigabit MagJack® WITH UPPER AND LOWER LED (8 Cores) PATENTED |

| |
|------------------------|
| PART NO. / DRAWING NO. |
| 0879-2C8R-54 |
| FILE NAME |
| 0879-2C8R-54_B.DWG |

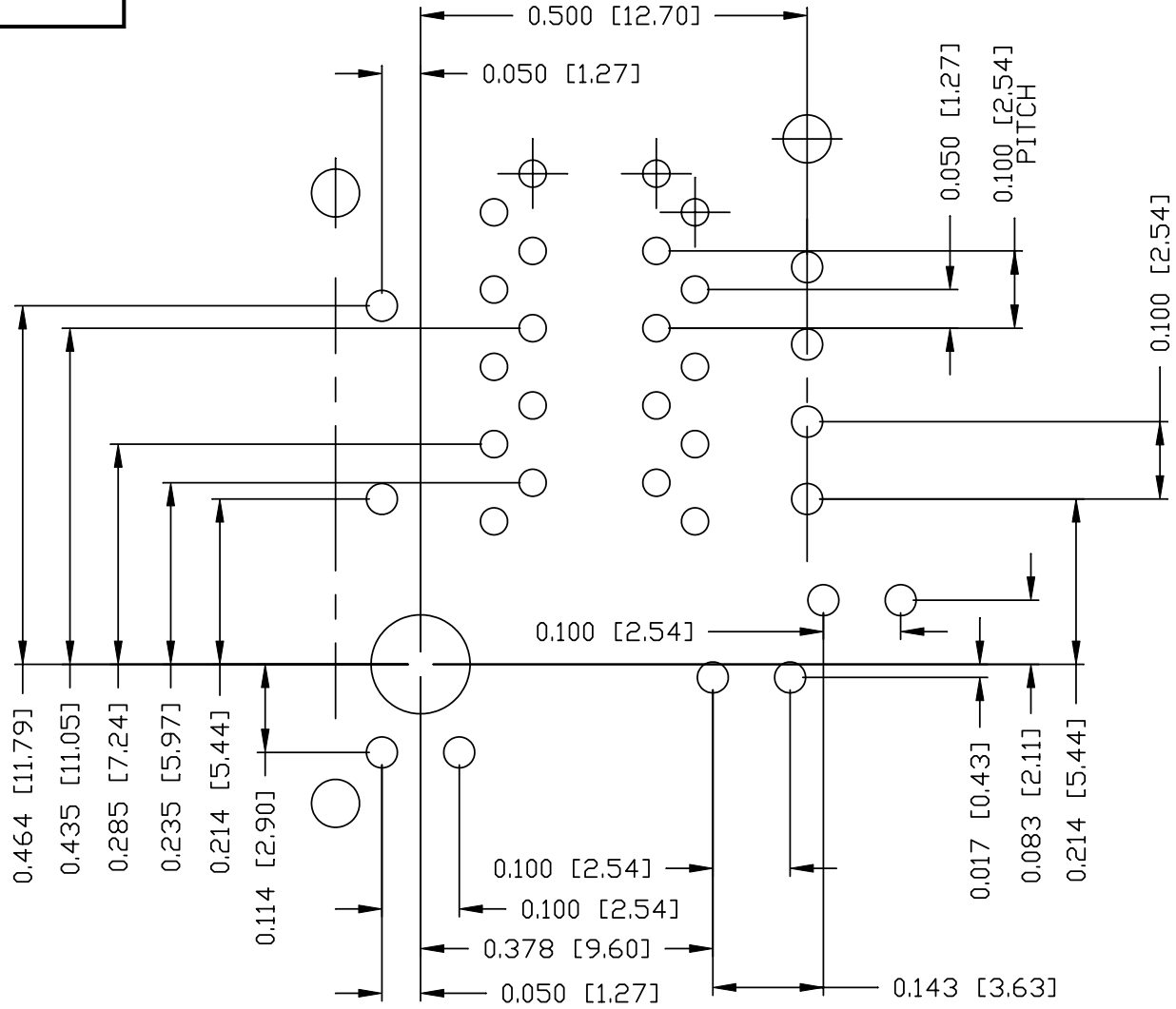
| | |
|-------------------------------|--------|
| STANDARD DIM. TOL. IN INCH | |
| .X | |
| .XX | |
| .XXX | ±0.004 |

| | |
|------------------------------|-----------|
| [] METRIC DIM. AS REFERENCE | |
| UNIT : INCH [mm] | REV. : B |
| SCALE : N/A | SIZE : A4 |
| | PAGE : 5 |



THE INFORMATION CONTAINED HEREIN IS CONSIDERED 'PROPRIETARY' TO BEL FUSE INC. AND SHALL NOT BE COPIED, REPRODUCED OR DISCLOSED WITHOUT THE WRITTEN APPROVAL OF BEL FUSE INC.

RoHS

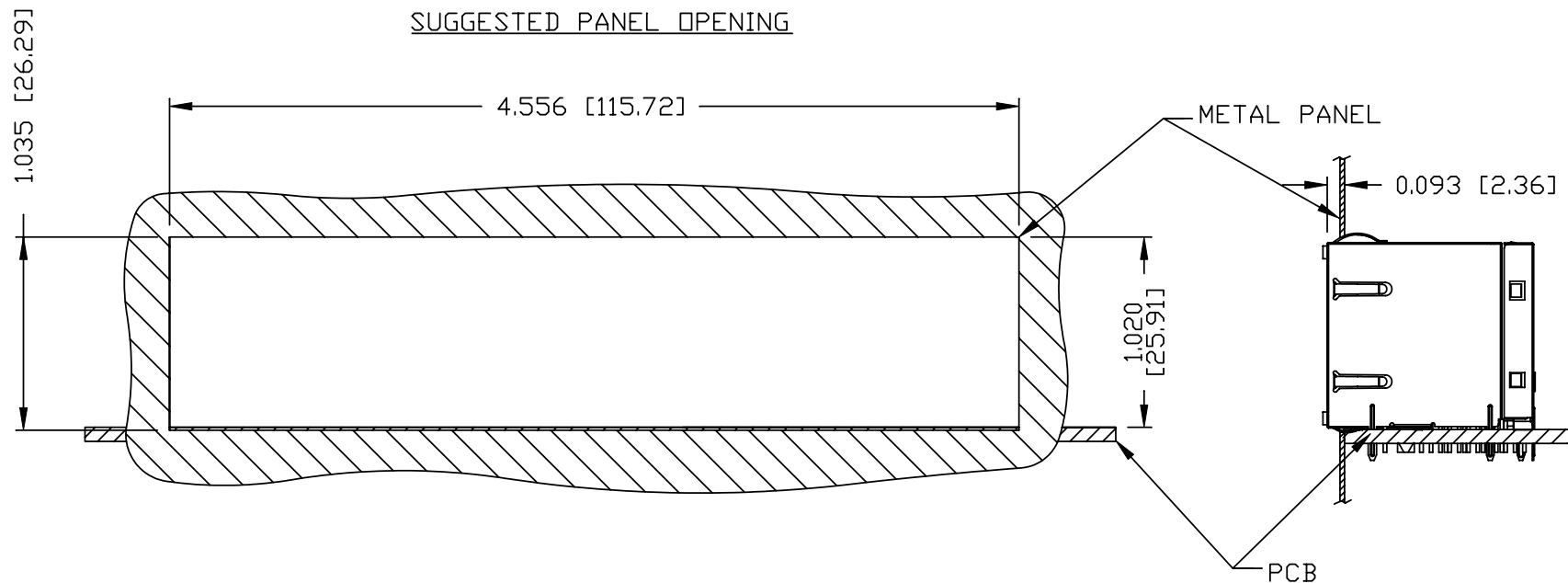


DETAIL A

| | | | | | | | | | |
|-----------------------------|--------------------|--|--|--|----------------------------|--------|------------------------------|-----------|---|
| ORIGINATED BY ANTON LIAO | DATE 2013-03-21 | TITLE 2X8 gigabit MagJack® WITH UPPER AND LOWER LED (8 Cores) PATENTED | PART NO. / DRAWING NO. 0879-2C8R-54 | | STANDARD DIM. TOL. IN INCH | | [] METRIC DIM. AS REFERENCE | | COMPONENTS FOR A CONNECTED PLANET |
| | | | FILE NAME 0879-2C8R-54_B.DWG | | .X | | UNIT : INCH [mm] | REV. : B | |
| DRAWN BY HE ZHEN | DATE 2013-03-21 | | | | .XX | | SCALE : N/A | SIZE : A4 | |
| | | | | | .XXX | ±0.004 | | PAGE : 6 | |

THE INFORMATION CONTAINED HEREIN IS CONSIDERED "PROPRIETARY" TO BEL FUSE INC. AND SHALL NOT BE COPIED, REPRODUCED OR DISCLOSED WITHOUT THE WRITTEN APPROVAL OF BEL FUSE INC.

RoHS



NOTE:

THE DISTANCE OF PANEL INSIDE SURFACE RELATIVE TO FRONT SURFACE OF PART IS ONLY A SUGGESTION. IN CASE THIS DISTANCE IS DIFFERENT, THE REQUIRED PANEL OPENING DIMENSIONS CHANGE ACCORDINGLY.

PACKING INFORMATION

PACKING TRAY : 0200M9999-E2 (TOP)
0200M9999-E3 (BOTTOM)

PACKING QUANTITY : 10 PCS FINISHED GOODS PER TRAY
7 TRAYS (70 PCS FINISHED GOODS) PER CARTON BOX

NOTE : CARDBOARDS ARE PLACED BETWEEN LAYERS OF PACKING TRAY INSIDE CARTON BOX (INCLUDE THE UPPERMOST AND LOWERMOST TRAY)

| | | | | | | | | |
|-----------------------------|--------------------|--|--|----------------------------|--------|------------------------------|-----------|---------------------------------------|
| ORIGINATED BY ANTON LIAO | DATE 2013-03-21 | TITLE 2X8 gigabit MagJack® WITH UPPER AND LOWER LED (8 Cores) PATENTED | PART NO. / DRAWING NO. 0879-2C8R-54 | STANDARD DIM. TOL. IN INCH | | [] METRIC DIM. AS REFERENCE | | COMPONENTS FOR A CONNECTED PLANET |
| | | | | .X | | UNIT : INCH [mm] | REV. : B | |
| DRAWN BY HE ZHEN | DATE 2013-03-21 | | FILE NAME 0879-2C8R-54_B.DWG | .XX | | SCALE : N/A | SIZE : A4 | PAGE : 7 |
| | | | | .XXX | ±0.004 | | | |