



Chipsmall Limited consists of a professional team with an average of over 10 year of expertise in the distribution of electronic components. Based in Hongkong, we have already established firm and mutual-benefit business relationships with customers from,Europe,America and south Asia,supplying obsolete and hard-to-find components to meet their specific needs.

With the principle of “Quality Parts,Customers Priority,Honest Operation,and Considerate Service”,our business mainly focus on the distribution of electronic components. Line cards we deal with include Microchip,ALPS,ROHM,Xilinx,Pulse,ON,Everlight and Freescale. Main products comprise IC,Modules,Potentiometer,IC Socket,Relay,Connector.Our parts cover such applications as commercial,industrial, and automotives areas.

We are looking forward to setting up business relationship with you and hope to provide you with the best service and solution. Let us make a better world for our industry!



## Contact us

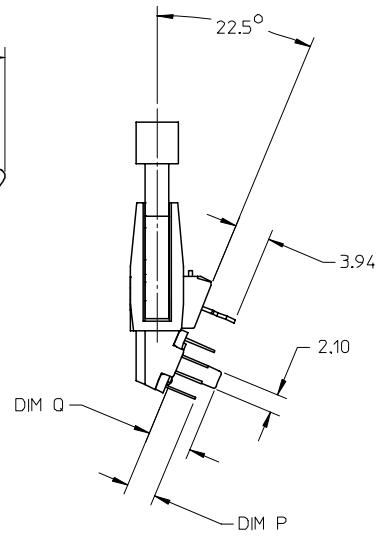
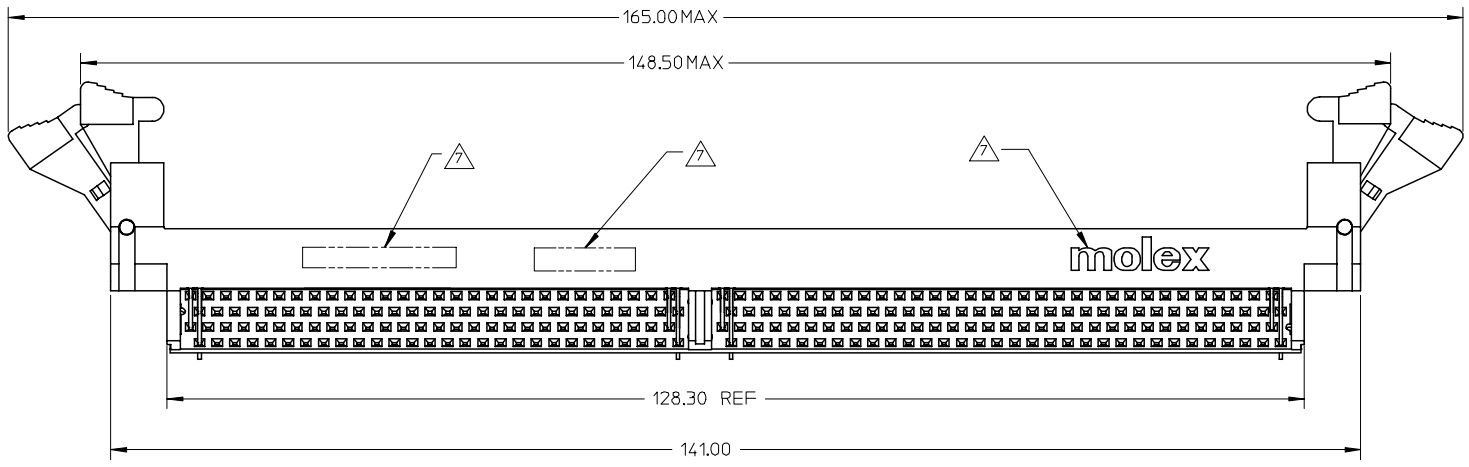
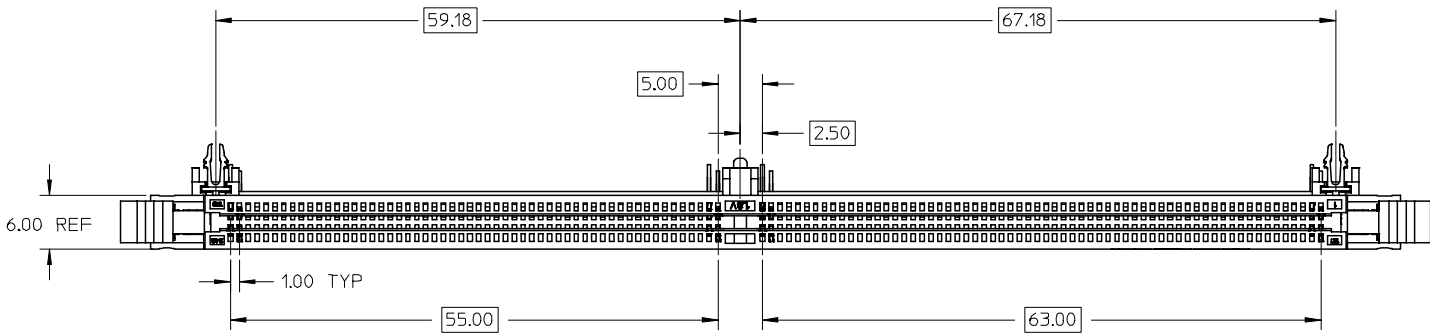
Tel: +86-755-8981 8866 Fax: +86-755-8427 6832

Email & Skype: info@chipsmall.com Web: www.chipsmall.com

Address: A1208, Overseas Decoration Building, #122 Zhenhua RD., Futian, Shenzhen, China



10 9 8 7 6 5 4 3 2 1



- NOTES :
- MATERIALS : HOUSING, BASEPLATE AND LATCH.  
- HIGH TEMP THERMOPLASTIC, UL94-0.  
TERMINALS & FORKLOCK - COPPER ALLOY.
  - PLATING : CONTACT AREA - SEE TABLE IN SHEET 5.  
SOLDERTAIL - SEE TABLE IN SHEET 5.
  - CARD SLOT ACCEPTS 1.27+/-0.10MM MODULE THICKNESS  
( MEASURED OVER PC PADS ).
  - REFER TO PRODUCT SPECIFICATION , PS-87916-001 FOR  
PERFORMANCE SPECIFICATION.
  - RECOMMENDED MODULE CARD LAYOUT SHALL BE AS PER JEDEC MO-237.
  - PRODUCT SHALL BE PACKED IN TRAY.
- ▲ MOLEX LOGO, DATE CODE & PART NUMBER INDICATED ON HOUSING.

ADDED OPTION EC NO: S2008-0329 DRWN:CTEH CHKD:TYANG01 APPR:SHLENI 2007/10/24 2007/10/24 2007/10/25	QUALITY SYMBOLS ▽=0 ▽=0	GENERAL TOLERANCES (UNLESS SPECIFIED)		DIMENSION STYLE	SCALE	DESIGN UNITS	THIRD ANGLE PROJECTION	
				MM ONLY	NTS	METRIC		
		4 PLACES	± ---	± ---	DRAWN BY	DATE	TITLE	
		3 PLACES	± ---	± ---	JTAN	2004/05/11	DDR2 DIMM, 1.00MM PITCH 240 CKTS, 22.5 DEG	
2 PLACES	± 0.25	± ---	2 PLACES	± ---	MLONG	2004/06/11		
1 PLACE	± ---	± ---	1 PLACE	± ---	APPROVED BY	DATE		
		ANGULAR ± 5 °		GGLEE	2004/06/11	MOLEX INCORPORATED		
		DRAFT WHERE APPLICABLE MUST REMAIN WITHIN DIMENSIONS		SEE TABLE		DOCUMENT NO.	SHEET NO.	
						SD-87916-001	1 OF 5	
				THIS DRAWING CONTAINS INFORMATION THAT IS PROPRIETARY TO MOLEX INCORPORATED AND SHOULD NOT BE USED WITHOUT WRITTEN PERMISSION				

9 8 7 6 5 4 3 2 1

10 9 8 7 6 5 4 3 2 1

F

F

E

E

D

D

C

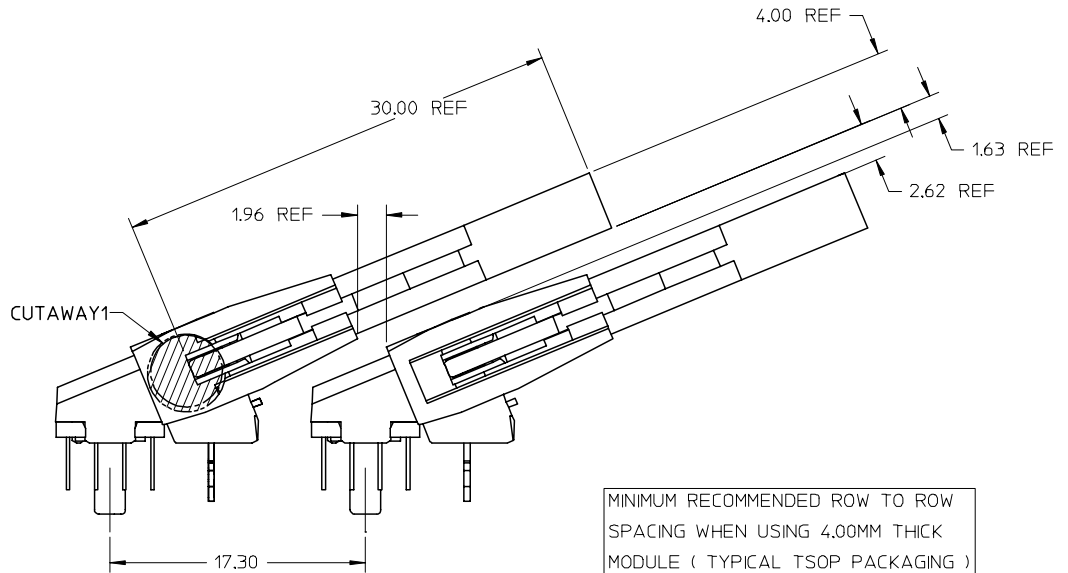
C

B

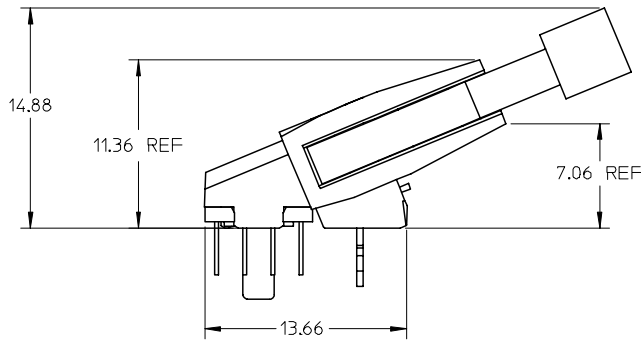
B

A

A

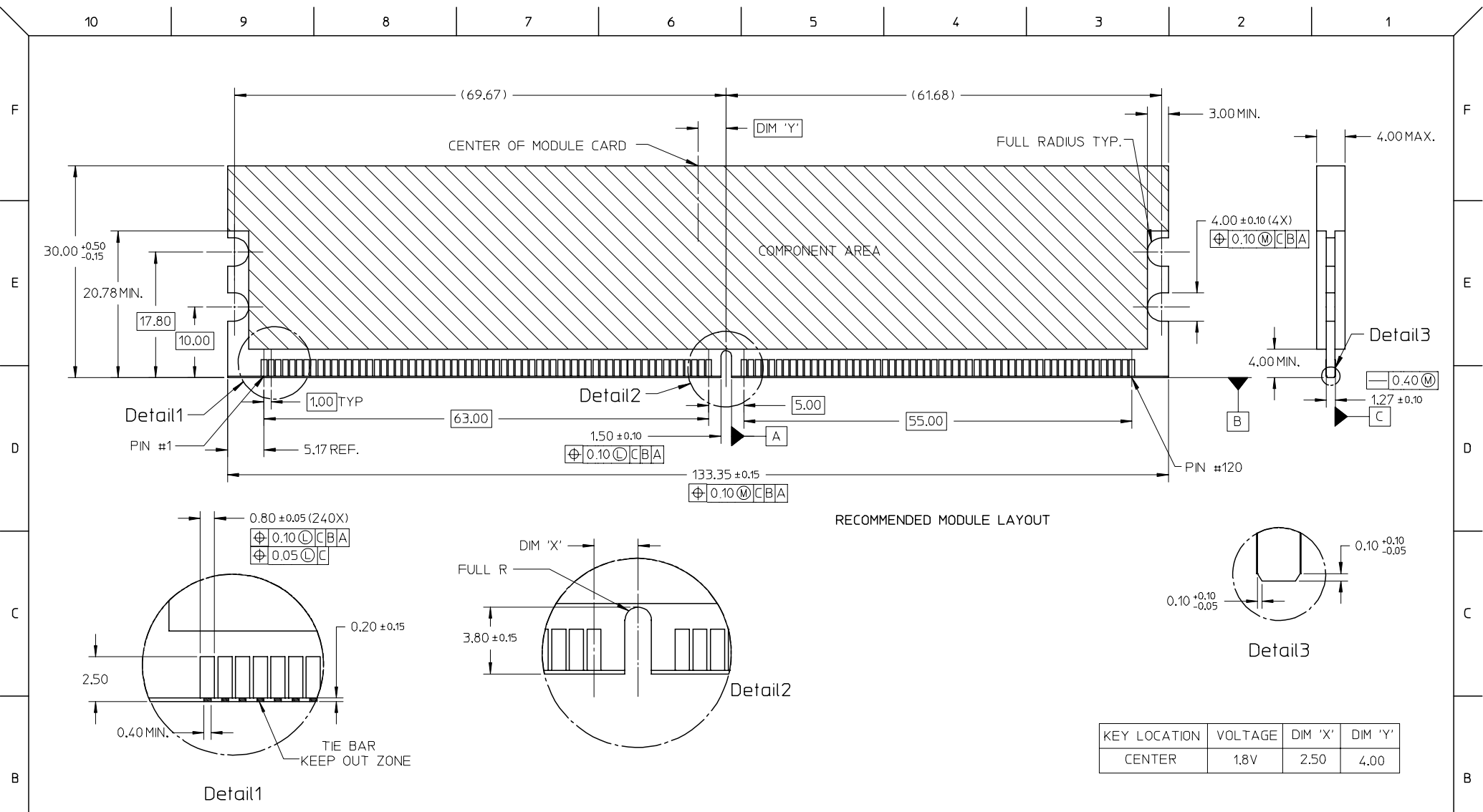


MINIMUM RECOMMENDED ROW TO ROW SPACING WHEN USING 4.00MM THICK MODULE ( TYPICAL TSOP PACKAGING )



ADDED OPTION EC NO: S2008-0329 DRWN: CTEH CHKD: TYANG01 APPR: SILENI	2007/10/24 2007/10/24 2007/10/25	QUALITY SYMBOLS ▽=0 ◻=0	GENERAL TOLERANCES (UNLESS SPECIFIED)		DIMENSION STYLE MM ONLY		SCALE NTS	DESIGN UNITS METRIC	THIRD ANGLE PROJECTION		
			4 PLACES ± --- ± ---	DRAWN BY JTAN	DATE 2004/05/11	TITLE DDR2 DIMM, 1.00MM PITCH 240 CKTS, 22.5 DEG					
			3 PLACES ± --- ± ---	CHECKED BY MLONG	DATE 2004/06/11	MOLEX INCORPORATED					
			2 PLACES ± 0.25 ± ---	APPROVED BY GGLEE	DATE 2004/06/11						
		1 PLACE ± --- ± ---	ANGULAR ± 5 °		MATERIAL NO.	DOCUMENT NO.	SD-87916-001				
A1		REV	DRAFT WHERE APPLICABLE MUST REMAIN WITHIN DIMENSIONS		SEE TABLE		SIZE A3	THIS DRAWING CONTAINS INFORMATION THAT IS PROPRIETARY TO MOLEX INCORPORATED AND SHOULD NOT BE USED WITHOUT WRITTEN PERMISSION			

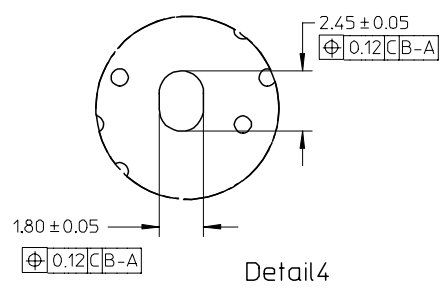
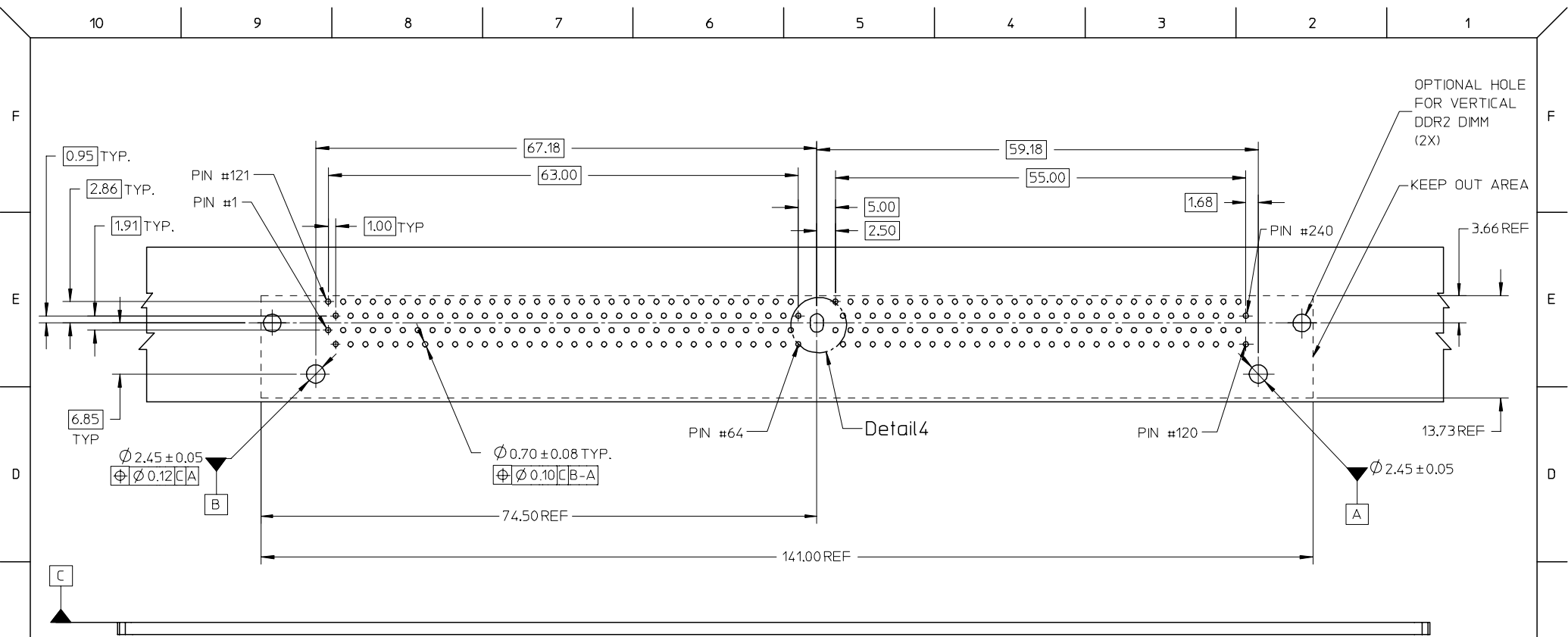
9 8 7 6 5 4 3 2 1



RECOMMENDED MODULE LAYOUT

KEY LOCATION	VOLTAGE	DIM 'X'	DIM 'Y'
CENTER	1.8V	2.50	4.00

ADDED OPTION EC NO: S2008-0329 DRWN: CTEH CHKD: TYANG01 APPR: SHLENI	QUALITY SYMBOLS ▽=0 ◻=0	GENERAL TOLERANCES (UNLESS SPECIFIED)		DIMENSION STYLE MM ONLY		SCALE NTS	DESIGN UNITS METRIC	THIRD ANGLE PROJECTION	
				DRAWN BY JTAN	DATE 2004/05/11	TITLE DDR2 DIMM, 1.00MM PITCH 240 CKTS, 22.5 DEG			
				CHECKED BY MLONG	DATE 2004/06/11	MOLEX INCORPORATED			
				APPROVED BY GGLEE	DATE 2004/06/11	MATERIAL NO. SEE TABLE	DOCUMENT NO. SD-87916-001	SHEET NO. 3 OF 5	
A1	REV	DRAFT WHERE APPLICABLE MUST REMAIN WITHIN DIMENSIONS		SIZE A3		THIS DRAWING CONTAINS INFORMATION THAT IS PROPRIETARY TO MOLEX INCORPORATED AND SHOULD NOT BE USED WITHOUT WRITTEN PERMISSION			



ADDED OPTION	2007/10/24
EC NO: S2008-0329	2007/10/24
DRWN: CTEH	2007/10/24
CHKD: TYANG01	2007/10/25
APPR: SILENI	
REV	DESCRIPTION
A1	

QUALITY SYMBOLS	$\nabla=0$
	$\sphericalangle=0$

GENERAL TOLERANCES (UNLESS SPECIFIED)	mm	INCH
4 PLACES	$\pm$ ---	$\pm$ ---
3 PLACES	$\pm$ ---	$\pm$ ---
2 PLACES	$\pm 0.25$	$\pm$ ---
1 PLACE	$\pm$ ---	$\pm$ ---
ANGULAR $\pm 5^\circ$		
DRAFT WHERE APPLICABLE MUST REMAIN WITHIN DIMENSIONS		

DIMENSION STYLE		SCALE	DESIGN UNITS	THIRD ANGLE PROJECTION
MM ONLY		NTS	METRIC	
DRAWN BY	DATE	TITLE		
JTAN	2004/05/11	DDR2 DIMM, 1.00MM PITCH		
CHECKED BY	DATE	240 CKTS, 22.5 DEG		
MLONG	2004/06/11			
APPROVED BY	DATE	MOLEX INCORPORATED		
GGLEE	2004/06/11			
MATERIAL NO.	DOCUMENT NO.	SHEET NO.		
	SD-87916-001	4 OF 5		
SIZE	THIS DRAWING CONTAINS INFORMATION THAT IS PROPRIETARY TO MOLEX INCORPORATED AND SHOULD NOT BE USED WITHOUT WRITTEN PERMISSION			
A3				

10 9 8 7 6 5 4 3 2 1

F

F

E

E

D

D

C

C

B

B

A

A

PART NO.	VOLTAGE KEY	DIM 'P'	DIM 'O'	RECOMMENDED PCB THICKNESS	CONTACT AREA PLATING	SOLDERTAIL PLATING
87916-0001	1.8V	2.79	3.18	1.57	0.76µM/ 30µ" GOLD OVER 1.27µM/ 50µ" MIN NICKEL	2.54µM/ 100µ" MIN. TIN OVER 1.27µM/ 50µ" MIN NICKEL
87916-0011		3.18	4.83	2.36		
87916-0111		4.00		3.20		

ADDED OPTION EC NO: S2008-0329 DRWN: CTEH CHKD: TYANG01 APPR: SILENI	2007/10/24 2007/10/24 2007/10/25	QUALITY SYMBOLS ▽=0 ◻=0	GENERAL TOLERANCES (UNLESS SPECIFIED)		DIMENSION STYLE MM ONLY		SCALE NTS	DESIGN UNITS METRIC	THIRD ANGLE PROJECTION		
			4 PLACES ± --- ± ---	mm      INCH	DRAWN BY JTAN	DATE 2004/05/11	TITLE DDR2 DIMM, 1.00MM PITCH 240 CKTS, 22.5 DEG				
			3 PLACES ± --- ± ---		CHECKED BY MLONG	DATE 2004/06/11					
			2 PLACES ± 0.25 ± ---		APPROVED BY GGLEE	DATE 2004/06/11	MOLEX INCORPORATED				
			1 PLACE ± --- ± ---		MATERIAL NO.		DOCUMENT NO.		SHEET NO.		
DRAFT WHERE APPLICABLE MUST REMAIN WITHIN DIMENSIONS			SEE TABLE		SD-87916-001		5 OF 5				
SIZE A3			THIS DRAWING CONTAINS INFORMATION THAT IS PROPRIETARY TO MOLEX INCORPORATED AND SHOULD NOT BE USED WITHOUT WRITTEN PERMISSION								

9 8 7 6 5 4 3 2 1