



Chipsmall Limited consists of a professional team with an average of over 10 year of expertise in the distribution of electronic components. Based in Hongkong, we have already established firm and mutual-benefit business relationships with customers from,Europe,America and south Asia,supplying obsolete and hard-to-find components to meet their specific needs.

With the principle of “Quality Parts,Customers Priority,Honest Operation,and Considerate Service”,our business mainly focus on the distribution of electronic components. Line cards we deal with include Microchip,ALPS,ROHM,Xilinx,Pulse,ON,Everlight and Freescale. Main products comprise IC,Modules,Potentiometer,IC Socket,Relay,Connector.Our parts cover such applications as commercial,industrial, and automotives areas.

We are looking forward to setting up business relationship with you and hope to provide you with the best service and solution. Let us make a better world for our industry!



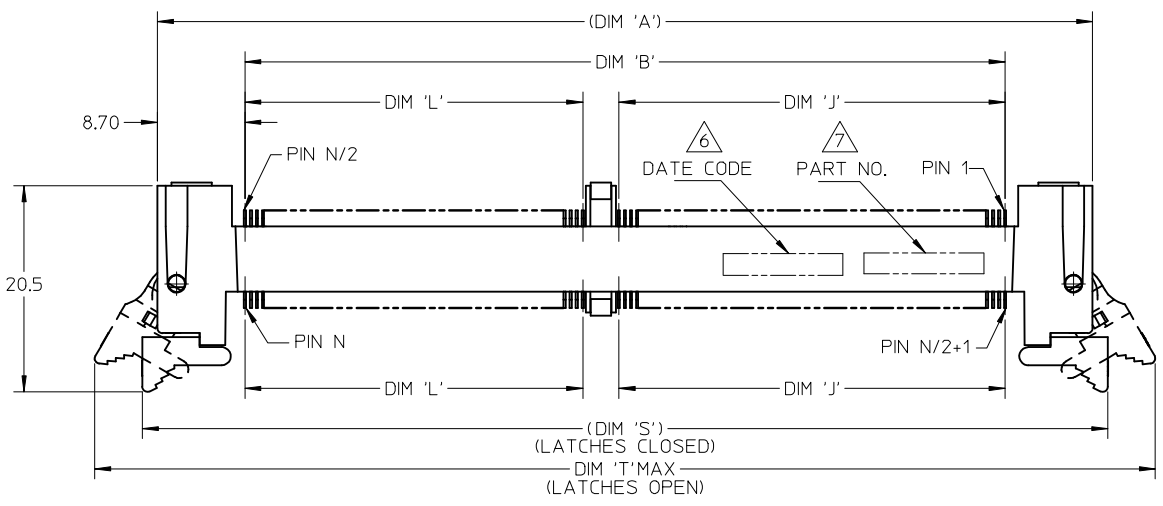
Contact us

Tel: +86-755-8981 8866 Fax: +86-755-8427 6832

Email & Skype: info@chipsmall.com Web: www.chipsmall.com

Address: A1208, Overseas Decoration Building, #122 Zhenhua RD., Futian, Shenzhen, China

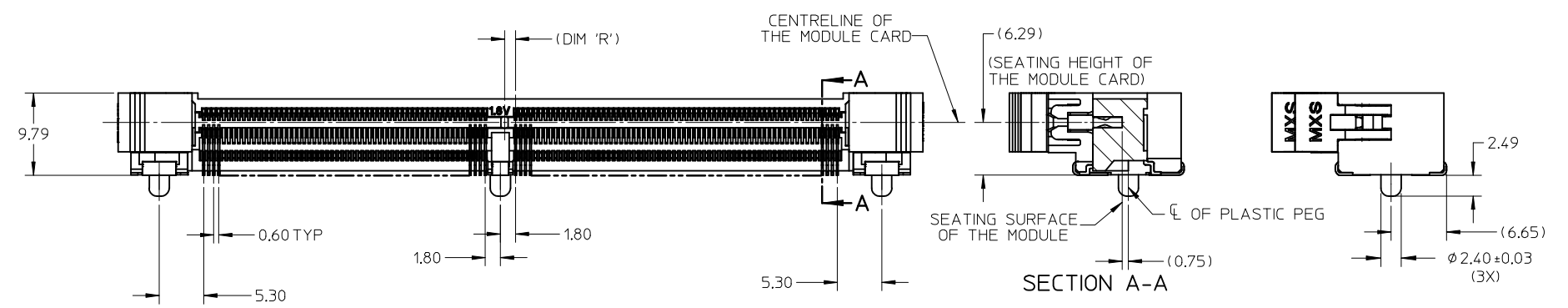




NOTES :

- 1) MATERIAL :
 HOUSING : HIGH TEMPERATURE LIQUID CRYSTAL POLYMER, UL94V-0
 COLOUR : BLACK
 CONTACTS : COPPER ALLOY
 LATCHES : HIGH TEMPERATURE NYLON, UL94V-0
 COLOUR : NATURAL (OFF-WHITE)
- 2) FINISH :
 CONTACT AREA : 0.76 MICROMETER (30 MICROINCH) MIN GOLD OVER
 1.25 MICROMETER (50 MICROINCH) MIN NICKEL
 SOLDER LEADS : 2.54 MICROMETER (100 MICROINCH) MIN TIN OVER
 1.25 MICROMETER (50 MICROINCH) MIN NICKEL
- 3) ACCEPTS 1.0 mm THICK MEMORY MODULE PER JEDEC MO-244 FOR 244 CKTS AND MO-258 FOR 200 CKTS.
- 4) PRODUCT SPECIFICATION : PS-87918-001
- 5) PACKAGING SPECIFICATION: PRODUCT SHALL BE PACKED IN TRAY. SEE TABLE ON SHEET 4.

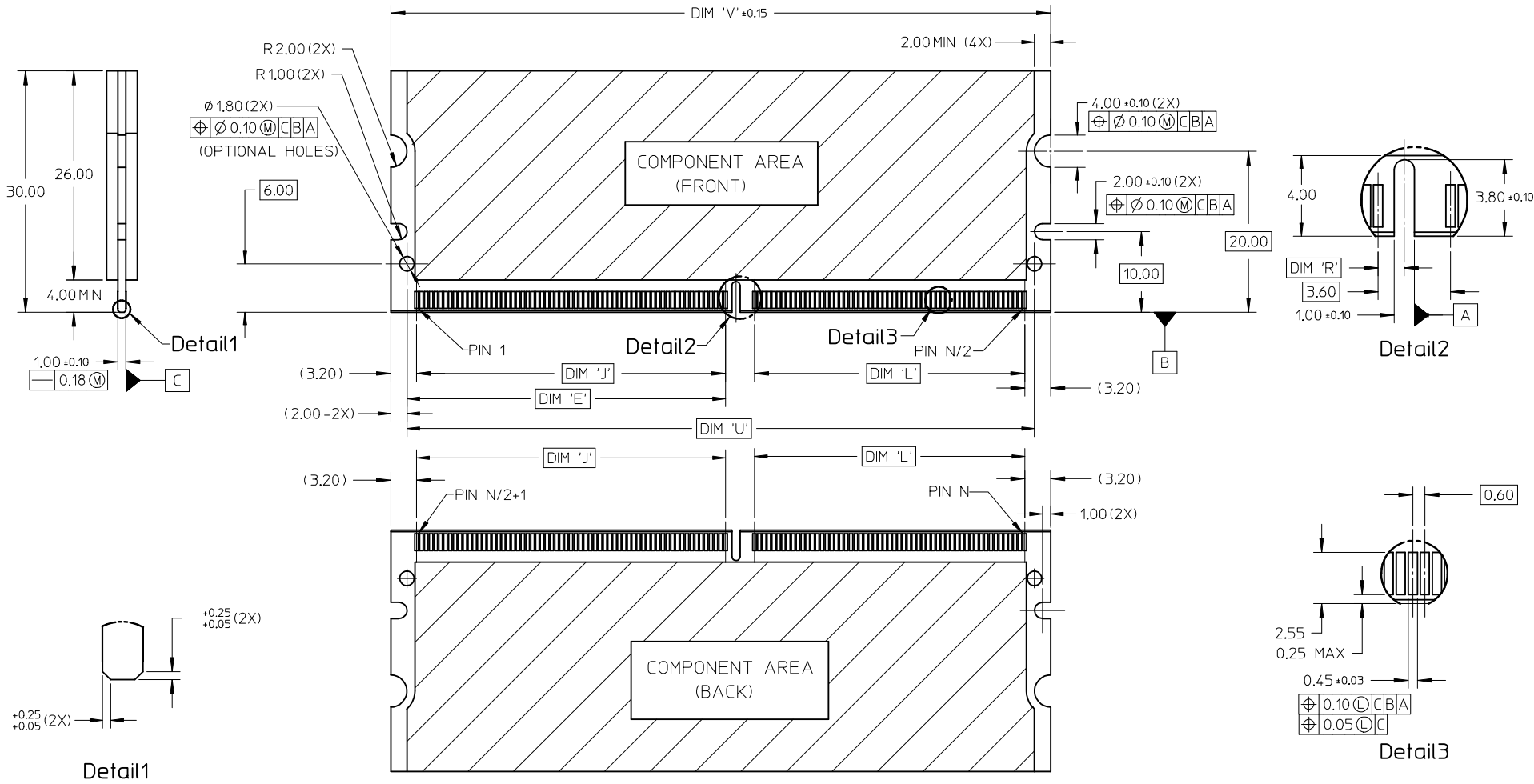
6) DATE CODE SHALL BE MARKED LEGIBLY AS SHOWN :YYDDD
 7) PART NUMBER SHALL BE MARKED LEGIBLY AS SHOWN. 87918-XXXX(REFER TO TABLE)



SECTION A-A

ADD PART NUMBER EC NO: S2014-0858 DRWN: JAKEEMW 2013/12/26 CHKD: CCTEH 2014/03/19 APPR: SHLENI 2014/03/20	QUALITY SYMBOLS $\nabla_A = 0$ $\nabla_C = 0$ $\nabla_F = 0$	GENERAL TOLERANCES (UNLESS SPECIFIED)		DIMENSION STYLE MM ONLY		SCALE NTS	DESIGN UNITS METRIC	THIRD ANGLE PROJECTION		
		4 PLACES \pm --- \pm ---	mm INCH	DRAWN BY EDMUND	DATE 2004/08/17	TITLE MINI DIMM, 0.60MM PITCH 244/200 CKTS STANDARD R/A				
		3 PLACES \pm --- \pm ---		CHECKED BY SRRAMESH	DATE 2005/01/25	molex				
		2 PLACES \pm 0.13 \pm ---		APPROVED BY GGLEE	DATE 2005/01/25					
1 PLACE \pm 0.25 \pm ---		MATERIAL NO. SEE TABLE		DOCUMENT NO. SD-87918-001		SHEET NO. 1 OF 4				
0 PLACE \pm \pm		ANGULAR \pm 1 °		THIS DRAWING CONTAINS INFORMATION THAT IS PROPRIETARY TO MOLEX INCORPORATED AND SHOULD NOT BE USED WITHOUT WRITTEN PERMISSION						
DRAFT WHERE APPLICABLE MUST REMAIN WITHIN DIMENSIONS										

10 9 8 7 6 5 4 3 2 1



9 8 7 6 5 4 3 2 1

ADD PART NUMBER EC NO: S2014-0858 DRWN: JAKEEWEW 2013/12/26 CHKD: CCTEH 2014/03/19 APPR: SILENI 2014/03/20	QUALITY SYMBOLS $F_A=0$ $F_G=0$ $F_P=0$	GENERAL TOLERANCES (UNLESS SPECIFIED)		DIMENSION STYLE MM ONLY		SCALE NTS	DESIGN UNITS METRIC	THIRD ANGLE PROJECTION	
		4 PLACES ± --- ± ---	mm INCH	DRAWN BY EDMUND	DATE 2004/08/17	TITLE MINI DIMM, 0.60MM PITCH 244/200 CKTS STANDARD R/A			
		3 PLACES ± --- ± ---		CHECKED BY SRRAMESH	DATE 2005/01/25	molex			
		2 PLACES ± 0.13 ± ---		APPROVED BY GGLEE	DATE 2005/01/25				
1 PLACE ± 0.25 ± ---		MATERIAL NO. SEE TABLE		DOCUMENT NO. SD-87918-001	SHEET NO. 2 OF 4				
0 PLACE ± ±		ANGULAR ± 1 °		THIS DRAWING CONTAINS INFORMATION THAT IS PROPRIETARY TO MOLEX INCORPORATED AND SHOULD NOT BE USED WITHOUT WRITTEN PERMISSION					
DRAFT WHERE APPLICABLE MUST REMAIN WITHIN DIMENSIONS									

10 9 8 7 6 5 4 3 2 1

F

E

D

C

B

A

F

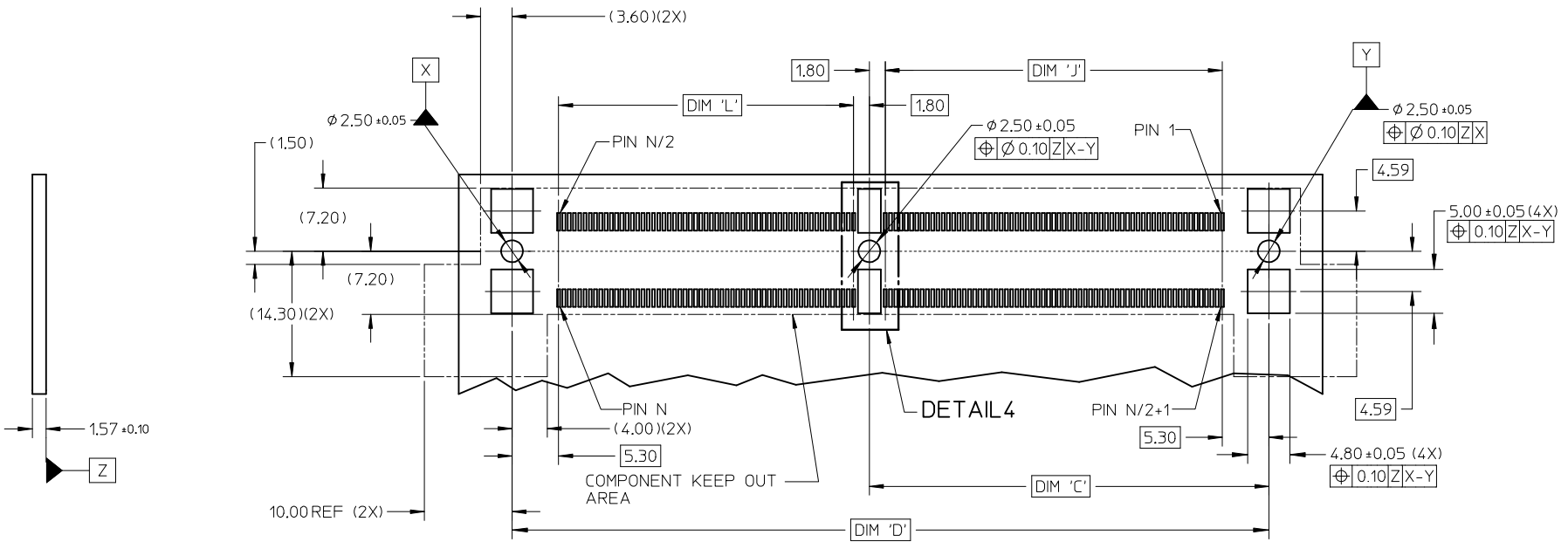
E

D

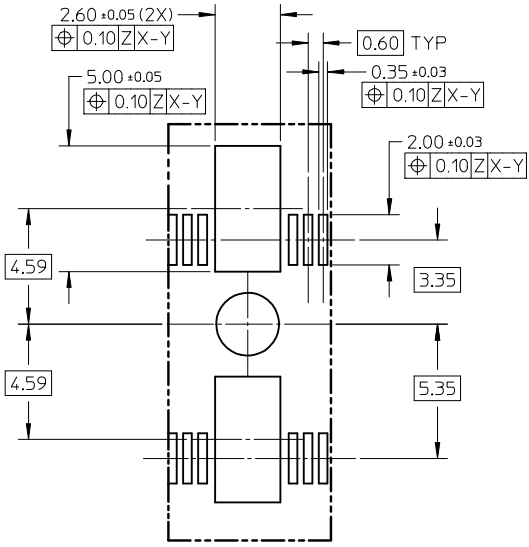
C

B

A



RECOMMENDED PCB LAYOUT



DETAIL 4

ADD PART NUMBER EC NO: S2014-0858 DRWN: JAKEWEW 2013/12/26 CHKD: CCTEH 2014/03/19 APPR: SILENI 2014/03/20	DESCRIPTION QUALITY SYMBOLS $F_A=0$ $F_G=0$ $F_P=0$	GENERAL TOLERANCES (UNLESS SPECIFIED)		DIMENSION STYLE MM ONLY		SCALE NTS	DESIGN UNITS METRIC	THIRD ANGLE PROJECTION		
		mm	INCH	DRAWN BY	DATE	TITLE				
		4 PLACES ± ---	± ---	EDMUND	2004/08/17	MINI DIMM, 0.60MM PITCH				
		3 PLACES ± ---	± ---	CHECKED BY	DATE	244/200 CKTS				
REV B4	DRAFT WHERE APPLICABLE MUST REMAIN WITHIN DIMENSIONS	ANGULAR ± 1 °		MATERIAL NO.		DOCUMENT NO.		SHEET NO.		
		SEE TABLE		GGLEE 2005/01/25		SD-87918-001		3 OF 4		
		THIS DRAWING CONTAINS INFORMATION THAT IS PROPRIETARY TO MOLEX INCORPORATED AND SHOULD NOT BE USED WITHOUT WRITTEN PERMISSION		APPROVED BY DATE		STANDARD R/A				
		SIZE A3		DATE 2005/01/25		molex				

9 8 7 6 5 4 3 2 1

F

F

E

E

D

D

C

C

B

B

A

A

PART NUMBER	CKT SIZE 'N'	MODULE CARD	VOLTAGE KEY	DIM 'R'	DIM 'E'	DIM 'J'	DIM 'L'	DIM 'A'	DIM 'S'	DIM 'T'	DIM 'U'	DIM 'V'	DIM 'C'	DIM 'D'	DIM 'B'	PACKAGING SPECIFICATION
87918-0001	244	DDR2	1.8 V	1.30	39.60	38.40	33.60	93.0	96.0	106.2	78.00	82.00	45.50	86.20	75.60	PK-87918-002
87918-0301		DDR3	1.5 V	2.30												
87918-0201	200	DDR2	1.8 V	1.30	24.60	23.40	35.40	79.8	82.8	93.0	64.80	68.80	30.50	73.00	62.40	PK-87918-001
87918-0202		DDR	2.5 V	2.30												
87918-0009	244	DDR2	1.8 V	1.30	39.60	38.40	33.60	93.0	96.0	106.2	78.00	82.00	45.50	86.20	75.60	PK-87918-005
87918-0302		DDR3	1.5 V	2.30												

ADD PART NUMBER EC NO: S2014-0858 DRWN: JAKEEWEH 2013/12/26 CH'KD: CCTEH 2014/03/19 APPR: SHELNI 2014/03/20	QUALITY SYMBOLS	GENERAL TOLERANCES (UNLESS SPECIFIED)		DIMENSION STYLE	SCALE	DESIGN UNITS	THIRD ANGLE PROJECTION		
	$\nabla_F = 0$	4 PLACES	mm INCH	MM ONLY	NTS	METRIC	MINI DIMM, 0.60MM PITCH		
	$\nabla_G = 0$	3 PLACES	\pm --- \pm ---	DRAWN BY DATE	EDMUND 2004/08/17	TITLE			
	$\nabla_H = 0$	2 PLACES	\pm 0.13 \pm ---	CHECKED BY DATE	SRRAMESH 2005/01/25	244/200 CKTS			
	1 PLACE	\pm 0.25 \pm ---	APPROVED BY DATE	GGLEE 2005/01/25	STANDARD R/A				
	0 PLACE	\pm \pm	MATERIAL NO.		molex				
		ANGULAR \pm 1 °	DRAFT WHERE APPLICABLE MUST REMAIN WITHIN DIMENSIONS	SEE TABLE	DOCUMENT NO.	SD-87918-001		SHEET NO.	
				SIZE A3	THIS DRAWING CONTAINS INFORMATION THAT IS PROPRIETARY TO MOLEX INCORPORATED AND SHOULD NOT BE USED WITHOUT WRITTEN PERMISSION				4 OF 4