



Chipsmall Limited consists of a professional team with an average of over 10 year of expertise in the distribution of electronic components. Based in Hongkong, we have already established firm and mutual-benefit business relationships with customers from,Europe,America and south Asia,supplying obsolete and hard-to-find components to meet their specific needs.

With the principle of "Quality Parts,Customers Priority,Honest Operation,and Considerate Service",our business mainly focus on the distribution of electronic components. Line cards we deal with include Microchip,ALPS,ROHM,Xilinx,Pulse,ON,Everlight and Freescale. Main products comprise IC,Modules,Potentiometer,IC Socket,Relay,Connector.Our parts cover such applications as commercial,industrial, and automotives areas.

We are looking forward to setting up business relationship with you and hope to provide you with the best service and solution. Let us make a better world for our industry!



Contact us

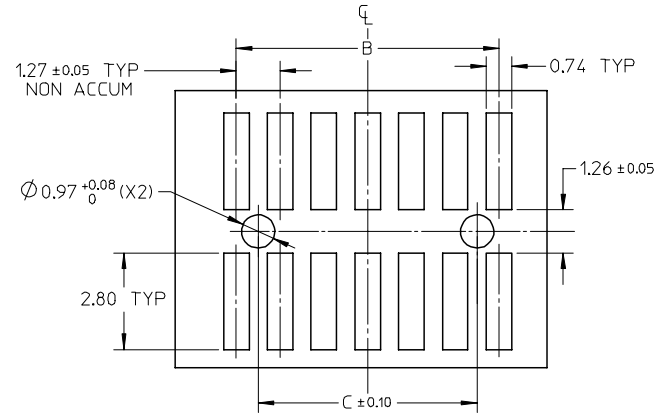
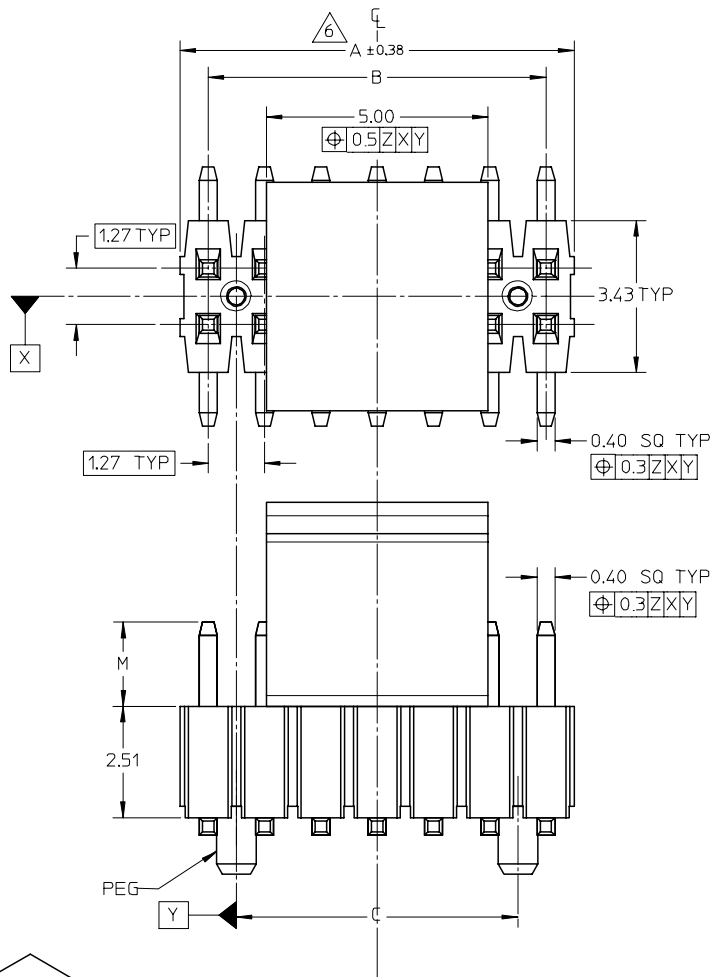
Tel: +86-755-8981 8866 Fax: +86-755-8427 6832

Email & Skype: info@chipsmall.com Web: www.chipsmall.com

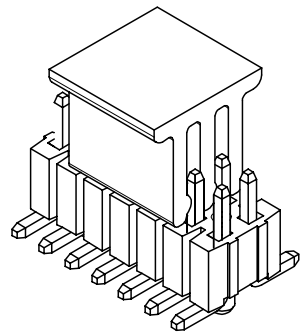
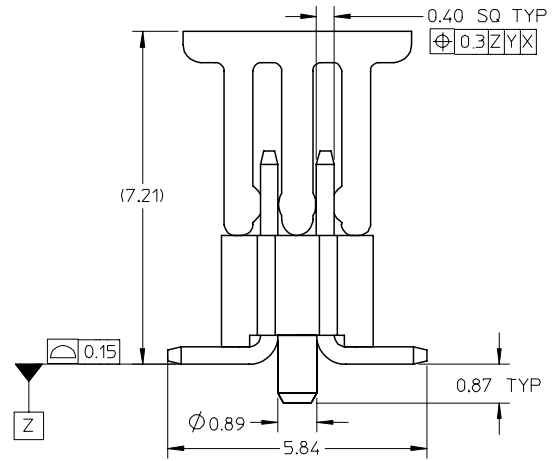
Address: A1208, Overseas Decoration Building, #122 Zhenhua RD., Futian, Shenzhen, China



10 9 8 7 6 5 4 3 2 1



RECOMMENDED P.C.B. LAYOUT



ADD. OPTION	EC NO:	DATE	DESCRIPTION
A2	S2008-0216	2007/10/10	
	DRWN: CWL/AM	2007/10/11	
	CHKD: KWLEE	2007/10/29	
	APPR: KWLEE		

QUALITY SYMBOLS	DESCRIPTION
▽=0	
∇=0	

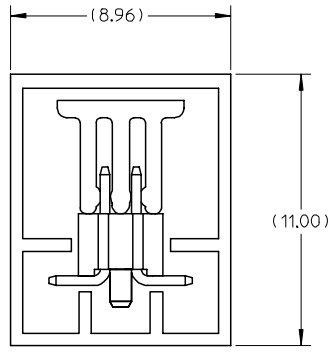
GENERAL TOLERANCES (UNLESS SPECIFIED)	
mm	INCH
4 PLACES ± ---	± ---
3 PLACES ± ---	± ---
2 PLACES ± 0.20	± ---
1 PLACE ± ---	± ---
ANGULAR ± 3 °	
DRAFT WHERE APPLICABLE MUST REMAIN WITHIN DIMENSIONS	

DIMENSION STYLE		SCALE	DESIGN UNITS	THIRD ANGLE PROJECTION
MM ONLY		NTS	METRIC	
DRAWN BY	DATE	TITLE		
LNG	2006/02/14	1.27MM PITCH SMT HEADER WITH PEG AND CAP PACKED IN TUBE		
CHECKED BY	DATE			
BOKOK	2006/03/27			
APPROVED BY	DATE			
PTL IM	2006/03/29			
MATERIAL NO.	DOCUMENT NO.			
	SD-87933-014			
SIZE	SEE TABLE			
A3				

MOLEX INCORPORATED		SHEET NO.
		1 OF 5
THIS DRAWING CONTAINS INFORMATION THAT IS PROPRIETARY TO MOLEX INCORPORATED AND SHOULD NOT BE USED WITHOUT WRITTEN PERMISSION		

9 8 7 6 5 4 3 2 1

CKT. SIZE	DIMENSION		
	A	B	C
10	6.35	5.08	3.81
20	12.70	11.43	10.16
30	19.05	17.78	16.51
40	25.40	24.13	22.86
50	31.75	30.48	29.21
60	38.10	36.83	35.56
68	43.18	41.91	40.64
70	44.45	43.18	41.91
80	50.80	49.53	48.26
90	57.15	55.88	54.61
100	63.50	62.23	60.96



PART W/PEG & CAP
PACKED IN TUBE

- NOTE:
- MATERIAL: HOUSING: LCP GLASS FILLED,
COLOR: BLACK
TERMINAL: COPPER ALLOY
 - PIN PUSHOUT FORCE: 0,4KG MIN. IN EITHER DIRECTION.
 - PLATING FINISH:
 - 2 MINCH MIN. GOLD FLASH OVERALL,
50 MINCH MIN. NICKEL UNDERPLATED
 - 100 MINCH MIN. TIN OVERALL,
50 MINCH MIN. NICKEL UNDERPLATED
 - 30 MINCH MIN. GOLD PLATE IN SELECTED AREA AND
80 MINCH MIN. TIN IN SELECTED AREA OVER,
50 MINCH MIN. NICKEL UNDERPLATED
 - 15 MINCH MIN. GOLD PLATE IN SELECTED AREA AND
80 MINCH MIN. TIN IN SELECTED AREA OVER,
50 MINCH MIN. NICKEL UNDERPLATED
 - THE ABOVE 14 CKT SHOWN IS FOR ILLUSTRATION ONLY.
 - PARTS TO BE PACKED IN TUBE.
 - POSITION OF CAP TO BE LOCATED AT THE CENTER OF DIMENSION (A) REGARDLESS OF CIRCUIT SIZE
 - IRREGULAR CIRCUIT CUTOFF WITHIN BREAKAWAY SECTION IS PERMISSIBLE. CUTTING OR CHIPPING OF THE MAIN BODY IS NOT ACCEPTABLE.
 - PACKAGING SPECIFICATION REFER TO
TUBE : PK-89990-565

ADD. OPTION EC NO: S2008-0216 DRWN: CWLAM CHKD: KWLEE APPR: KWLEE	REV A2	DESCRIPTION 2007/10/10 2007/10/11 2007/10/29	QUALITY SYMBOLS ▽=0 ∇=0	GENERAL TOLERANCES (UNLESS SPECIFIED)		DIMENSION STYLE MM ONLY		SCALE NTS	DESIGN UNITS METRIC	THIRD ANGLE PROJECTION		
					mm	INCH	DRAWN BY LNG	DATE 2006/02/14	TITLE 1.27MM PITCH SMT HEADER WITH PEG AND CAP PACKED IN TUBE			
				4 PLACES	± ---	± ---	CHECKED BY BOKOK	DATE 2006/03/27	APPROVED BY PTL IM			
				3 PLACES	± ---	± ---	DATE 2006/03/29	MATERIAL NO. SD-87933-014				
				2 PLACES	± 0.20	± ---	ANGULAR ± 3 °		DOCUMENT NO. SD-87933-014		SHEET NO. 2 OF 5	
DRAFT WHERE APPLICABLE MUST REMAIN WITHIN DIMENSIONS				SIZE A3		THIS DRAWING CONTAINS INFORMATION THAT IS PROPRIETARY TO MOLEX INCORPORATED AND SHOULD NOT BE USED WITHOUT WRITTEN PERMISSION						

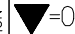
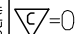
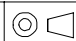
	10	9	8	7	6	5	4	3	2	1					
F	P/N WITH CAP PACKED IN TUBE	PEG	CKT SIZE	PLATING OPTIONS	DIM. M	P/N WITH CAP PACKED IN TUBE	PEG	CKT SIZE	PLATING OPTIONS	DIM. M	P/N WITH CAP PACKED IN TUBE	PEG	CKT SIZE	PLATING OPTIONS	DIM. M
		87933-1007	N	10	1	1.65	87933-2007	N	20	1	1.65	87933-3007	N	30	1
	87933-1008	N	10	2	1.65	87933-2008	N	20	2	1.65	87933-3008	N	30	2	1.65
	87933-1009	N	10	3	1.65	87933-2009	N	20	3	1.65	87933-3009	N	30	3	1.65
	87933-1010	N	10	4	1.65	87933-2010	N	20	4	1.65	87933-3010	N	30	4	1.65
E	87933-1011	N	10	1	1.91	87933-2011	N	20	1	1.91	87933-3011	N	30	1	1.91
	87933-1012	N	10	2	1.91	87933-2012	N	20	2	1.91	87933-3012	N	30	2	1.91
	87933-1013	N	10	3	1.91	87933-2013	N	20	3	1.91	87933-3013	N	30	3	1.91
	87933-1014	N	10	4	1.91	87933-2014	N	20	4	1.91	87933-3014	N	30	4	1.91
	87933-1015	N	10	1	3.05	87933-2015	N	20	1	3.05	87933-3015	N	30	1	3.05
D	87933-1016	N	10	2	3.05	87933-2016	N	20	2	3.05	87933-3016	N	30	2	3.05
	87933-1017	N	10	3	3.05	87933-2017	N	20	3	3.05	87933-3017	N	30	3	3.05
	87933-1018	N	10	4	3.05	87933-2018	N	20	4	3.05	87933-3018	N	30	4	3.05

C	P/N WITH CAP PACKED IN TUBE	PEG	CKT SIZE	PLATING OPTIONS	DIM. M
		87933-4007	N	40	1
	87933-4008	N	40	2	1.65
	87933-4009	N	40	3	1.65
	87933-4010	N	40	4	1.65
B	87933-4011	N	40	1	1.91
	87933-4012	N	40	2	1.91
	87933-4013	N	40	3	1.91
	87933-4014	N	40	4	1.91
A	87933-4015	N	40	1	3.05
	87933-4016	N	40	2	3.05
	87933-4017	N	40	3	3.05
	87933-4018	N	40	4	3.05

ADD. OPTION EC NO: S2008-0216 DRWN: CWLAM CHKD: KWLEE APPR: KWLEE	QUALITY SYMBOLS =0 =0	GENERAL TOLERANCES (UNLESS SPECIFIED)		DIMENSION STYLE MM ONLY		SCALE NTS	DESIGN UNITS METRIC	THIRD ANGLE PROJECTION	
				DRAWN BY DATE BOKOK 2006/02/14		TITLE 1.27MM PITCH SMT HEADER WITH PEG AND CAP PACKED IN TUBE			
				CHECKED BY DATE BOKOK 2006/03/27		MOLEX INCORPORATED			
				APPROVED BY DATE PTLIM 2006/03/29		MATERIAL NO.		DOCUMENT NO. SD-87933-014	
A2		DRAFT WHERE APPLICABLE MUST REMAIN WITHIN DIMENSIONS		SEE TABLE		THIS DRAWING CONTAINS INFORMATION THAT IS PROPRIETARY TO MOLEX INCORPORATED AND SHOULD NOT BE USED WITHOUT WRITTEN PERMISSION			

	10	9	8	7	6	5	4	3	2	1					
F	P/N WITH CAP PACKED IN TUBE	PEG	CKT SIZE	PLATING OPTIONS	DIM. M	P/N WITH CAP PACKED IN TUBE	PEG	CKT SIZE	PLATING OPTIONS	DIM. M	P/N WITH CAP PACKED IN TUBE	PEG	CKT SIZE	PLATING OPTIONS	DIM. M
		87933-5007	Y	50	1	1.65	87933-6007	N	60	1	1.65	87933-6807	N	68	1
	87933-5008	Y	50	2	1.65	87933-6008	N	60	2	1.65	87933-6808	N	68	2	1.65
	87933-5009	Y	50	3	1.65	87933-6009	N	60	3	1.65	87933-6809	N	68	3	1.65
	87933-5010	Y	50	4	1.65	87933-6010	N	60	4	1.65	87933-6810	N	68	4	1.65
E	87933-5011	Y	50	1	1.91	87933-6011	N	60	1	1.91	87933-6811	N	68	1	1.91
	87933-5012	Y	50	2	1.91	87933-6012	N	60	2	1.91	87933-6812	N	68	2	1.91
	87933-5013	Y	50	3	1.91	87933-6013	N	60	3	1.91	87933-6813	N	68	3	1.91
	87933-5014	Y	50	4	1.91	87933-6014	N	60	4	1.91	87933-6814	N	68	4	1.91
	87933-5015	Y	50	1	3.05	87933-6015	N	60	1	3.05	87933-6815	N	68	1	3.05
D	87933-5016	Y	50	2	3.05	87933-6016	N	60	2	3.05	87933-6816	N	68	2	3.05
	87933-5017	Y	50	3	3.05	87933-6017	N	60	3	3.05	87933-6817	N	68	3	3.05
	87933-5018	Y	50	4	3.05	87933-6018	N	60	4	3.05	87933-6818	N	68	4	3.05

C	P/N WITH CAP PACKED IN TUBE	PEG	CKT SIZE	PLATING OPTIONS	DIM. M
		87933-7007	N	70	1
	87933-7008	N	70	2	1.65
	87933-7009	N	70	3	1.65
	87933-7010	N	70	4	1.65
B	87933-7011	N	70	1	1.91
	87933-7012	N	70	2	1.91
	87933-7013	N	70	3	1.91
	87933-7014	N	70	4	1.91
A	87933-7015	N	70	1	3.05
	87933-7016	N	70	2	3.05
	87933-7017	N	70	3	3.05
	87933-7018	N	70	4	3.05

ADD. OPTION EC NO: S2008-0216 DRWN: CWLAM CHKD: KWLEE APPR: KWLEE	QUALITY SYMBOLS  = 0  = 0.20	GENERAL TOLERANCES (UNLESS SPECIFIED)		DIMENSION STYLE MM ONLY		SCALE NTS	DESIGN UNITS METRIC	 THIRD ANGLE PROJECTION	
				DRAWN BY DATE BOKOK 2006/02/14		TITLE 1.27MM PITCH SMT HEADER WITH PEG AND CAP PACKED IN TUBE			
				CHECKED BY DATE BOKOK 2006/03/27		MOLEX INCORPORATED			
				APPROVED BY DATE PTL IM 2006/03/29		MATERIAL NO.		DOCUMENT NO. SD-87933-014	
A2		DRAFT WHERE APPLICABLE MUST REMAIN WITHIN DIMENSIONS		SEE TABLE		THIS DRAWING CONTAINS INFORMATION THAT IS PROPRIETARY TO MOLEX INCORPORATED AND SHOULD NOT BE USED WITHOUT WRITTEN PERMISSION			

	10	9	8	7	6	5	4	3	2	1					
F	P/N WITH CAP PACKED IN TUBE	PEG	CKT SIZE	PLATING OPTIONS	DIM. M	P/N WITH CAP PACKED IN TUBE	PEG	CKT SIZE	PLATING OPTIONS	DIM. M	P/N WITH CAP PACKED IN TUBE	PEG	CKT SIZE	PLATING OPTIONS	DIM. M
		87933-8007	N	80	1	1.65	87933-9007	N	90	1	1.65	87933-1207	N	100	1
	87933-8008	N	80	2	1.65	87933-9008	N	90	2	1.65	87933-1208	N	100	2	1.65
	87933-8009	N	80	3	1.65	87933-9009	N	90	3	1.65	87933-1209	N	100	3	1.65
	87933-8010	N	80	4	1.65	87933-9010	N	90	4	1.65	87933-1211	N	100	4	1.65
E	87933-8011	N	80	1	1.91	87933-9011	N	90	1	1.91	87933-1211	N	100	1	1.91
	87933-8012	N	80	2	1.91	87933-9012	N	90	2	1.91	87933-1212	N	100	2	1.91
	87933-8013	N	80	3	1.91	87933-9013	N	90	3	1.91	87933-1213	N	100	3	1.91
	87933-8014	N	80	4	1.91	87933-9014	N	90	4	1.91	87933-1214	N	100	4	1.91
	87933-8015	N	80	1	3.05	87933-9015	N	90	1	3.05	87933-1215	N	100	1	3.05
D	87933-8016	N	80	2	3.05	87933-9016	N	90	2	3.05	87933-1216	N	100	2	3.05
	87933-8017	N	80	3	3.05	87933-9017	N	90	3	3.05	87933-1217	N	100	3	3.05
	87933-8018	N	80	4	3.05	87933-9018	N	90	4	3.05	87933-1218	N	100	4	3.05



ADD. OPTION EC NO: S2008-0216 DRWN: CWLAM CHKD: KWLEE APPR: KWLEE	2007/10/10 2007/10/11 2007/10/29	DESCRIPTION REV	QUALITY SYMBOLS	GENERAL TOLERANCES (UNLESS SPECIFIED)	DIMENSION STYLE	SCALE	DESIGN UNITS	THIRD ANGLE PROJECTION																		
			$\nabla = 0$ $\triangle = 0$	<table border="1"> <tr> <th></th> <th>mm</th> <th>INCH</th> </tr> <tr> <td>4 PLACES</td> <td>± ---</td> <td>± ---</td> </tr> <tr> <td>3 PLACES</td> <td>± ---</td> <td>± ---</td> </tr> <tr> <td>2 PLACES</td> <td>± 0.20</td> <td>± ---</td> </tr> <tr> <td>1 PLACE</td> <td>± ---</td> <td>± ---</td> </tr> <tr> <td colspan="3">ANGULAR ± 3 °</td> </tr> </table>		mm	INCH	4 PLACES	± ---	± ---	3 PLACES	± ---	± ---	2 PLACES	± 0.20	± ---	1 PLACE	± ---	± ---	ANGULAR ± 3 °			MM ONLY	NTS	METRIC	
				mm	INCH																					
			4 PLACES	± ---	± ---																					
			3 PLACES	± ---	± ---																					
2 PLACES	± 0.20	± ---																								
1 PLACE	± ---	± ---																								
ANGULAR ± 3 °																										
	DRAWN BY	DATE	TITLE	MOLEX INCORPORATED																						
	CHKD BY	DATE																								
	APPROVED BY	DATE																								
			SEE TABLE	MATERIAL NO.	DOCUMENT NO.	SHEET NO.																				
A2			DRAFT WHERE APPLICABLE MUST REMAIN WITHIN DIMENSIONS	A3																						