



Chipsmall Limited consists of a professional team with an average of over 10 year of expertise in the distribution of electronic components. Based in Hongkong, we have already established firm and mutual-benefit business relationships with customers from,Europe,America and south Asia,supplying obsolete and hard-to-find components to meet their specific needs.

With the principle of “Quality Parts,Customers Priority,Honest Operation,and Considerate Service”,our business mainly focus on the distribution of electronic components. Line cards we deal with include Microchip,ALPS,ROHM,Xilinx,Pulse,ON,Everlight and Freescale. Main products comprise IC,Modules,Potentiometer,IC Socket,Relay,Connector.Our parts cover such applications as commercial,industrial, and automotives areas.

We are looking forward to setting up business relationship with you and hope to provide you with the best service and solution. Let us make a better world for our industry!



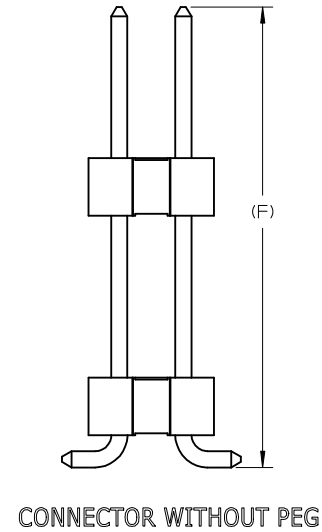
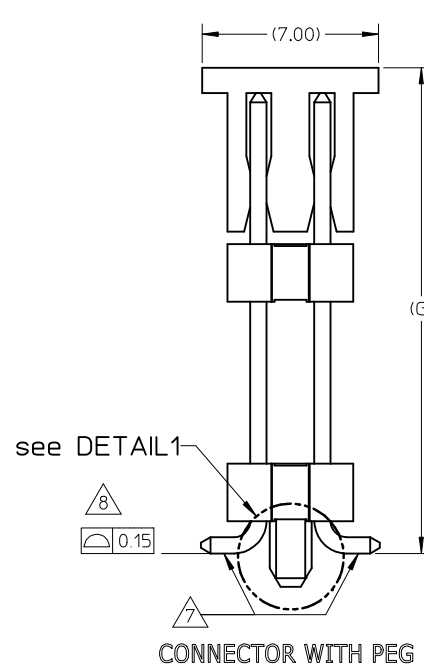
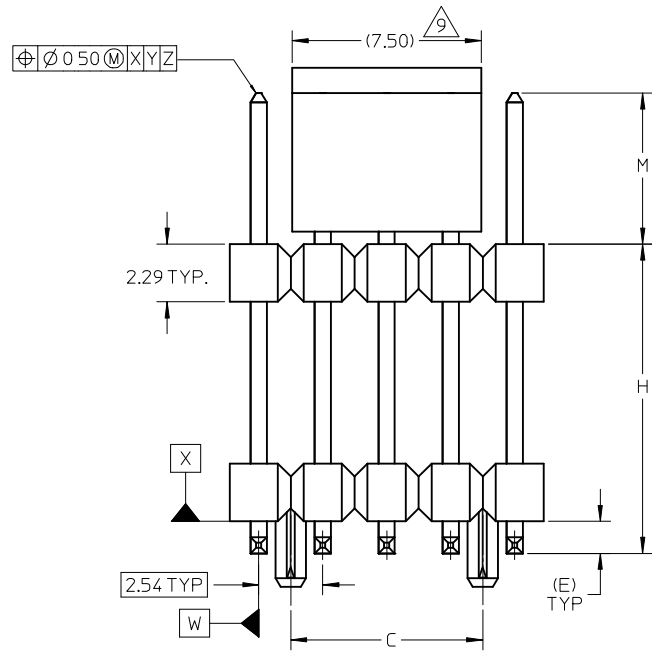
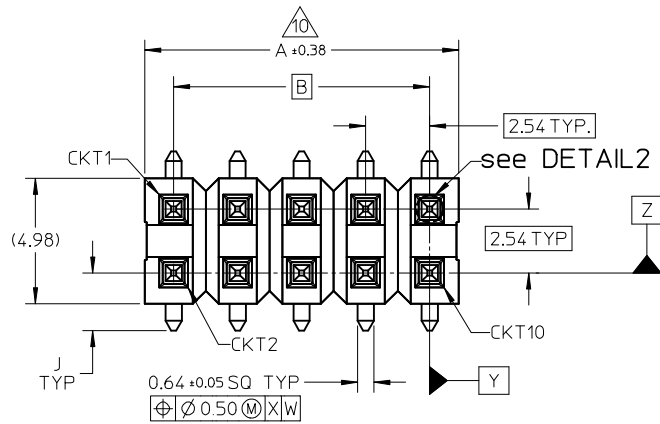
Contact us

Tel: +86-755-8981 8866 Fax: +86-755-8427 6832

Email & Skype: info@chipsmall.com Web: www.chipsmall.com

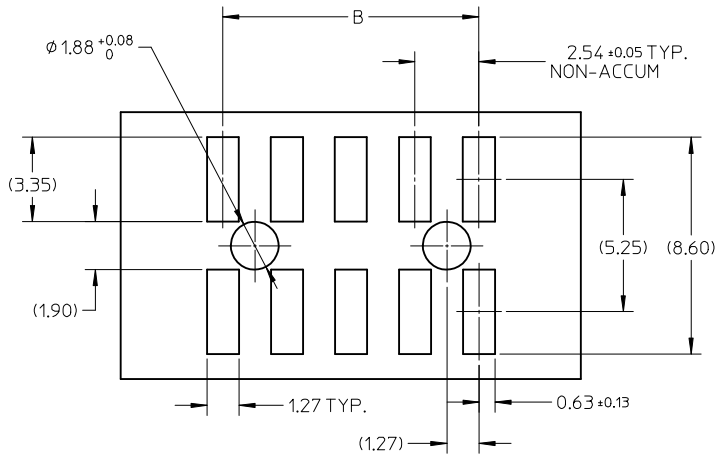
Address: A1208, Overseas Decoration Building, #122 Zhenhua RD., Futian, Shenzhen, China



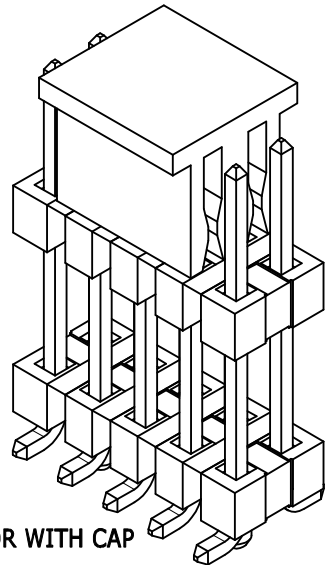


CKT SIZE	DIMENSION		
	A	B	C
04	5.08	2.54	-
06	7.62	5.08	-
08	10.16	7.62	5.08
10	12.70	10.16	7.62
12	15.24	12.70	10.16
14	17.78	15.24	12.70
16	20.32	17.78	15.24
18	22.86	20.32	17.78
20	25.40	22.86	20.32
22	27.94	25.40	22.86
24	30.48	27.94	25.40
26	33.02	30.48	27.94
28	35.56	33.02	30.48
30	38.10	35.56	33.02
32	40.64	38.10	35.56
34	43.18	40.64	38.10
36	45.72	43.18	40.64
38	48.26	45.72	43.18
40	50.80	48.26	45.72

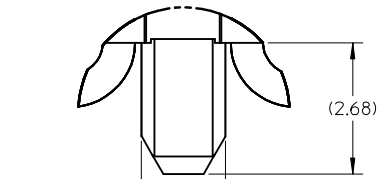
UPDATE DWG EC NO: S2009-0754 DRWN: YMCHEONG CHKD: ATSEE APPR: MLONG	QUALITY SYMBOLS ▽=0 ◻=0	GENERAL TOLERANCES (UNLESS SPECIFIED) <table border="1"> <tr><th></th><th>mm</th><th>INCH</th></tr> <tr><td>4 PLACES</td><td>± ---</td><td>± ---</td></tr> <tr><td>3 PLACES</td><td>± ---</td><td>± ---</td></tr> <tr><td>2 PLACES</td><td>± 0.2</td><td>± ---</td></tr> <tr><td>1 PLACE</td><td>± ---</td><td>± ---</td></tr> </table>		mm	INCH	4 PLACES	± ---	± ---	3 PLACES	± ---	± ---	2 PLACES	± 0.2	± ---	1 PLACE	± ---	± ---	DIMENSION STYLE MM ONLY	SCALE NTS	DESIGN UNITS METRIC	THIRD ANGLE PROJECTION
		mm	INCH																		
	4 PLACES	± ---	± ---																		
	3 PLACES	± ---	± ---																		
2 PLACES	± 0.2	± ---																			
1 PLACE	± ---	± ---																			
DESCRIPTION CUSTOM HEADER CGRID, DUAL ROW HDR, DUAL BODY, SMT W/PEGS, VERT.	DRAWN BY SKLIM01	DATE 2006/06/29	TITLE	MOLEX INCORPORATED	DOCUMENT NO. SD-87939-017	SHEET NO. 1 OF 4															
DRAFT WHERE APPLICABLE MUST REMAIN WITHIN DIMENSIONS	APPROVED BY PATEY	DATE 2006/07/07	MATERIAL NO. SEE TABLE	THIS DRAWING CONTAINS INFORMATION THAT IS PROPRIETARY TO MOLEX INCORPORATED AND SHOULD NOT BE USED WITHOUT WRITTEN PERMISSION																	
REV A7	SIZE A3																				



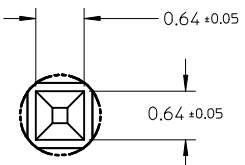
RECOMMENDED PCB LAYOUT: SOLDER SIDE



ISO VIEW CONNECTOR WITH CAP



DETAIL 1



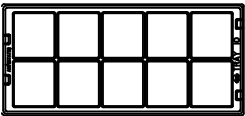
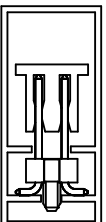
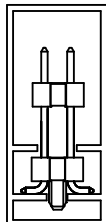

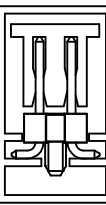
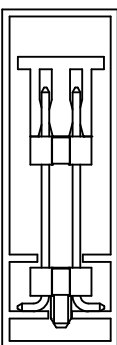
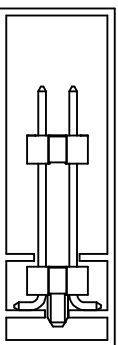
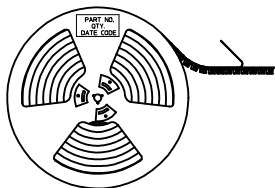
DETAIL 2

NOTES

1. MATERIAL:
 - HSG: LCP, GLASS-FILLED, UL94V-0, COLOR: BLACK
 - CAP: NYLON, GLASS-FILLED, UL94V-0, COLOR: BLACK
 - PIN: 0.64MM SQ, COPPER ALLOY
2. PLATING TYPE:
 - (1) GOLD FLASH OVER
1.25μm MIN. NICKEL OVERALL
 - (2) 0.05μm MIN. GOLD PLATE ON CONTACT AND
2.50μm MIN. TIN ON SOLDER TAIL OVER
1.25μm MIN. NICKEL OVERALL.
 - (3) 0.38μm MIN. GOLD PLATE ON CONTACT AND
2.00μm MIN. TIN ON SOLDER TAIL OVER
1.25μm MIN. NICKEL OVERALL.
 - (4) 0.75μm MIN. GOLD PLATE ON CONTACT AND
2.00μm MIN. TIN ON SOLDER TAIL OVER
1.25μm MIN. NICKEL OVERALL.
 - (5) 2.50μm MIN. TIN OVERALL
1.25μm MIN. NICKEL OVERALL
3. PACKAGING TYPE: SEE TABLE
4. PCB THICKNESS 1.60+/-0.10mm
5. PRODUCT SPECIFICATION: PS-87920-019
6. WAFER TO BE FLAT WITHIN 0.003 mm/mm
7. BEND DEPRESSION IS ACCEPTED SO LONG AS IT DOES NOT AFFECT THE OVERALL COPLANARITY OF TAIL
8. COPLANARITY IS TO BE MEASURED BY RESTING THE SOLDER TAIL ON A FLAT SURFACE
9. CAP LOCATION IS CENTERED ALONG THE MATING ENDS AS SHOWN. TOP SURFACE OF CAP TO BE FLAT FOR THE PURPOSE OF PICK & PLACE BY VACUUM SUCTION NOZZLE
10. IRREGULAR CIRCUIT CUTOFF WITHIN BREAKAWAY SECTION IS PERMISSIBLE. CUTTING OR CHIPPING OF THE MAIN BODY IS NOT ACCEPTABLE
11. PARTS ARE NOT STACKABLE ON 2.54 CENTER
12. THE ABOVE CKT 10 IS FOR ILLUSTRATION PURPOSE ONLY
13. TUBE LENGTH IS 560MM PER STANDARD
14. PACKAGING SPECIFICATION: PLS REFER TO SHEET 3

UPDATE DWG EC NO: S2009-0754 DRWN: YMCHEONG CHKD: ATSEE APPR: MLONG	2009/04/14 2009/04/15 2009/04/15	DESCRIPTION REV	QUALITY SYMBOLS	GENERAL TOLERANCES (UNLESS SPECIFIED)	DIMENSION STYLE	SCALE	DESIGN UNITS	THIRD ANGLE PROJECTION		
			▼=0	mm INCH	MM ONLY	NTS	METRIC			
			∇=0	4 PLACES ± --- ± ---	DRAWN BY SKLIM01	DATE 2006/06/29	TITLE			
				3 PLACES ± --- ± ---	CHECKED BY PATEY	DATE 2006/07/07	CUSTOM HEADER			
	2 PLACES ± 0.2 ± ---	APPROVED BY PATEY	DATE 2006/07/07	CGRID, DUAL ROW HDR, DUAL						
	1 PLACE ± --- ± ---			BODY, SMT W/PEGS, VERT.						
	ANGULAR ± 3 °			MOLEX MOLEX INCORPORATED						
	DRAFT WHERE APPLICABLE MUST REMAIN WITHIN DIMENSIONS			MATERIAL NO. SEE TABLE	DOCUMENT NO. SD-87939-017	SHEET NO. 2 OF 4				
				SIZE A3	THIS DRAWING CONTAINS INFORMATION THAT IS PROPRIETARY TO MOLEX INCORPORATED AND SHOULD NOT BE USED WITHOUT WRITTEN PERMISSION					

PACKAGING SPECIFICATION OVERVIEW

ITEM	PACKAGING TYPE	PACKAGING SPECIFICATION	RECOMMENDED LOADED ASSY HEIGHT	PART PACKED IN PACKAGING ORIENTATION (FOR REF. USE ONLY)	ITEM	PACKAGING TYPE	PACKAGING SPECIFICATION	RECOMMENDED LOADED ASSY HEIGHT	PART PACKED IN PACKAGING ORIENTATION (FOR REF. USE ONLY)
1	TRAY	PK-89990-489	DIM G/F= 60.0MM MAX.		4	TUBE	PK-89990-507	DIM G/F= <16.0MM	  HEADER WITH CAP IN TUBE HEADER WITHOUT CAP IN TUBE
2	BULK	PK-89990-491	-		5	TUBE	PK-89990-478	DIM G/F= 10.7MM MAX.	 ONLY PACKED HEADER WITH CAP IN TUBE
3	TUBE	PK-89990-508	DIM G/F= 16.1~23.0MM	 HEADER WITH CAP IN TUBE  HEADER WITHOUT CAP IN TUBE	6	TAPE & REEL	PK-89990-486 (REEL ϕ : 330.0 MAX.)	DIM G/F= 15.0MM MAX.	

UPDATE DWG EC NO: S2009-0754 DRWN: YMCHEONG CHKD: ATSEE APPR: MLONG	2009/04/14 2009/04/15 2009/04/15	DESCRIPTION REV	QUALITY SYMBOLS	GENERAL TOLERANCES (UNLESS SPECIFIED)	DIMENSION STYLE MM ONLY	SCALE NTS	DESIGN UNITS METRIC	THIRD ANGLE PROJECTION		
			▽=0 □=0		mm INCH	DRAWN BY DATE SKLIM01 2006/06/29	TITLE CUSTOM HEADER CGRID, DUAL ROW HDR, DUAL BODY, SMT W/PEGS, VERT.			
					4 PLACES ± --- ± --- 3 PLACES ± --- ± --- 2 PLACES ± 0.2 ± --- 1 PLACE ± --- ± ---	CHECKED BY DATE PATEY 2006/07/07				
					ANGULAR ± 3 °	APPROVED BY DATE PATEY 2006/07/07	MOLEX INCORPORATED			
A7			DRAFT WHERE APPLICABLE MUST REMAIN WITHIN DIMENSIONS	MATERIAL NO. SEE TABLE	DOCUMENT NO. SD-87939-017	SHEET NO. 3 OF 4				

10 9 8 7 6 5 4 3 2 1

PART NUMBER IN PACKAGING OPTION

DIMENSION

TRAY PACKED WITH CAP	TRAY PACKED WITHOUT CAP	TUBE WITH CAP	TUBE WITHOUT CAP	TAPE & REEL WITH CAP	BULK PACKED WITH CAP	BULK PACKED WITHOUT CAP	CKT SIZE	PEG	PLATE OPT.	PK SPEC.	G	F	MATING END		E	J
													M	H		
-	-	-	87939-0800	-	-	-	8	Y	5	3	-	23.10	5.24	17.86	1.27	2.28
-	-	-	87939-0002	-	-	-	12	N	3	4	-	14.40	5.90	8.50	1.27	2.22
-	-	-	87939-2000	-	-	-	20	Y	5	3	-	20.00	4.65	15.35	1.27	2.28
-	87939-0034	-	-	-	-	-	34	Y	5	1	-	17.89	2.79	15.10	1.27	2.28
-	-	-	87939-0003	-	-	-	40	N	3	4	-	14.40	5.90	8.50	1.27	2.22
-	87939-2801	-	-	-	-	-	28	Y	5	1	-	16.89	3.68	13.21	1.27	2.28
-	87939-2802	-	-	-	-	-	28	N	5	1	-	16.89	3.68	13.21	1.27	2.28
-	87939-4001	-	-	-	-	-	40	Y	4	1	-	14.40	8.00	6.40	1.27	2.28

UPDATE DWG EC NO: S2009-0754 DRWN: YMCHEONG CHKD: ATSEE APPR: MLONG	2009/04/14 2009/04/15 2009/04/15	DESCRIPTION REV	QUALITY SYMBOLS ▽=0 ◻=0	GENERAL TOLERANCES (UNLESS SPECIFIED) mm INCH 4 PLACES ± --- ± --- 3 PLACES ± --- ± --- 2 PLACES ± 0.2 ± --- 1 PLACE ± --- ± --- ANGULAR ± 3 °	DIMENSION STYLE MM ONLY DRAWN BY: SKLIM01 DATE: 2006/06/29 CHECKED BY: PATEY DATE: 2006/07/07 APPROVED BY: PATEY DATE: 2006/07/07	SCALE: NTS DESIGN UNITS: METRIC THIRD ANGLE PROJECTION	TITLE: CUSTOM HEADER CGRID, DUAL ROW HDR, DUAL BODY, SMT W/PEGS, VERT. MOLEX INCORPORATED	MATERIAL NO.: SEE TABLE DOCUMENT NO.: SD-87939-017 SHEET NO.: 4 OF 4		
			DRAFT WHERE APPLICABLE MUST REMAIN WITHIN DIMENSIONS				THIS DRAWING CONTAINS INFORMATION THAT IS PROPRIETARY TO MOLEX INCORPORATED AND SHOULD NOT BE USED WITHOUT WRITTEN PERMISSION			
			SIZE: A3				SEE TABLE			
			A7				SD-87939-017			

9 8 7 6 5 4 3 2 1