



Chipsmall Limited consists of a professional team with an average of over 10 year of expertise in the distribution of electronic components. Based in Hongkong, we have already established firm and mutual-benefit business relationships with customers from,Europe,America and south Asia,supplying obsolete and hard-to-find components to meet their specific needs.

With the principle of “Quality Parts,Customers Priority,Honest Operation,and Considerate Service”,our business mainly focus on the distribution of electronic components. Line cards we deal with include Microchip,ALPS,ROHM,Xilinx,Pulse,ON,Everlight and Freescale. Main products comprise IC,Modules,Potentiometer,IC Socket,Relay,Connector.Our parts cover such applications as commercial,industrial, and automotives areas.

We are looking forward to setting up business relationship with you and hope to provide you with the best service and solution. Let us make a better world for our industry!



Contact us

Tel: +86-755-8981 8866 Fax: +86-755-8427 6832

Email & Skype: info@chipsmall.com Web: www.chipsmall.com

Address: A1208, Overseas Decoration Building, #122 Zhenhua RD., Futian, Shenzhen, China



10 9 8 7 6 5 4 3 2 1

F F

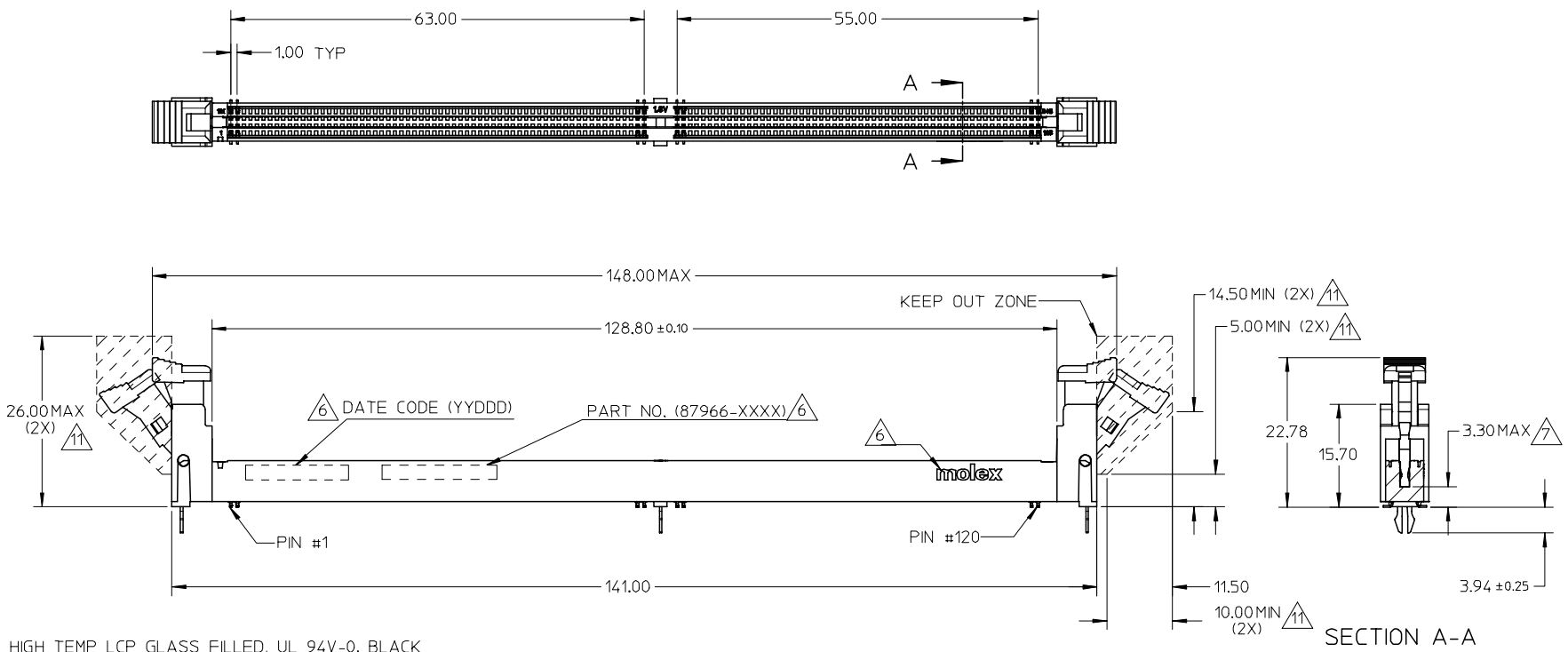
E E

D D

C C

B B

A A



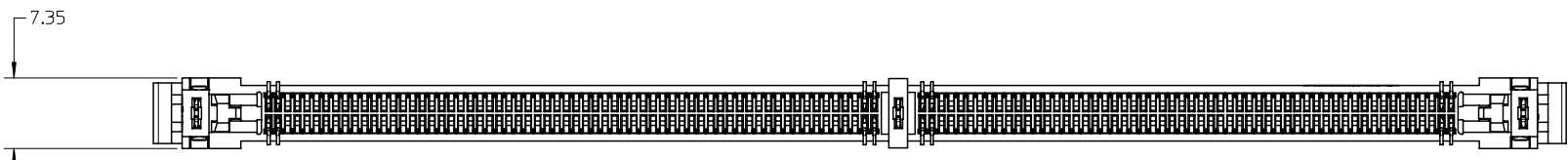
- NOTES:
- MATERIALS
HOUSING - HIGH TEMP LCP GLASS FILLED, UL 94V-0, BLACK
EJECTORS - HIGH TEMP NYLON GLASS FILLED, UL 94V-0, BLACK
TERMINALS - COPPER ALLOY
 - PLATING OPTION - PLS REFER TO SHEET 5.
 - CARD SLOT ACCEPTS 1.27±0.10MM MODULE THICKNESS. (MEASURED OVER PC PADS)
 - RECOMMENDED MODULE LAYOUT SHALL BE AS PER JEDEC MO-237. PLS REFER TO SHEET 3.
 - PRODUCT IS PACKED INTO TRAYS.
 - MOLEX LOGO, DATE CODE & PART NO. INDICATED ON HOUSING.
 - DIMM MODULE SEATING PLANE FROM TOP OF PCB.
 - COPLANARITY FOR SOLDER TAILS SHALL NOT EXCEED 0.20MM.
 - REFER TO PRODUCT SPEC. PS-87966-001 FOR PERFORMANCE SPECIFICATIONS.
 - THE KEEP OUT AREA IS THE AREA WHERE THE CONNECTOR IS MOUNTED ONTO THE PCB, WHICH DOES NOT INCLUDE THE LATCH.
 - KEEP OUT ZONE AS PER JEDEC SO-001.
 - CONTACT MOLEX FOR AVAILABILITY OF PRODUCT OPTIONS.

REVISED PAD SIZE EC NO: S2007-0667 DRWN: CCTEH CHKD: SRAMESH APPR: SILENI	DESCRIPTION 2007/02/08 2007/02/08 2007/02/09	QUALITY SYMBOLS	GENERAL TOLERANCES (UNLESS SPECIFIED)	DIMENSION STYLE	SCALE	DESIGN UNITS	THIRD ANGLE PROJECTION
		$\nabla=0$ $\nabla C=0$	mm INCH 4 PLACES ± --- ± --- 3 PLACES ± --- ± --- 2 PLACES ± 0.10 ± --- 1 PLACE ± --- ± --- ANGULAR ± 1 °	MM ONLY	NTS	METRIC	TITLE DDR2 DIMM, 1.00MM PITCH 240 CKTS, SMT
		DRAWN BY CCTEH CHECKED BY SRAMESH APPROVED BY GGLEE	DATE 2005/10/19 DATE 2005/11/21 DATE 2005/11/21	MATERIAL NO. SEE TABLE	DOCUMENT NO. SD-87966-002	SHEET NO. 1 OF 5	
		DRAFT WHERE APPLICABLE MUST REMAIN WITHIN DIMENSIONS	SIZE A3	THIS DRAWING CONTAINS INFORMATION THAT IS PROPRIETARY TO MOLEX INCORPORATED AND SHOULD NOT BE USED WITHOUT WRITTEN PERMISSION			

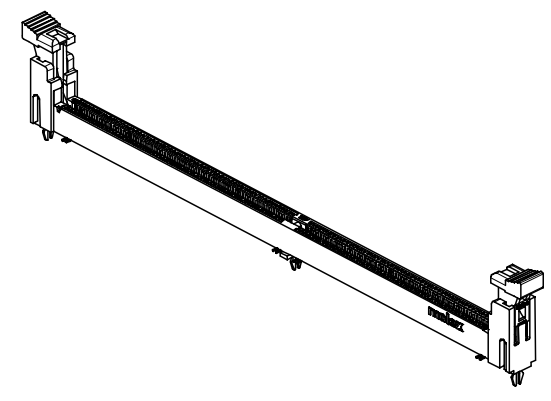
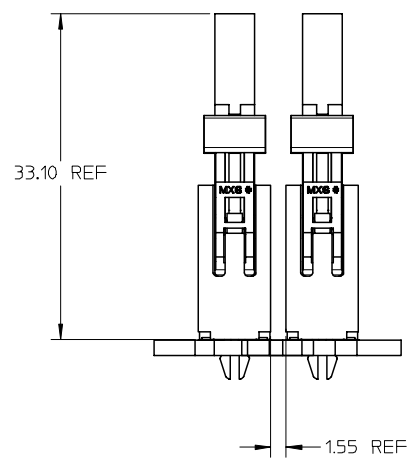
9 8 7 6 5 4 3 2 1

10 9 8 7 6 5 4 3 2 1

F



E



D

C

B

A

REVISED PAD SIZE
 EC NO: S2007-0667
 DRWN: CCTEH
 CHKD: SRRAMESH
 APPR: SHLENI

DESCRIPTION
 2007/02/08
 2007/02/08
 2007/02/09

	GENERAL TOLERANCES (UNLESS SPECIFIED)	
	mm	INCH
4 PLACES	± ---	± ---
3 PLACES	± ---	± ---
2 PLACES	± 0.10	± ---
1 PLACE	± ---	± ---
ANGULAR ± 1 °		

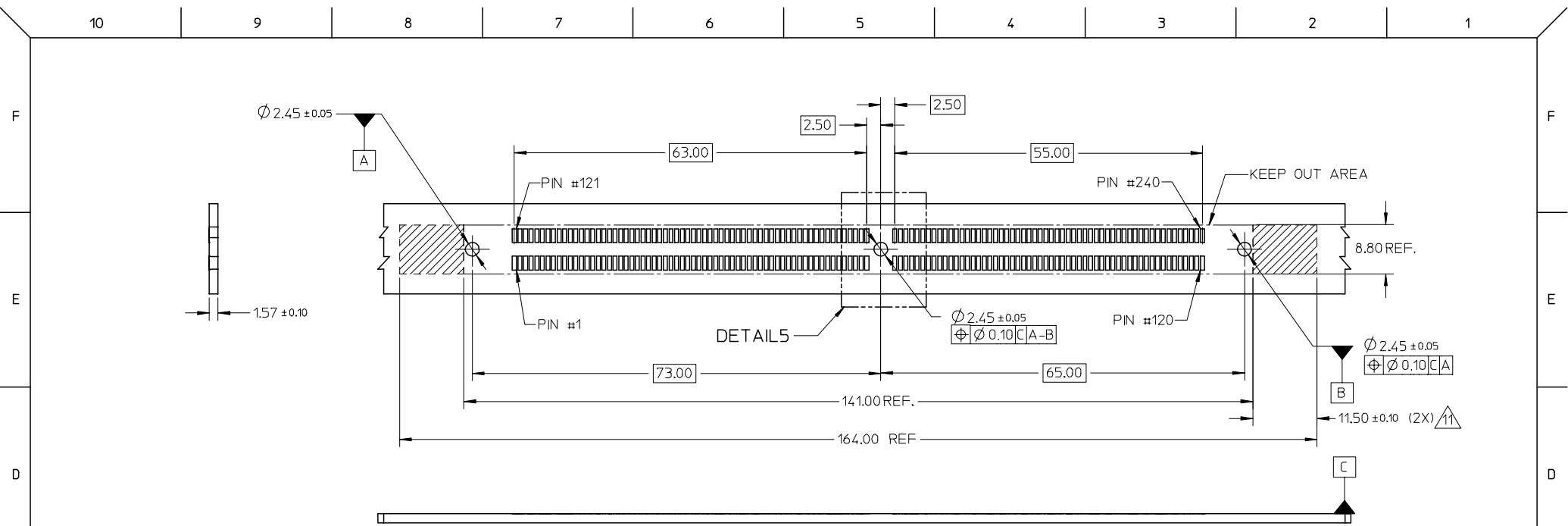
DIMENSION STYLE		SCALE	DESIGN UNITS
MM ONLY		NTS	METRIC
DRAWN BY	DATE	TITLE	
CCTEH	2005/10/19	DDR2 DIMM, 1.00MM PITCH	
CHECKED BY	DATE		
SRRAMESH	2005/11/21	240 CKTS, SMT	
APPROVED BY	DATE		
GGLEE	2005/11/21		
MATERIAL NO.		DOCUMENT NO.	SHEET NO.
SEE TABLE		SD-87966-002	2 OF 5

THIRD ANGLE PROJECTION

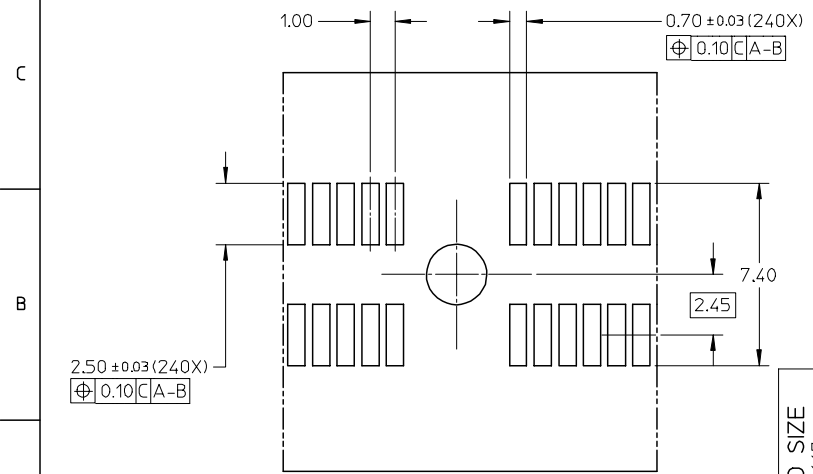
MOLEX INCORPORATED

THIS DRAWING CONTAINS INFORMATION THAT IS PROPRIETARY TO MOLEX INCORPORATED AND SHOULD NOT BE USED WITHOUT WRITTEN PERMISSION

9 8 7 6 5 4 3 2 1



RECOMMENDED STENCIL THICKNESS = 150µM.



DETAILS 5

REVISED PAD SIZE	DESCRIPTION
EC NO: S2007-0667	2007/02/08
DRWN: CCTEH	2007/02/08
CHKD: SRRAMESH	2007/02/08
APPR: SILENI	2007/02/09
B1	REV

QUALITY SYMBOLS	VALUE
▽=0	
▽=0	

GENERAL TOLERANCES (UNLESS SPECIFIED)	
	mm INCH
4 PLACES	± --- ± ---
3 PLACES	± --- ± ---
2 PLACES	± 0.10 ± ---
1 PLACE	± --- ± ---
ANGULAR ± 1 °	
DRAFT WHERE APPLICABLE MUST REMAIN WITHIN DIMENSIONS	

DIMENSION STYLE	
MM ONLY	
DRAWN BY	DATE
CCTEH	2005/10/19
CHECKED BY	DATE
SRRAMESH	2005/11/21
APPROVED BY	DATE
GGLEE	2005/11/21
MATERIAL NO.	
SEE TABLE	
SIZE	
A3	

SCALE	DESIGN UNITS	THIRD ANGLE PROJECTION
NTS	METRIC	
TITLE		
DDR2 DIMM, 100MM PITCH 240 CKTS, SMT		
MOLEX INCORPORATED		
DOCUMENT NO.		SHEET NO.
SD-87966-002		4 OF 5
THIS DRAWING CONTAINS INFORMATION THAT IS PROPRIETARY TO MOLEX INCORPORATED AND SHOULD NOT BE USED WITHOUT WRITTEN PERMISSION		

10 9 8 7 6 5 4 3 2 1

ASSEMBLY PART NO.	VOLTAGE KEY POS.	PLATING	LATCH COLOR	LUBRICATION
87966-0001	CENTRE 1.8V	0.76μM (30μ IN) MIN. GOLD ON CONTACT	BLACK	NO
87966-0002		2.54μM (100μ IN) MIN. TIN ON SOLDERTAILS		YES
		1.27μM (50μ IN) MIN. NICKEL UNDERPLATE		

F

E

D

C

B

A

F

E

D

C

B

A

REVISED PAD SIZE EC NO: S2007-0667 DRWN: CTEH CHKD: SRRAMESH APPR: SILENI	2007/02/08 2007/02/08 2007/02/09	DESCRIPTION REV	QUALITY SYMBOLS	GENERAL TOLERANCES (UNLESS SPECIFIED)	DIMENSION STYLE	SCALE	DESIGN UNITS	THIRD ANGLE PROJECTION
			$\nabla = 0$ $\triangle = 0$	mm INCH 4 PLACES ± --- ± --- 3 PLACES ± --- ± --- 2 PLACES ± 0.10 ± --- 1 PLACE ± --- ± --- ANGULAR ± 1 °	MM ONLY	NTS	METRIC	TITLE DDR2 DIMM, 1.00MM PITCH 240 CKTS, SMT
				DRAFT WHERE APPLICABLE MUST REMAIN WITHIN DIMENSIONS	DRAWN BY DATE CTEH 2005/10/19 CHECKED BY DATE SRRAMESH 2005/11/21 APPROVED BY DATE GGLEE 2005/11/21			
			B1			SEE TABLE		SD-87966-002

9 8 7 6 5 4 3 2 1