



Chipsmall Limited consists of a professional team with an average of over 10 year of expertise in the distribution of electronic components. Based in Hongkong, we have already established firm and mutual-benefit business relationships with customers from,Europe,America and south Asia,supplying obsolete and hard-to-find components to meet their specific needs.

With the principle of “Quality Parts,Customers Priority,Honest Operation,and Considerate Service”,our business mainly focus on the distribution of electronic components. Line cards we deal with include Microchip,ALPS,ROHM,Xilinx,Pulse,ON,Everlight and Freescale. Main products comprise IC,Modules,Potentiometer,IC Socket,Relay,Connector.Our parts cover such applications as commercial,industrial, and automotives areas.

We are looking forward to setting up business relationship with you and hope to provide you with the best service and solution. Let us make a better world for our industry!



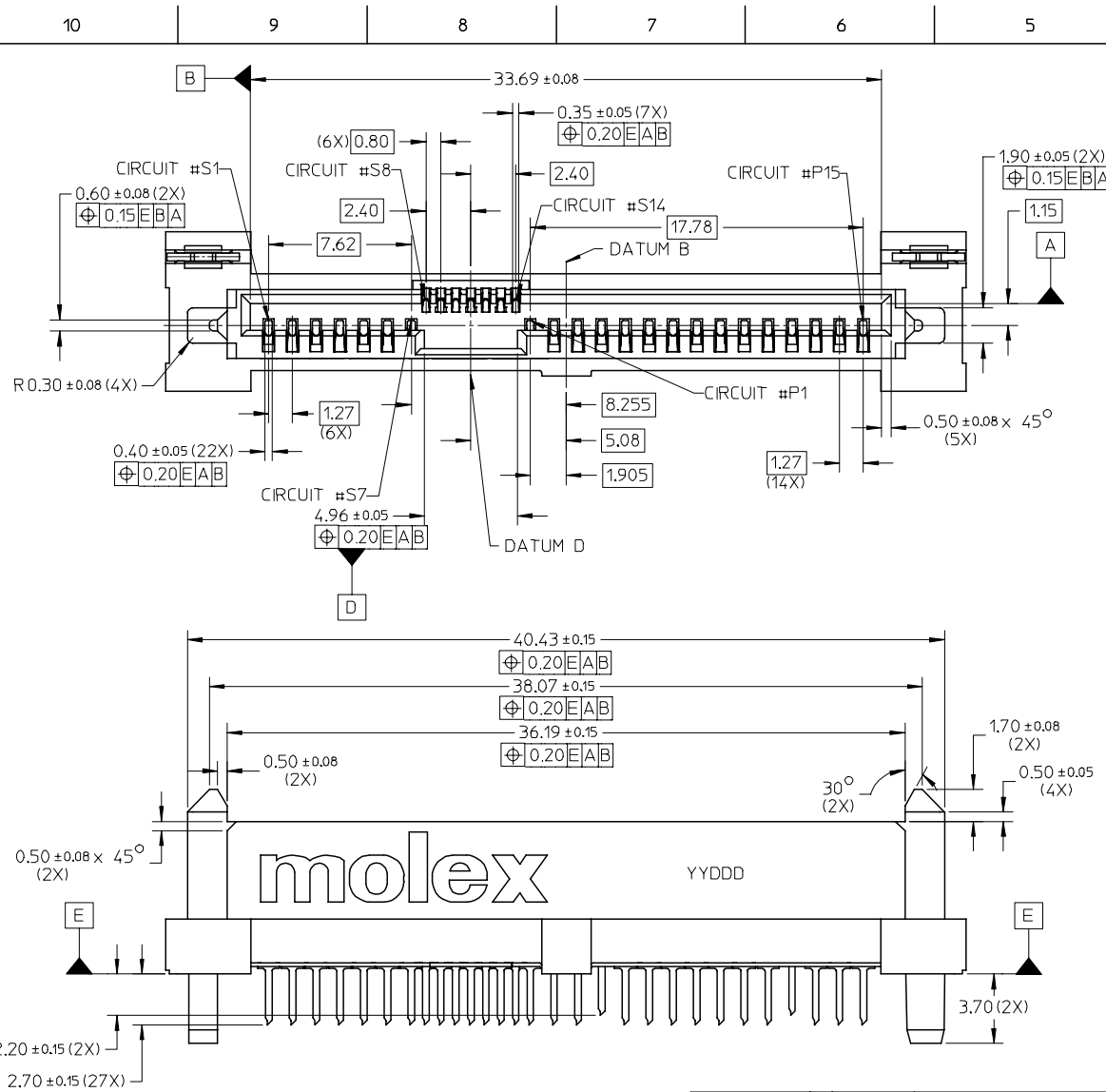
Contact us

Tel: +86-755-8981 8866 Fax: +86-755-8427 6832

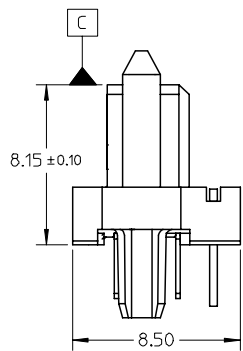
Email & Skype: info@chipsmall.com Web: www.chipsmall.com

Address: A1208, Overseas Decoration Building, #122 Zhenhua RD., Futian, Shenzhen, China





- NOTES:
- MATERIAL:
HOUSING: LIQUID CRYSTAL POLYMER, GLASS FILLED, UL 94V-0, COLOUR BLACK.
TERMINAL/BLADE: COPPER ALLOY.
 - PLATING:
TERMINAL CONTACTS: 0.76µm MIN. SELECTIVE GOLD
OVER 1.27m MIN. NICKEL UNDERPLATE.
TERMINAL SOLDER TAILS/BLADE: 2.54µm MIN. TIN
OVER 1.27m MIN. NICKEL UNDERPLATE.
 - MOLEX LOGO AND DATE CODE LOCATED APPROXIMATELY AS SHOWN.
 - PRODUCT CONFORMS TO SFF-8482 SPECIFICATION.
 - KEEP OUT ZONE ON BOTH SIDE OF THE PCB FOR CONNECTOR.
 - PACKAGING: TRAY.
 - PRODUCT SPECIFICATION PS-87970-003 APPLIES.
 - MATES WITH: SFF-8482 PLUG
SATA PLUG SERIES 87679, 87703 AND 87799
 - THIS PRODUCT IS COMPLIANT TO RoHS DIRECTIVE WITH THE FOLLOWING BANNED SUBSTANCES - LEAD, MERCURY, CADMIUM, HEXAVALENT CHROMIUM, POLYBROMINATED BIPHENYLS, POLYBROMINATED DIPHENYLS ETHERS.



THIS DESIGN IS BASED ON DESIGN OBJECTIVES AND IS STRICTLY TENTATIVE. IT MAY CHANGE BASED ON RESULTS OF ADDITIONAL DESIGN REVIEWS & VERIFICATIONS.

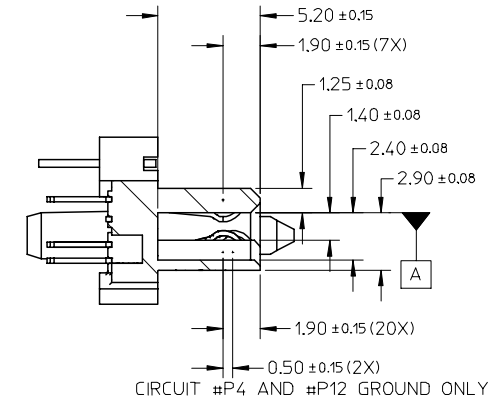
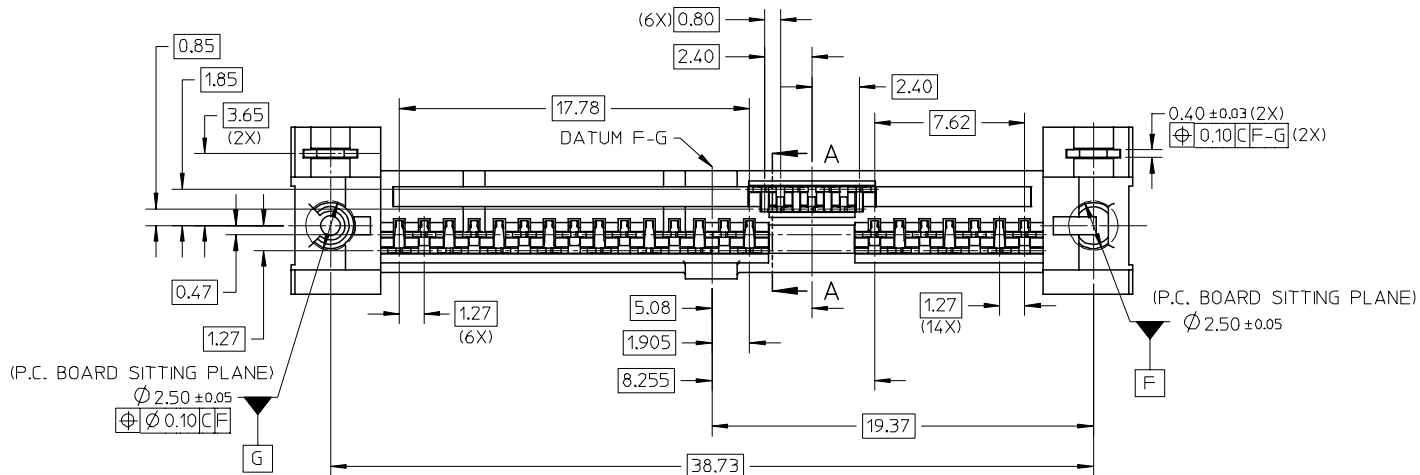
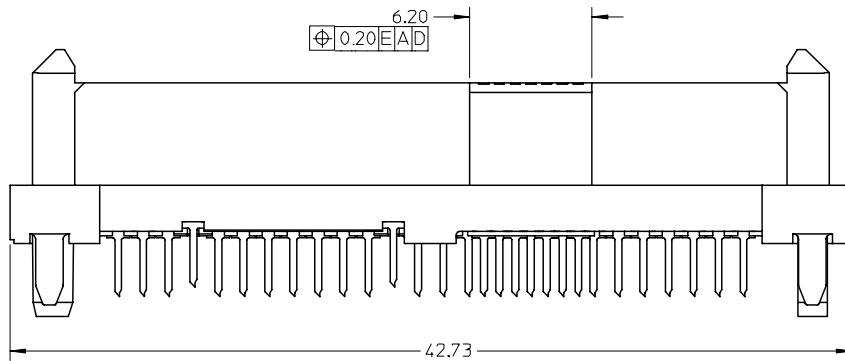
| | | |
|---------|-------------------|-------------|
| REVISED | EC NO: S2006-0480 | 2005/11/10 |
| | DRWN:YKOH | 2005/11/10 |
| | CHKD:SHONG | 2005/11/10 |
| | APPR:KCLING | 2005/11/11 |
| A1 | REV | DESCRIPTION |

| | |
|-----------------|-----|
| QUALITY SYMBOLS | ▽=0 |
| | ∇=0 |

| GENERAL TOLERANCES (UNLESS SPECIFIED) | |
|--|-------|
| mm | INCH |
| 4 PLACES ± --- | ± --- |
| 3 PLACES ± --- | ± --- |
| 2 PLACES ± 0.20 | ± --- |
| 1 PLACE ± --- | ± --- |
| ANGULAR ± 3° | |
| DRAFT WHERE APPLICABLE MUST REMAIN WITHIN DIMENSIONS | |

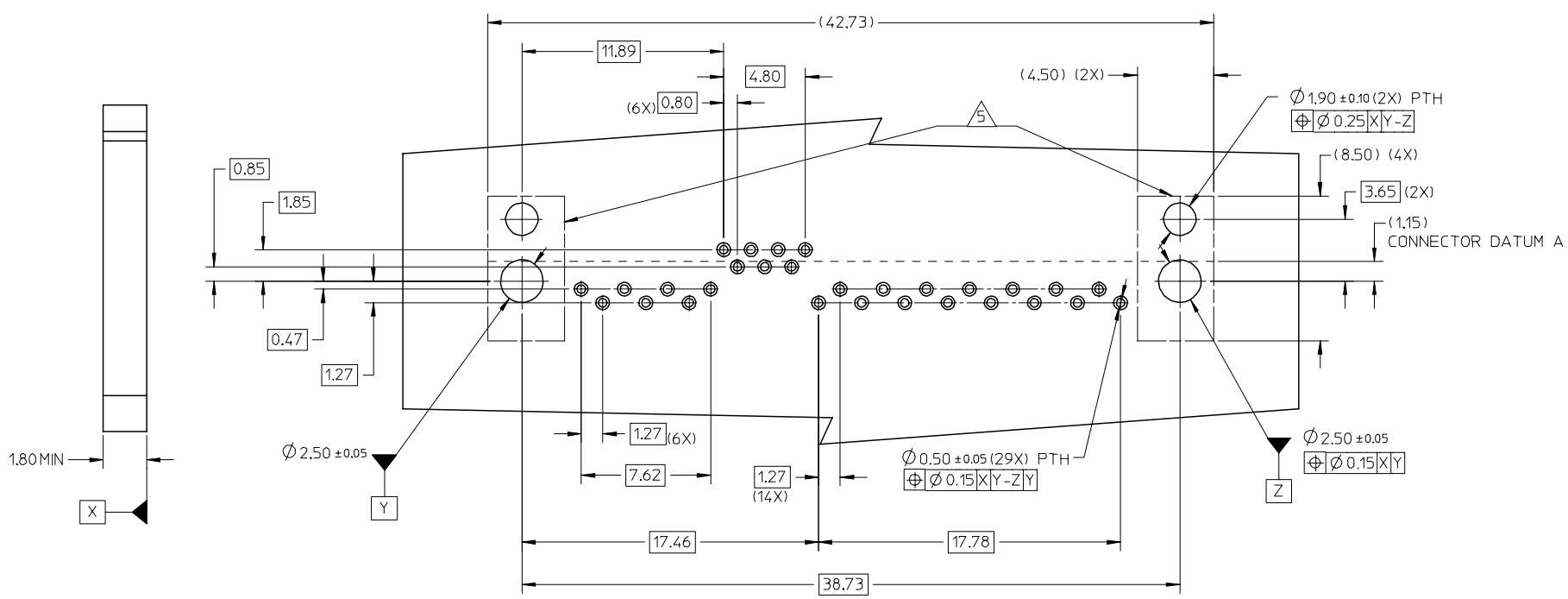
| DIMENSION STYLE | |
|-----------------|------------|
| MM ONLY | |
| DRAWN BY | DATE |
| DKOH | 2004/12/03 |
| CHECKED BY | DATE |
| KCLING | 2005/01/13 |
| APPROVED BY | DATE |
| SKTOH | 2005/01/14 |
| MATERIAL NO. | 87970-0001 |

| | | |
|---|--------------|------------------------|
| SCALE | DESIGN UNITS | THIRD ANGLE PROJECTION |
| NTS | METRIC | |
| SERIAL ATTACH SCSI VERT. STAGGERED T/H STANDARD HEIGHT | | |
| MOLEX INCORPORATED | | |
| DOCUMENT NO. | SHEET NO. | |
| SD-87970-001 | 1 OF 4 | |
| THIS DRAWING CONTAINS INFORMATION THAT IS PROPRIETARY TO MOLEX INCORPORATED AND SHOULD NOT BE USED WITHOUT WRITTEN PERMISSION | | |



SECTION A-A

| | | | | | | | | | | | | |
|--|--|-------------------------------|---------------------------------------|---|----------------------------|--------------------|--|------------------------|------------------------------|---------------------|--|--|
| SEE SHEET 1 EC NO: S2006-0480 DRWN:YKOH CHKD:SHONG APPR:KCLING | 2005/11/10 2005/11/10 2005/11/11 | QUALITY SYMBOLS ▽=0 ▽=0 | GENERAL TOLERANCES (UNLESS SPECIFIED) | | DIMENSION STYLE MM ONLY | | SCALE NTS | DESIGN UNITS METRIC | THIRD ANGLE PROJECTION | | | |
| | | | 4 PLACES ± --- | ± --- | DRAWN BY DKOH | DATE 2004/12/03 | SERIAL ATTACH SCSI VERT. STAGGERED T/H STANDARD HEIGHT | | | | | |
| | | | 3 PLACES ± --- | ± --- | CHECKED BY KCLING | DATE 2005/01/13 | | | | | | |
| | | | 2 PLACES ± 0.20 | ± --- | APPROVED BY SKTOH | DATE 2005/01/14 | MATERIAL NO. 87970-0001 | | DOCUMENT NO. SD-87970-001 | SHEET NO. 2 OF 4 | | |
| 1 PLACE ± --- | ± --- | ANGULAR ± 3 ° | | DRAFT WHERE APPLICABLE MUST REMAIN WITHIN DIMENSIONS | | MOLEX INCORPORATED | | | | | | |



RECOMMENDED PCB LAYOUT

| SEE SHEET 1 EC NO: S2006-0480 DRWN:YKOH CHKD:SHONG APPR:KCLING | 2005/11/10 2005/11/10 2005/11/11 | QUALITY SYMBOLS ▽=0 ▽=0 | GENERAL TOLERANCES (UNLESS SPECIFIED) <table border="1"> <thead> <tr> <th></th> <th>mm</th> <th>INCH</th> </tr> </thead> <tbody> <tr> <td>4 PLACES</td> <td>± ---</td> <td>± ---</td> </tr> <tr> <td>3 PLACES</td> <td>± ---</td> <td>± ---</td> </tr> <tr> <td>2 PLACES</td> <td>± 0.20</td> <td>± ---</td> </tr> <tr> <td>1 PLACE</td> <td>± ---</td> <td>± ---</td> </tr> </tbody> </table> | | mm | INCH | 4 PLACES | ± --- | ± --- | 3 PLACES | ± --- | ± --- | 2 PLACES | ± 0.20 | ± --- | 1 PLACE | ± --- | ± --- | DIMENSION STYLE MM ONLY | SCALE NTS | DESIGN UNITS METRIC | THIRD ANGLE PROJECTION |
|--|--|---|---|------------------------------|---|--------------------|---------------------|-------|-------|----------|-------|-------|----------|--------|-------|---------|-------|-------|----------------------------|--------------|------------------------|------------------------|
| | | mm | INCH | | | | | | | | | | | | | | | | | | | |
| | 4 PLACES | ± --- | ± --- | | | | | | | | | | | | | | | | | | | |
| | 3 PLACES | ± --- | ± --- | | | | | | | | | | | | | | | | | | | |
| | 2 PLACES | ± 0.20 | ± --- | | | | | | | | | | | | | | | | | | | |
| 1 PLACE | ± --- | ± --- | | | | | | | | | | | | | | | | | | | | |
| REV A1 | DESCRIPTION | DRAFT WHERE APPLICABLE MUST REMAIN WITHIN DIMENSIONS | DRAWN BY DKOH | DATE 2004/12/03 | TITLE SERIAL ATTACH SCSI VERT. STAGGERED T/H STANDARD HEIGHT | MOLEX INCORPORATED | SHEET NO. 3 OF 4 | | | | | | | | | | | | | | | |
| | | | CHECKED BY KCLING | DATE 2005/01/13 | | | | | | | | | | | | | | | | | | |
| | | | APPROVED BY SKTOH | DATE 2005/01/14 | | | | | | | | | | | | | | | | | | |
| | | | MATERIAL NO. 87970-0001 | DOCUMENT NO. SD-87970-001 | | | | | | | | | | | | | | | | | | |

10 9 8 7 6 5 4 3 2 1

F

F

E

E

D

D

C

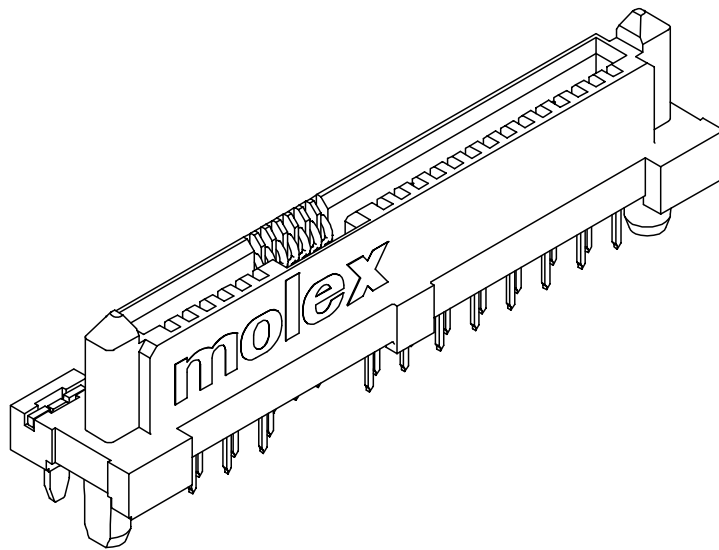
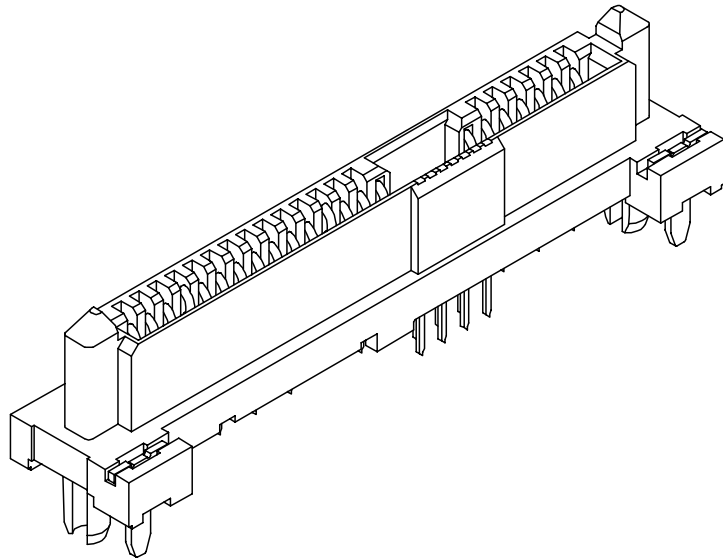
C

B

B

A

A



| | | | | | | | | | | | | |
|--|--|---|--|---------------------------------------|--------------------------------------|----------------------------|--------------------------------------|--------------|--|------------------------|--|--|
| SEE SHEET 1 EC NO: S2006-0480 DRWN:YKOH CHKD:SHONG APPR:KCLING | 2005/11/10 2005/11/10 2005/11/11 | DESCRIPTION REV | QUALITY SYMBOLS ▽=0 ◻=0 | GENERAL TOLERANCES (UNLESS SPECIFIED) | | DIMENSION STYLE MM ONLY | | SCALE NTS | DESIGN UNITS METRIC | THIRD ANGLE PROJECTION | | |
| | | | 4 PLACES ± --- ± --- 3 PLACES ± --- ± --- 2 PLACES ± 0.20 ± --- 1 PLACE ± --- ± --- | | DRAWN BY DATE DKOH 2004/12/03 | | CHECKED BY DATE KCLING 2005/01/13 | | SERIAL ATTACH SCSI VERT. STAGGERED T/H STANDARD HEIGHT | | | |
| | | | ANGULAR ± 3 ° | | APPROVED BY DATE SKTOH 2005/01/14 | | MOLEX INCORPORATED | | | | | |
| | DRAFT WHERE APPLICABLE MUST REMAIN WITHIN DIMENSIONS | | | | MATERIAL NO. 87970-0001 | | DOCUMENT NO. SD-87970-001 | | SHEET NO. 4 OF 4 | | | |
| SIZE A3 | | THIS DRAWING CONTAINS INFORMATION THAT IS PROPRIETARY TO MOLEX INCORPORATED AND SHOULD NOT BE USED WITHOUT WRITTEN PERMISSION | | | | | | | | | | |

9 8 7 6 5 4 3 2 1