



Chipsmall Limited consists of a professional team with an average of over 10 year of expertise in the distribution of electronic components. Based in Hongkong, we have already established firm and mutual-benefit business relationships with customers from,Europe,America and south Asia,supplying obsolete and hard-to-find components to meet their specific needs.

With the principle of “Quality Parts,Customers Priority,Honest Operation,and Considerate Service”,our business mainly focus on the distribution of electronic components. Line cards we deal with include Microchip,ALPS,ROHM,Xilinx,Pulse,ON,Everlight and Freescale. Main products comprise IC,Modules,Potentiometer,IC Socket,Relay,Connector.Our parts cover such applications as commercial,industrial, and automotives areas.

We are looking forward to setting up business relationship with you and hope to provide you with the best service and solution. Let us make a better world for our industry!



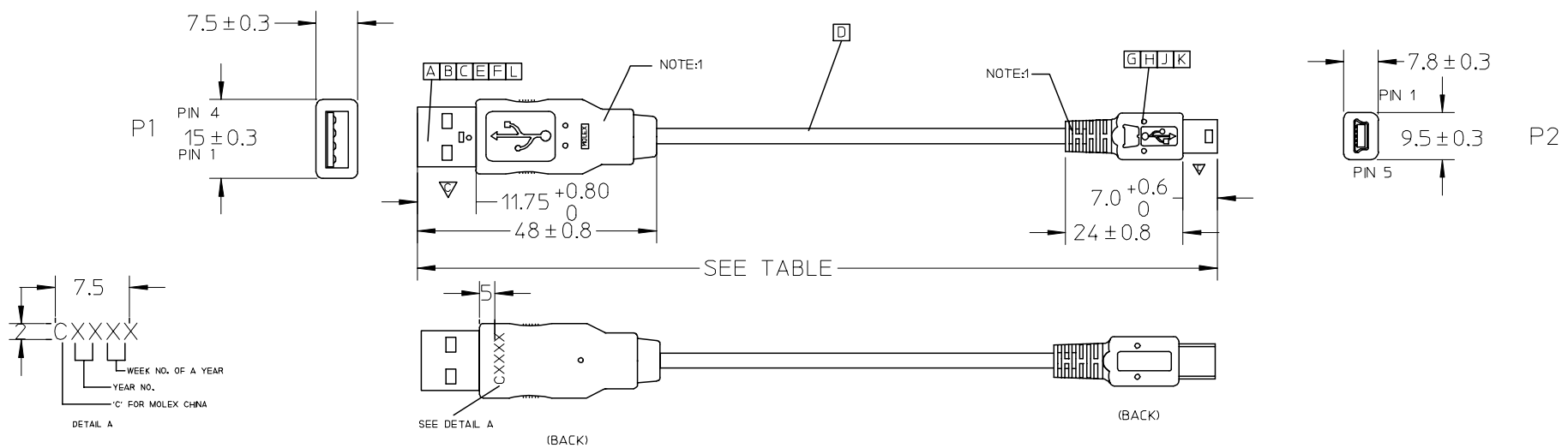
Contact us

Tel: +86-755-8981 8866 Fax: +86-755-8427 6832

Email & Skype: info@chipsmall.com Web: www.chipsmall.com

Address: A1208, Overseas Decoration Building, #122 Zhenhua RD., Futian, Shenzhen, China





SHELL	SHELL	SHIELDING	BRAID WIRE
4	5	GROUND	BLACK
3	3	+DATA	GREEN
2	2	-DATA	WHITE
1	1	VCC	RED
P 1	P 2	SIGNAL NAME	WIRE COLOR

L	COPPER FOIL 887801083		1
K	COPPER FOIL 887801114		1
J	USB SERIES MINI-B PLG COVER SHIELD 675460000		1
H	USB SERIES MINI-B PLG SHIELD CASE 675450000		1
G	MINI-B PLG HSG&TERMINAL SUB-ASS'Y 675420008		1
F	TERMINAL (AWG24) (SEE TABLE)		2
E	TERMINAL (AWG28) (SEE TABLE)		2
D	USB2.0 #28/#24 ; CABLE(SEE TABLE)		
C	REAR SHELL 887809084		1
B	FRONT SHELL 887809083		1
A	CRMP HOUSING 887809086		1
ITEM	DESCRIPTION	L	QTY.

ENTER DESCRIPTION EC NO: DG2006-0150 DRWN: JFZHENG CHKD: APPR: DQLUO	QUALITY SYMBOLS ▽=0 ▽=2	GENERAL TOLERANCES (UNLESS SPECIFIED)		DIMENSION STYLE MM ONLY		SCALE ---	DESIGN UNITS METRIC	THIRD ANGLE PROJECTION	
			mm	INCH	DRAWN BY JFZHENG	DATE 2006/01/07	TITLE USB2.0, A TO MINIB CABLE ASS'Y		
		4 PLACES	±---	±---	CHECKED BY JFZHENG	DATE 2006/01/07	MATERIAL NO. 887-328x-0x		
		3 PLACES	±---	±---	APPROVED BY DQLUO	DATE 2006/01/07	DOCUMENT NO. SD-887328500	SHEET NO. 1 OF 2	
2 PLACES	±---	±---	ANGULAR ±1/2°		MATERIAL NO. 887-328x-0x				
1 PLACE	±---	±---	DRAFT WHERE APPLICABLE MUST REMAIN WITHIN DIMENSIONS		THIS DRAWING CONTAINS INFORMATION THAT IS PROPRIETARY TO MOLEX INCORPORATED AND SHOULD NOT BE USED WITHOUT WRITTEN PERMISSION				

NOTE:

1. MOLDED PVC RESIN.CABLE.P/N & COLOR AS TABLE

WHITE	887800043	887808233	WHITE
BEIGE	887800059	887808244	BEIGE
BLACK	887800019	887808563	BLACK
BLACK	887800019	887808236	BLACK
BLACK	887800019	887808248	BLACK
FROST WITHE	887800043	887808243	FROST WITHE
RESIN COLOR	RESIN P/N	CABLE P/N	CABLE COLOR

2. STICK UL LABEL ON EACH CARTON.

▽ELECTRICAL PERFORMANCE:

ALL TEST DUABILITY:0.01 SEC.

1. DIELECTRONIC STRENGTH:500V DC

2. INSULATION RESISTANCE:100M OHMS MIN.

3. CONDUCTIVE RESISTANCE: 3 OHMS MAX.

3. PUT COC AND INSPECTION REPORT IN EVERY CARTON (ONLY APPLY FOR 887328705)

4.ALL COMPONENTS MUST MEET RoHS COMPLIANCE

TABLE

88732-8902	2000±30	USB_A TO MINI_B 2.0 VER	88780-8248	88780-9091	88780-9090
88732-8802	1800±30	USB_A TO MINI_B 2.0 VER	88780-8248	88780-9091	88780-9090
88732-8702	1500±30	USB_A TO MINI_B 2.0 VER	88780-8248	88780-9091	88780-9090
88732-8602	1000±30	USB_A TO MINI_B 2.0 VER	88780-8248	88794-1218	88794-1217
88732-8502	800±30	USB_A TO MINI_B 2.0 VER	88780-8235	88794-1218	88794-1217
88732-8900	2000±30	USB_A TO MINI_B 2.0 VER	88780-8243	88780-9091	88780-9090
88732-8800	1800±30	USB_A TO MINI_B 2.0 VER	88780-8243	88780-9091	88780-9090
88732-8700	1500±30	USB_A TO MINI_B 2.0 VER	88780-8243	88780-9091	88780-9090
88732-8600	1000±30	USB_A TO MINI_B 2.0 VER	88780-8243	88794-1218	88794-1217
88732-8500	800±30	USB_A TO MINI_B 2.0 VER	88780-8233	88794-1218	88794-1217
88732-8401	1200±30	USB_A TO MINI_B 2.0 VER	88780-8244	88780-9091	88780-9090
MX P/N	CABLE LENGTH	DESCRIPTION	CABLE P/N	TERM. E P/N	TERM. F P/N

ENTER DESCRIPTION EC NO: DG2006-0150 DRWN: JFZHENG CHKD: APPR: DQLUO	2006/01/09 2006/01/09 2006/01/16	DESCRIPTION REV	QUALITY SYMBOLS ▽=0 ▽=2	GENERAL TOLERANCES (UNLESS SPECIFIED)		DIMENSION STYLE MM ONLY		SCALE ---	DESIGN UNITS METRIC	THIRD ANGLE PROJECTION		
					mm	INCH	DRAWN BY JFZHENG	DATE 2006/01/07	TITLE USB2.0, A TO MINIB CABLE ASS'Y			
				4 PLACES	± ---	± ---	CHECKED BY JFZHENG	DATE 2006/01/07				
				3 PLACES	± ---	± ---	APPROVED BY DQLUO	DATE 2006/01/07	MOLEX INCORPORATED		MATERIAL NO. 887-328x-0x	DOCUMENT NO. SD-887328500

DRAFT WHERE APPLICABLE MUST REMAIN WITHIN DIMENSIONS

THIS DRAWING CONTAINS INFORMATION THAT IS PROPRIETARY TO MOLEX INCORPORATED AND SHOULD NOT BE USED WITHOUT WRITTEN PERMISSION