



Chipsmall Limited consists of a professional team with an average of over 10 year of expertise in the distribution of electronic components. Based in Hongkong, we have already established firm and mutual-benefit business relationships with customers from,Europe,America and south Asia,supplying obsolete and hard-to-find components to meet their specific needs.

With the principle of “Quality Parts,Customers Priority,Honest Operation,and Considerate Service”,our business mainly focus on the distribution of electronic components. Line cards we deal with include Microchip,ALPS,ROHM,Xilinx,Pulse,ON,Everlight and Freescale. Main products comprise IC,Modules,Potentiometer,IC Socket,Relay,Connector.Our parts cover such applications as commercial,industrial, and automotives areas.

We are looking forward to setting up business relationship with you and hope to provide you with the best service and solution. Let us make a better world for our industry!



Contact us

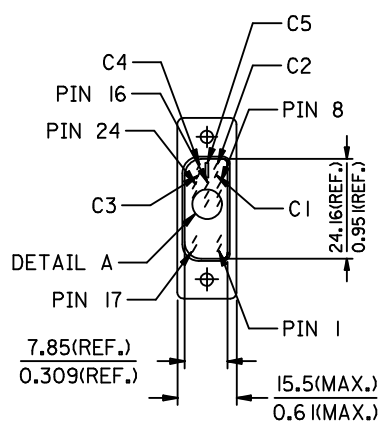
Tel: +86-755-8981 8866 Fax: +86-755-8427 6832

Email & Skype: info@chipsmall.com Web: www.chipsmall.com

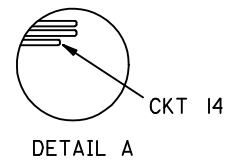
Address: A1208, Overseas Decoration Building, #122 Zhenhua RD., Futian, Shenzhen, China



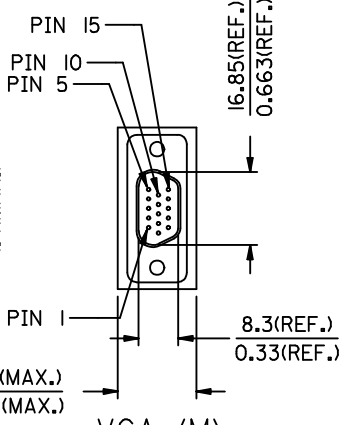
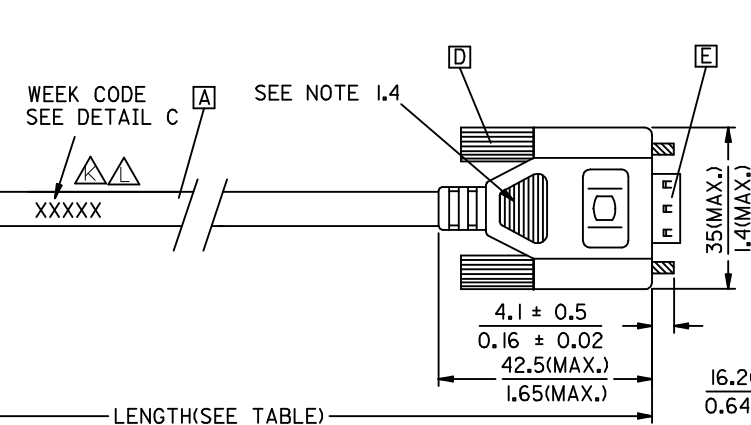
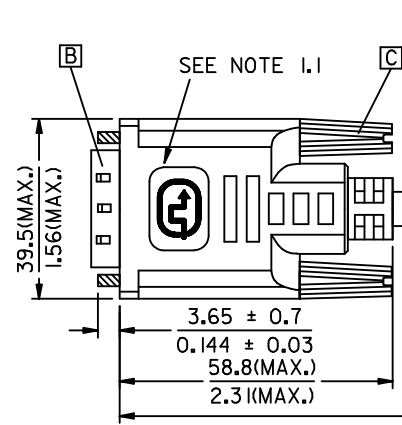
REVISIONS				
EC NO	DATE	REV	DESCRIPTION	CHANGER
CY14-5154	2013/08/30	K	CHANGE THE LABELING CONTENT FOR PRODUCTS TRANSFER TO PHILIPPINES	AHOU
CY14-5301	2013/09/12	L	CHANGE THE LABELING CONTENT FOR PRODUCTS TRANSFER TO PHILIPPINES	AHOU



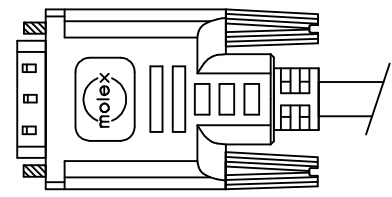
DVI_A(M)



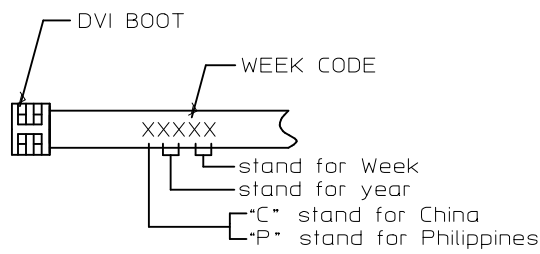
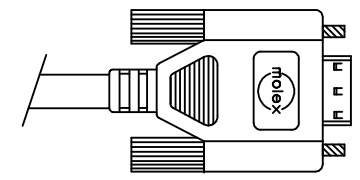
DETAIL A



VGA (M)



BACK SIDE



△	88741-8321	DVI_A-VGA CABLE ASS'Y 5M PARCHMENT WHT	5000 ± 150 196.9 ± 5.9	PARCHMENT WHITE	887808286
△	88741-8311	DVI_A-VGA CABLE ASS'Y 3M PARCHMENT WHT	3000 ± 80 118.1 ± 3.1	PARCHMENT WHITE	887808286
△	88741-8301	DVI_A-VGA CABLE ASS'Y 2M PARCHMENT WHT	2000 ± 60 78.7 ± 2.4	PARCHMENT WHITE	887808286
△	88741-8320	DVI_A-VGA CABLE ASS'Y 5M BLK	5000 ± 150 196.9 ± 5.9	BLACK	887808277
△	88741-8310	DVI_A-VGA CABLE ASS'Y 3M BLK	3000 ± 80 118.1 ± 3.1	BLACK	887808277
△	88741-8300	DVI_A-VGA CABLE ASS'Y 2M BLK	2000 ± 60 78.7 ± 2.4	BLACK	887808277
	MX P/N	DESCRIPTION	LENGTH	CABLE COLOR	CABLE P/N

DETAIL C

ENTER DESCRIPTION EC NO: CPG2014-0798 DRWN: XJGU001 CHKD: AHOU APPR: XAWANG	QUALITY SYMBOLS F _A =0 F _C =0 F _P =0	GENERAL TOLERANCES (UNLESS SPECIFIED)		DIMENSION STYLE MM/IN		SCALE — —	DESIGN UNITS METRIC	THIRD ANGLE PROJECTION	
		mm	INCH	DRAWN BY XJGU001	DATE 2013/09/06	TITLE DVI_A-VGA CABLE			
		DRAFT WHERE APPLICABLE MUST REMAIN WITHIN DIMENSIONS		CHECKED BY ZXDENG	DATE 2013/09/06	MATERIAL NO. SEE TABLE		DOCUMENT NO. SD-88741-004	
REV			SIZE A 4			THIS DRAWING CONTAINS INFORMATION THAT IS PROPRIETARY TO MOLEX INCORPORATED AND SHOULD NOT BE USED WITHOUT WRITTEN PERMISSION			

7

6

5

4

3

2

1

NOTE: 1. OVERMOLD SPECIFICATION

FOR DVI

1.1 DVI BOOT MOLDED WITH SNOW WHITE PVC RESIN P/N IS 887800076.

1.2 UL94V-0, COLOR: MAD432

1.3 HARDNESS (DUROMETER): SHORE A 90-95
FOR VGA

1.4 VGA MOLDED WITH PVC BLUE RESIN 887800145.

1.4.1 UL94V-0, COLOR: PANTUNE 66IC

2. MECHANICAL SPECIFICATION

2.1 CABLE SHOULD STAND THE PULL FORCE 89-111N FOR 30 SECONDS
WITH NO VISIBLE TERMINATION DAMAGE.2.2 CABLE SHOULD PASS THE FLEX TEST IN 100 CYCLES AT EACH
OF PLANES, PER EIA 364-41, CONDITION 1.

3. CABLE ELECTRICAL SPECIFICATION

3.1 DIELECTRIC STRENGTH: 300VDC FOR 10mS

3.2 SIGNAL LINE INSULATION RESISTANCE: 20 MEGA Ohms

3.3 COAXIAL LINES CHARACTERISTIC IMPEDANCE: 75±7.5 Ohms @TDR.

4. DVI CONNECTOR SPECIFICATION

4.1 REFER TO PRODUCT SPEC. PS74320-0001.

4.2 CONTACT PLATING: AU FLASH.

5. THIS PRODUCT MUST MEET MX RoHS COMPLIANCE.

6. CONNECTION DIAGRAM

SHIELD	SHIELD	GROUND
C 5	PIN R6,G7,B8	ANLOG GROUND
C 4	PIN 13	HORIZONTAL SYNC
C 3	PIN 3	ANLOG
C 2	PIN 2	ANLOG
C 1	PIN 1	ANLOG
PIN 15	PIN 5,10	GROUND(+5V & HV SYNC)
PIN 14,16	PIN 9	POWER +5V/HOT PLUG DETECT
PIN 8	PIN 14	VERTICAL SYNC
PIN 7	PIN 12	DDC DATA
PIN 6	PIN 15	DDC CLOCK
DVI_A	VGA	CABLE FUNCTION

7. MATERIAL LIST

E	VGA D-SUB CONNECTOR	887899320
D	VGA D-SUB THUMBSCREW	887806026
C	DVI THUMB SCREW	887806005
B	DVI_A G/F CONNECTOR	743230011
A	DVI ANALOG CABLE(SEE TABLE)	
ITEM	DESCRIPTION	

ENTER DESCRIPTION EC NO: CPG2014-0798 DRW: XJGU001 CHKD: AHO APPR: XAWANG	DESCRIPTION REV	QUALITY SYMBOLS F=0 F=0 F=0	GENERAL TOLERANCES (UNLESS SPECIFIED)		DIMENSION STYLE MM/IN		SCALE	DESIGN UNITS METRIC	THIRD ANGLE PROJECTION
			mm	INCH	DRAWN BY XJGU001	DATE 2013/09/06	TITLE DVI_A-VGA CABLE		
L	REV	F=0	4 PLACES	± ---	± ---	CHECKED BY ZXDENG	DATE 2013/09/06	molex	SD-88741-004
			3 PLACES	± ---	± ---	APPROVED BY XAWANG	DATE 2013/09/12		
			2 PLACES	± ---	± ---	MATERIAL NO. SEE TABLE	DOCUMENT NO. SD-88741-004		
			1 PLACE	± ---	± ---	SIZE A 4	THIS DRAWING CONTAINS INFORMATION THAT IS PROPRIETARY TO MOLEX INCORPORATED AND SHOULD NOT BE USED WITHOUT WRITTEN PERMISSION		
			0 PLACE	± ---	± ---				
			ANGULAR ± --- °						SHEET NO. 2 OF 2
			DRAFT WHERE APPLICABLE MUST REMAIN WITHIN DIMENSIONS						

6

5

4

3

2

1

NOTE:1. OVERMOLD SPECIFICATION

FOR DVI

1.1 DVI BOOT MOLDED WITH SNOW WHITE PVC RESIN P/N IS 887800076.

1.2 UL94V-0, COLOR: MAD432

1.3 HARDNESS (DUROMETER): SHORE A 90-95

FOR VGA

1.4 VGA MOLDED WITH PVC BLUE RESIN 887800145.

1.4.1 UL94V-0, COLOR: PANTUNE 661C

2. MECHANICAL SPECIFICATION

2.1 CABLE SHOULD STAND THE PULL FORCE 89-111N FOR 30 SECONDS WITH NO VISIBLE TERMINATION DAMAGE.

2.2 CABLE SHOULD PASS THE FLEX TEST IN 100 CYCLES AT EACH OF PLANES, PER EIA 364-41, CONDITION 1.

3. CABLE ELECTRICAL SPECIFICATION

3.1 DIELECTRIC STRENGTH: 300VDC FOR 10ms

3.2 SIGNAL LINE INSULATION RESISTANCE: 20 MEGA Ohms

3.3 COAXIAL LINES CHARACTERISTIC IMPEDANCE: 75±7.5 Ohms @TDR.

4. DVI CONNECTOR SPECIFICATION

4.1 REFER TO PRODUCT SPEC. PS74320-0001.

4.2 CONTACT PLATING: AU FLASH.


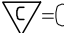

5. THIS PRODUCT MUST MEET MX RoHS COMPLIANCE.

6. CONNECTION DIAGRAM

SHIELD	SHIEDL	GROUND
C 5	PIN R6,G7,B8	ANLOG GROUND
C 4	PIN 13	HORIZONTAL SYNC
C 3	PIN 3	ANLOG
C 2	PIN 2	ANLOG
C 1	PIN 1	ANLOG
PIN 15	PIN 5,10	GROUND(+5V & HV SYNC)
PIN 14,16	PIN 9	POWER +5V/HOT PLUG DETECT
PIN 8	PIN 14	VERTICAL SYNC
PIN 7	PIN 12	DDC DATA
PIN 6	PIN 15	DDC CLOCK
DVI_A	VGA	CABLE FUNCTION

7. MATERIAL LIST

ITEM	DESCRIPTION
E	VGA D-SUB CONNECTOR 887899320
D	VGA D-SUB THUMBSCREW 887806026
C	DVI THUMB SCREW 887806005
B	DVI_A G/F CONNECTOR 743230011
A	DVI ANALOG CABLE(SEE TABLE)

ENTER DESCRIPTION EC NO: DG2006-0186 DRWN:PDAI 2006/03/09 CHKD: 2006/03/09 APPR:TKAN 2006/03/10	DESCRIPTION J	QUALITY SYMBOLS	GENERAL TOLERANCES (UNLESS SPECIFIED)	DIMENSION STYLE	SCALE	DESIGN UNITS	THIRD ANGLE PROJECTION
		 =0  =0.05	mm INCH 4 PLACES ±--- ±--- 3 PLACES ±--- ±--- 2 PLACES ±--- ±--- 1 PLACE ±--- ±--- ANGULAR ±---°	MM/IN	---	METRIC	
		DRAWN BY: PDAI CHECKED BY: ZXDENG APPROVED BY: BORON	DATE: 2006/03/07 DATE: 2006/03/07 DATE: 2006/03/07	TITLE: DVI_A-VGA CABLE			
		DRAFT WHERE APPLICABLE MUST REMAIN WITHIN DIMENSIONS		MATERIAL NO. SEE TABLE SIZE: A 4	DOCUMENT NO. SD-88741-004 SHEET NO. 2 OF 2		