



Chipsmall Limited consists of a professional team with an average of over 10 year of expertise in the distribution of electronic components. Based in Hongkong, we have already established firm and mutual-benefit business relationships with customers from,Europe,America and south Asia,supplying obsolete and hard-to-find components to meet their specific needs.

With the principle of “Quality Parts,Customers Priority,Honest Operation,and Considerate Service”,our business mainly focus on the distribution of electronic components. Line cards we deal with include Microchip,ALPS,ROHM,Xilinx,Pulse,ON,Everlight and Freescale. Main products comprise IC,Modules,Potentiometer,IC Socket,Relay,Connector.Our parts cover such applications as commercial,industrial, and automotives areas.

We are looking forward to setting up business relationship with you and hope to provide you with the best service and solution. Let us make a better world for our industry!



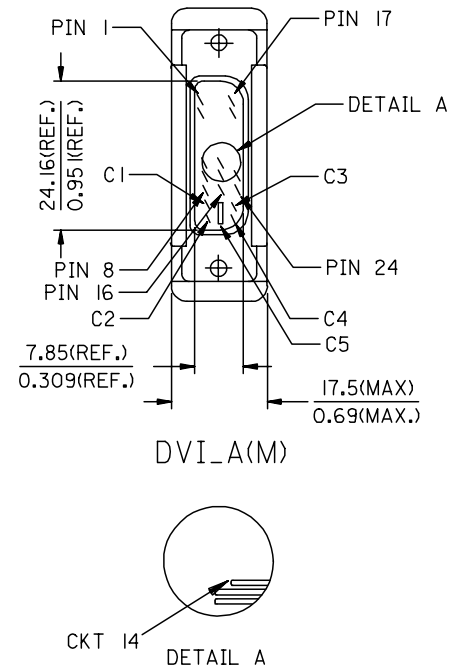
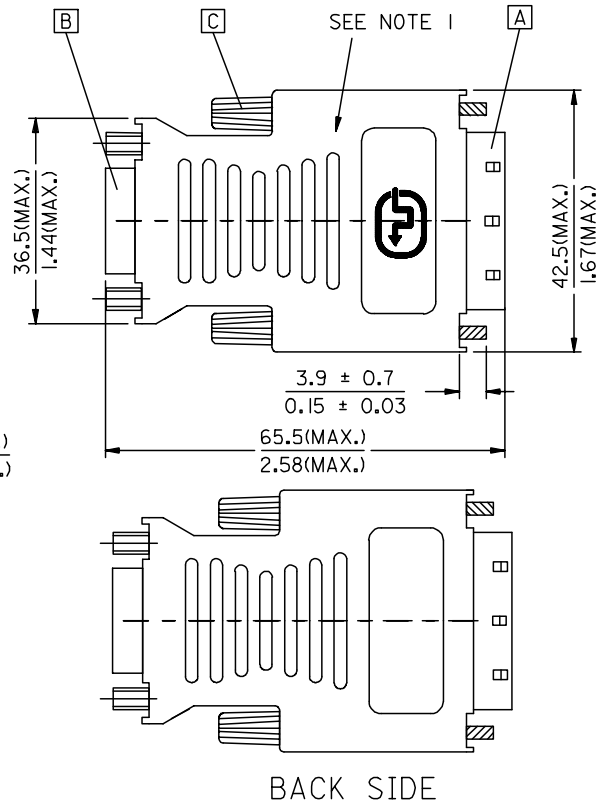
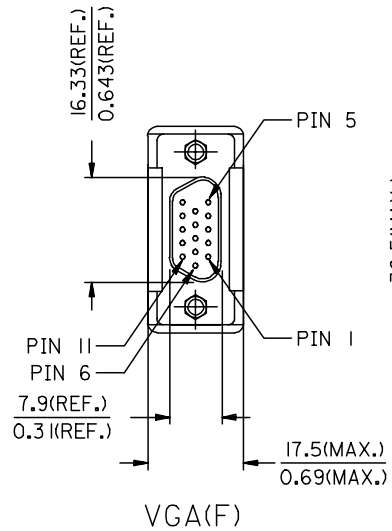
## Contact us

Tel: +86-755-8981 8866 Fax: +86-755-8427 6832

Email & Skype: info@chipsmall.com Web: www.chipsmall.com

Address: A1208, Overseas Decoration Building, #122 Zhenhua RD., Futian, Shenzhen, China





ENTER DESCRIPTION	2006/03/09
EC NO: DG2006-0186	2006/03/09
DRWN:PDAI	2006/03/10
CHKD:	
APPR:TKAN	
DESCRIPTION	
REV	

QUALITY SYMBOLS	
▽=0	
∇=0	

GENERAL TOLERANCES (UNLESS SPECIFIED)	
	mm
4 PLACES	± ---
3 PLACES	± ---
2 PLACES	± ---
1 PLACE	± ---
ANGULAR ± ---°	
DRAFT WHERE APPLICABLE MUST REMAIN WITHIN DIMENSIONS	

DIMENSION STYLE	
MM/IN	
DRAWN BY	DATE
PDAI	2006/03/07
CHECKED BY	DATE
ZXDENG	2006/03/07
APPROVED BY	DATE
BORON	2006/03/07
MATERIAL NO.	
88741-8700	
SIZE	
A/4	

SCALE	DESIGN UNITS	THIRD ANGLE PROJECTION
---	METRIC	
TITLE		
DVI_A(M)-VGA(F) ADAPTER		
MOLEX INCORPORATED		
MATERIAL NO.	DOCUMENT NO.	SHEET NO.
88741-8700	SD-88741-008	1 OF 2
THIS DRAWING CONTAINS INFORMATION THAT IS PROPRIETARY TO MOLEX INCORPORATED AND SHOULD NOT BE USED WITHOUT WRITTEN PERMISSION		

NOTE:1. MOLD WITH SNOW WHITE PVC RESIN 887800077 FOR ADAPTOR COVER.

2. DVI CONNCETOR SPECIFICATION

2.1 REFER TO PRODUCT SPEC. PS74320-0001.

2.2 CONTACT PLATING: AU FLASH.

3. ELECTRICAL PERFORMANCE

3.1 INSULATION RESISANCE: 20 M Ohms Min

3.2 DIELECTRIC STRENGTH: 300V DC FOR 10 MILLISECONDS.

3.3 IMPEDANCE: 75 ± 10%Ohms ON THE CO-AXIAL WIRES.

4. ADAPTOR SPECIFICATION

4.1 REFER TO PRODUCT SPEC. PS88741-8700.

5. THIS PRODUCT MUST MEET MX RoHS COMPLIANCE.

6. CONNECTION DIAGRAM

SHIELD	SHIELD	GROUND
PIN R6,G7,B8	C 5	ANLOG GROUND
PIN 13	C 4	HORIZONTAL SYNC
PIN 3	C 3	ANLOG
PIN 2	C 2	ANLOG
PIN 1	C 1	ANLOG
PIN 5,10	PIN 15	GROUND(+5V & HV SYNC)
PIN 9	PIN 14,16	POWER +5V/HOT PLUG DETECT
PIN 14	PIN 8	VERTICAL SYNC
PIN 12	PIN 7	DDC DATA
PIN 15	PIN 6	DDC CLOCK
VGA	DVI_A	CABLE FUNCTION

7. MATERIAL LIST

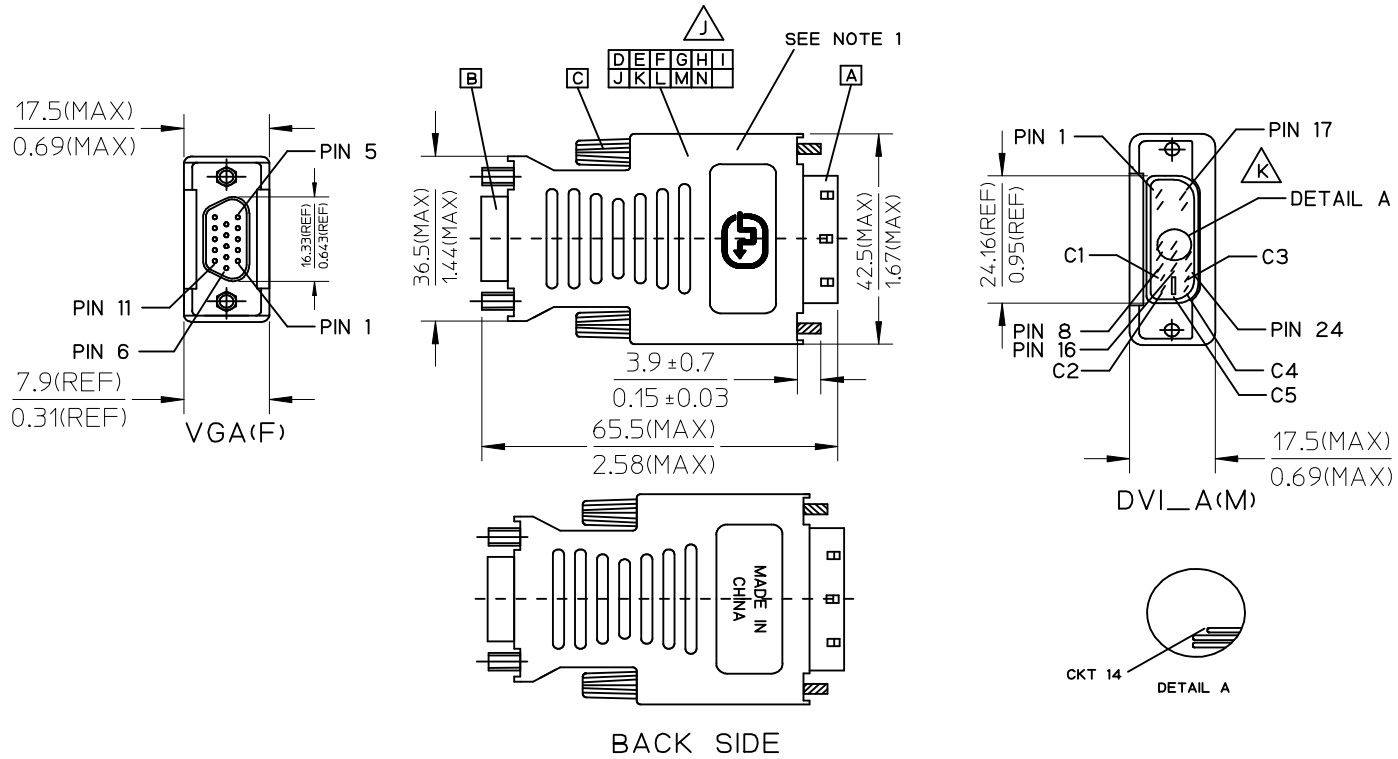
C	SCREW (WHITE) 887806002
B	FEMALE 15C D-SUB CONNECTOR 887899318
A	DVI_A G/F CONNECTOR 743230011
ITEM	DESCRIPTION

ENTER DESCRIPTION EC NO: DG2006-0186 DRWN:PDAI CHKD: APPR:TKAN	2006/03/09 2006/03/09 2006/03/10	QUALITY SYMBOLS 	GENERAL TOLERANCES (UNLESS SPECIFIED)		DIMENSION STYLE MM/IN		SCALE ---	DESIGN UNITS METRIC	THIRD ANGLE PROJECTION	
				4 PLACES ± --- mm ± --- INCH	DRAWN BY PDAI	DATE 2006/03/07	TITLE DVI_A(M)-VGA(F) ADAPTER			
				3 PLACES ± --- mm ± --- INCH	CHECKED BY ZXDENG	DATE 2006/03/07	MOLEX INCORPORATED			
				2 PLACES ± --- mm ± --- INCH	APPROVED BY BORON	DATE 2006/03/07	MATERIAL NO. 88741-8700	DOCUMENT NO. SD-88741-008	SHEET NO. 2 OF 2	

DRAFT WHERE APPLICABLE  
MUST REMAIN  
WITHIN DIMENSIONS

THIS DRAWING CONTAINS INFORMATION THAT IS PROPRIETARY TO MOLEX INCORPORATED AND SHOULD NOT BE USED WITHOUT WRITTEN PERMISSION

REVISIONS				
ECN NO	REVISION	DATE	DESCRIPTION	CHANGER
CY12-8394	J	FEB.08.12	THE CUSTOMER REQUIRE ADD HST TO THE RGB WIRE	TLIN
CY13-6281	K	MAR.20.13	ADD ERROR-PROOF STRUCTURE IN THE OUTER COVER	TLIN



<b>ENTER DESCRIPTION</b> EC NO: CPG2013-3091 DRWN: XJGU001 CHKD: TLIN APPR: XAWANG	2013/04/10 2013/04/10 2013/04/12	QUALITY SYMBOLS ▽=0 ▽=0 ▽=0	GENERAL TOLERANCES (UNLESS SPECIFIED)			DIMENSION STYLE MM/IN		SCALE	DESIGN UNITS METRIC	THIRD ANGLE PROJECTION			
						mm	INCH	DRAWN BY	DATE	TITLE			
						4 PLACES	± ---	± ---	XJGU001	2013/04/10	DVI_A(M)-VGA(F) ADAPTOR		
						3 PLACES	± ---	± ---	CHECKED BY	DATE			
			2 PLACES	± 0.25	± ---	HW. GAO	2013/04/10						
			1 PLACE	± 0.5	± ---	APPROVED BY	DATE						
			0 PLACE	± ---	± ---	XAWANG	2013/04/12						
			ANGULAR ± 3 °			MATERIAL NO.		DOCUMENT NO.		SHEET NO.			
DRAFT WHERE APPLICABLE MUST REMAIN WITHIN DIMENSIONS						887418700		SD-88741-8700		1 OF 2			
						SIZE A 4		THIS DRAWING CONTAINS INFORMATION THAT IS PROPRIETARY TO MOLEX INCORPORATED AND SHOULD NOT BE USED WITHOUT WRITTEN PERMISSION					

7

6

5

4

3

2

1

## NOTES:

## 1. MATERIAL:

1.1 MOLD WITH SNOW WHITE PVC RESIN FOR ADAPTOR COVER.

## 2. DVI CONNECTOR SPECIFICATION:

2.1 REFER TO PRODUCT SPEC. PS74320-0001.

2.2 CONTACT PLATING: GOLD FLASH.

## 3.ELECTRICAL PERFORMANCE:

3.1 INSULATOR RESISTANCE: 20M OHMS MIN.

3.2 DIELECTRONIC STRENGTH: 300V DC FOR 10 MILLISECONDS.


3.3 IMPEDANCE: 75±10% OHMS ON THE CO-AXIAL WIRES.

## 4.THIS PRODUCT MUST MEET THE EU RoHS CHEMICAL

SUBSTANCES SPECIFICATION FOR PRODUCT(EU 2002/95/EC)

SHIELD	SHIELD	GROUND
PIN R6.G7.B8	C 5	ANLOG GROUND
PIN 13	C 4	HORIZONTAL SYNC
PIN 3	C 3	ANLOG
PIN 2	C 2	ANLOG
PIN 1	C 1	ANLOG
PIN 5,10	PIN 15	GROUND(+5V & HV SYNC)
PIN 9	PIN 14,16	POWER +5V/HOT PLUG DETECT
PIN 14	PIN 8	VERTICAL SYNC
PIN 12	PIN 7	DDC DATA
PIN 15	PIN 6	DDC CLOCK
VGA	DVI_A	CABLE FUNCTION

ITEM	DESCRIPTION	L	QTY.
N	HOT SHRINK TUBE	A/R	3
M	UL1061 AWG28 BROWN	A/R	1
L	UL1061 AWG28 GREEN	A/R	1
K	UL1061 AWG28 YELLOW	A/R	1
J	UL1061 AWG28 ORANGE	A/R	1
I	UL1061 AWG28 RED	A/R	1
H	UL1061 AWG28 BLACK	A/R	1
G	COAXIAL #30 RED	A/R	1
F	COAXIAL #30 GREEN	A/R	1
E	COAXIAL #30 BLUE	A/R	1
D	COPPER FOIL		1
C	SCREW (WHITE)		2
B	FEMALE 15C D-SUB CONNECTOR		1
A	DVI_A G/F CONNECTOR		1

ENTER DESCRIPTION EC NO: CPG2013-3091 DRW: XJGU001 CHKD: TLIN APPR: XAWANG	DESCRIPTION REV	QUALITY SYMBOLS	GENERAL TOLERANCES (UNLESS SPECIFIED)		DIMENSION STYLE MM/IN		SCALE 1:1	DESIGN UNITS METRIC	THIRD ANGLE PROJECTION			
		F=0 F=0 F=0	4 PLACES	± ---	± ---	DRAWN BY XJGU001	DATE 2013/04/10	TITLE DVI_A(M)-VGA(F) ADAPTOR				
			3 PLACES	± ---	± ---	CHECKED BY HW.GAO	DATE 2013/04/10					
			2 PLACES	± 0.25	± ---	APPROVED BY XAWANG	DATE 2013/04/12					
			1 PLACE	± 0.5	± ---	MATERIAL NO. 887418700						
K	REV	ANGULAR ± 3 °		DRAFT WHERE APPLICABLE MUST REMAIN WITHIN DIMENSIONS		THIS DRAWING CONTAINS INFORMATION THAT IS PROPRIETARY TO MOLEX INCORPORATED AND SHOULD NOT BE USED WITHOUT WRITTEN PERMISSION						

6

5

4

3

2

1