



Chipsmall Limited consists of a professional team with an average of over 10 year of expertise in the distribution of electronic components. Based in Hongkong, we have already established firm and mutual-benefit business relationships with customers from,Europe,America and south Asia,supplying obsolete and hard-to-find components to meet their specific needs.

With the principle of “Quality Parts,Customers Priority,Honest Operation,and Considerate Service”,our business mainly focus on the distribution of electronic components. Line cards we deal with include Microchip,ALPS,ROHM,Xilinx,Pulse,ON,Everlight and Freescale. Main products comprise IC,Modules,Potentiometer,IC Socket,Relay,Connector.Our parts cover such applications as commercial,industrial, and automotives areas.

We are looking forward to setting up business relationship with you and hope to provide you with the best service and solution. Let us make a better world for our industry!



Contact us

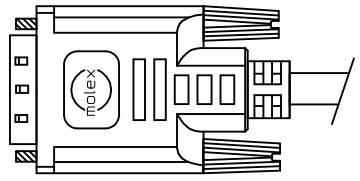
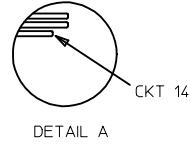
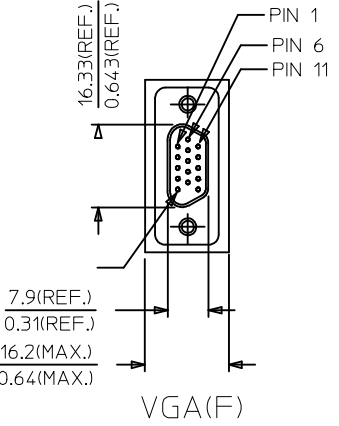
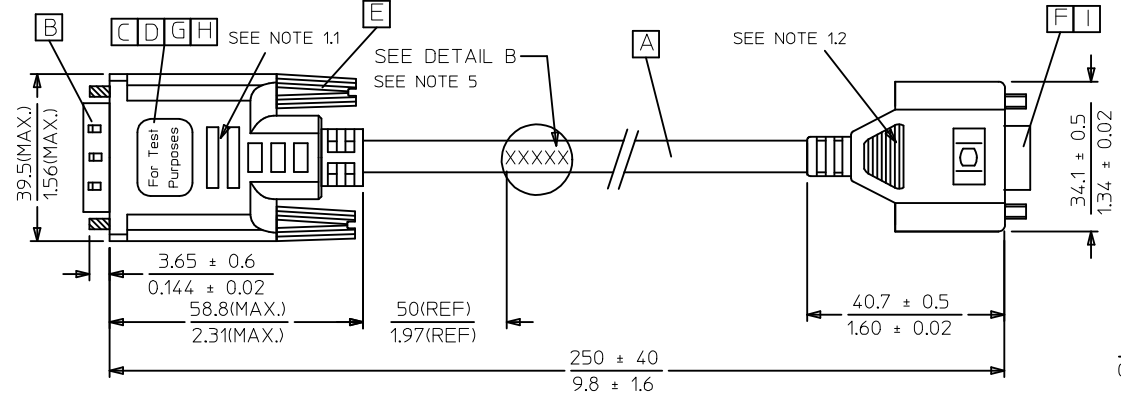
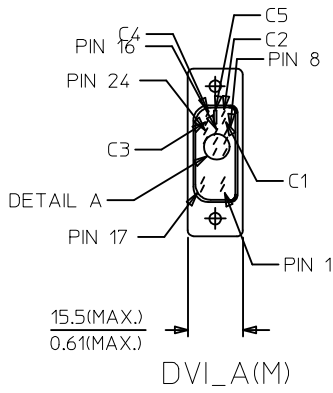
Tel: +86-755-8981 8866 Fax: +86-755-8427 6832

Email & Skype: info@chipsmall.com Web: www.chipsmall.com

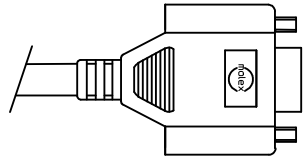
Address: A1208, Overseas Decoration Building, #122 Zhenhua RD., Futian, Shenzhen, China



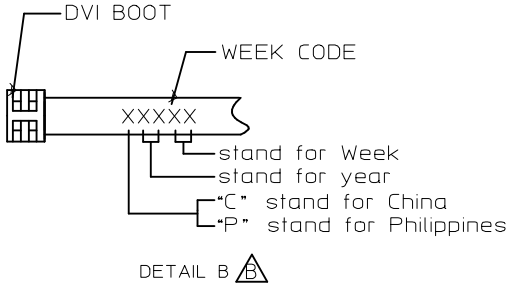
REVISIONS				
EC NO	DATE	REV	DESCRIPTION	CHANGER
CY14-5154	2013/08/30	B	CHANGE THE LABELING CONTENT FOR PRODUCTS TRANSFER TO PHILIPPINES	AHOU



BACK SIDE



BACK SIDE



DETAIL B

ENTER DESCRIPTION EC NO: CPG2014-0687 DRWN: XJGU001 CHKD: AHOU APPR: XAWANG	2013/09/06 2013/09/06 2013/09/12	QUALITY SYMBOLS $F_{\Delta} = 0$ $F_{\square} = 0$ $F_{\nabla} = 0$	GENERAL TOLERANCES (UNLESS SPECIFIED)		DIMENSION STYLE MM/IN		SCALE	DESIGN UNITS METRIC	THIRD ANGLE PROJECTION	
				mm	INCH	DRAWN BY XJGU001	DATE 2013/09/06	TITLE DVI_A(M) TO VGA(F) DONGLE CABLE ASS'Y 0.25M		SHEET NO. 1 OF 2
			4 PLACES	± ---	± ---	CHECKED BY PDAI	DATE 2013/09/06			
			3 PLACES	± ---	± ---	APPROVED BY XAWANG	DATE 2013/09/12	MATERIAL NO. 887419700	DOCUMENT NO. SD-88741-097	
			2 PLACES	± ---	± ---	DRAFT WHERE APPLICABLE MUST REMAIN WITHIN DIMENSIONS				
1 PLACE	± ---	± ---	SIZE A 4		THIS DRAWING CONTAINS INFORMATION THAT IS PROPRIETARY TO MOLEX INCORPORATED AND SHOULD NOT BE USED WITHOUT WRITTEN PERMISSION					
0 PLACE	± ---	± ---	ANGULAR ± ---°							

7

6

5

4

3

2

1

NOTE: 1. OVERMOLD SPECIFICATION:

1.1 DVI BOOT MOLDED SNOW WHITE PVC RESIN 887800076. UL94V-0.

1.2 VGA OVERMOLDED WITH PVC BLUE RESIN 887800145.

2. MECHANICAL SPECIFICATION:

 2.1 CABLE SHOULD STAND THE PULL FORCE 89-111N FOR 30 SECONDS WITH NO VISIBLE TERMINATION DAMAGE.

3. PRODUCT ELECTRICAL SPECIFICATION REFER TO ES-001.

4. DVI CONNECTOR SPECIFICATION:

4.1 REFER TO PRODUCT SPEC. PS-74320-001

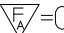
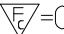
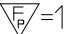
4.2 CONTACT PLATING: AU FLASH.

5. THE CODE PLEASE BE PRINTED ON THE SPACE.

6. THIS PRODUCT MUST MEET MX RoHS COMPLIANCE.

SHIELD	SHIELD	SHIELD	GROUND
C 5	PIN R6,G7,B8	RED,GRN,BLU	ANLOG GROUND
C 4	PIN 13	WHITE	HORIZONTAL SYNC
C 3	PIN 3	BLUE	ANLOG
C 2	PIN 2	GREEN	ANLOG
C 1	PIN 1	RED	ANLOG
PIN 15	PIN 5,10	ORANGE	GROUND(+5V & HV SYNC)
PIN 14,16	PIN 9	YEL/BRN	POWER +5V/HOT PLUG DETECT
PIN 8	PIN 14	RED	VERTICAL SYNC
PIN 7	PIN 12	GREEN	DDC DATA
PIN 6	PIN 15	BLACK	DDC CLOCK
DVI_A	VGA	COLOR	CABLE FUNCTION

ITEM	DESCRIPTION	L	QTY.
I	VGA METAL CAN 887809056		1
H	DVI-I INNER EMI CAN 743260012		2
G	COPPER FOIL 887801082		1
F	VGA D-SUB CONNECTOR 887899274		1
E	DVI THUMB SCREW 887806005		2
D	EVC CRIMP FERRULE 737720001		1
C	DVI-I OUTER EMI CAN 743260011		1
B	DVI_A G/F CONNECTOR 743230011		1
A	DVI ANALOG CABLE IVORY 887808032	225(Ref.)	1

ENTER DESCRIPTION EC NO: CPG2014-0687 DRW:NXJGU001 2013/09/06 CHKD:AHOU 2013/09/06 APPR:XAWANG 2013/09/12	DESCRIPTION REV	QUALITY SYMBOLS	GENERAL TOLERANCES (UNLESS SPECIFIED)		DIMENSION STYLE MM/IN		SCALE 1:1	DESIGN UNITS METRIC	THIRD ANGLE PROJECTION		
		 =0	4 PLACES	±----	±----	DRAWN BY	DATE	TITLE DVI_A(M) TO VGA(F) DONGLE CABLE ASS'Y 0.25M			
		 =0	3 PLACES	±----	±----	CHECKED BY	DATE				
		 =1	2 PLACES	±----	±----	PDAI	2013/09/06	APPROVED BY		DATE	DOCUMENT NO. SD-88741-097
	1 PLACE	±----	±----	XAWANG	2013/09/12	MATERIAL NO. 887419700					
	0 PLACE	±----	±----	ANGULAR ±----°		SIZE A 4		THIS DRAWING CONTAINS INFORMATION THAT IS PROPRIETARY TO MOLEX INCORPORATED AND SHOULD NOT BE USED WITHOUT WRITTEN PERMISSION			
DRAFT WHERE APPLICABLE MUST REMAIN WITHIN DIMENSIONS											

6

5

4

3

2

1

NOTE: 1. OVERMOLD SPECIFICATION:

- 1.1 DVI BOOT MOLDED SNOW WHITE PVC RESIN 887800076E~UL94V-0.
- 1.2 VGA OVERMOLDED WITH PVC BLUE RESIN 887800145.

2. MECHANICAL SPECIFICATION:

- ▽ 2.1 CABLE SHOULD STAND THE PULL FORCE 89-111N FOR 30 SECONDS WITH NO VISIBLE TERMINATION DAMAGE.

3. PRODUCT ELECTRICAL SPECIFICATION REFER TO ES-001.

4. DVI CONNECTOR SPECIFICATION:

- 4.1 REFER TO PRODUCT SPEC. PS-74320-001
- 4.2 CONTACT PLATING: AU FLASH.
- 5. THE CODE PLEASE BE PRINTED ON THE SPACE.
- 6. THIS PRODUCT MUST MEET MX RoHS COMPLIANCE.

SHIELD	SHIELD	SHIELD	GROUND
C 5	PIN R6,G7,B8	RED,GRN,BLU	ANLOG GROUND
C 4	PIN 13	WHITE	HORIZONTAL SYNC
C 3	PIN 3	BLUE	ANLOG
C 2	PIN 2	GREEN	ANLOG
C 1	PIN 1	RED	ANLOG
PIN 15	PIN 5,10	ORANGE	GROUND(+5V & HV SYNC)
PIN 14,16	PIN 9	YEL/BRN	POWER +5V/HOT PLUG DETECT
PIN 8	PIN 14	RED	VERTICAL SYNC
PIN 7	PIN 12	GREEN	DDC DATA
PIN 6	PIN 15	BLACK	DDC CLOCK
DVI_A	VGA	COLOR	CABLE FUNCTION

ITEM	DESCRIPTION	L	QTY.
I	VGA METAL CAN 887809056		1
H	DVI-I INNER EMI CAN 743260012		2
G	COPPER FOIL 887801082		1
F	VGA D-SUB CONNECTOR 887899274		1
E	DVI THUMB SCREW 887806005		2
D	EVC CRIMP FERRULE 737720001		1
C	DVI-I OUTER EMI CAN 743260011		1
B	DVI_A G/F CONNECTOR 743230011		1
A	DVI ANALOG CABLE IVORY 887808032	225(Ref.)	1

E

E

D

D

C

C

B

B

A

A

NEW RELEASE EC NO: DG2006-0183 DRWN:PDAI 2006/03/03 CHKD: 2006/03/03 APPR:TKAN 2006/03/03	DESCRIPTION REV	QUALITY SYMBOLS	GENERAL TOLERANCES (UNLESS SPECIFIED)	DIMENSION STYLE	SCALE	DESIGN UNITS	THIRD ANGLE PROJECTION	
		▽=0 ◻=0	mm INCH	MM/IN	---	METRIC		
			4 PLACES ± --- ± --- 3 PLACES ± --- ± --- 2 PLACES ± --- ± --- 1 PLACE ± --- ± --- ANGULAR ± ---°	DRAWN BY DATE PDAI 2006/02/28	CHECKED BY DATE PDAI 2006/02/28	TITLE DVI-(M) TO VGA(F) DONGLE CABLE ASS'Y 0.25M		
			DRAFT WHERE APPLICABLE MUST REMAIN WITHIN DIMENSIONS	APPROVED BY DATE ZXDENG 2006/02/28	MATERIAL NO. 88741-9700	DOCUMENT NO. SD-88741-097	SHEET NO. 2 OF 2	