



Chipsmall Limited consists of a professional team with an average of over 10 year of expertise in the distribution of electronic components. Based in Hongkong, we have already established firm and mutual-benefit business relationships with customers from,Europe,America and south Asia,supplying obsolete and hard-to-find components to meet their specific needs.

With the principle of “Quality Parts,Customers Priority,Honest Operation,and Considerate Service”,our business mainly focus on the distribution of electronic components. Line cards we deal with include Microchip,ALPS,ROHM,Xilinx,Pulse,ON,Everlight and Freescale. Main products comprise IC,Modules,Potentiometer,IC Socket,Relay,Connector.Our parts cover such applications as commercial,industrial, and automotives areas.

We are looking forward to setting up business relationship with you and hope to provide you with the best service and solution. Let us make a better world for our industry!



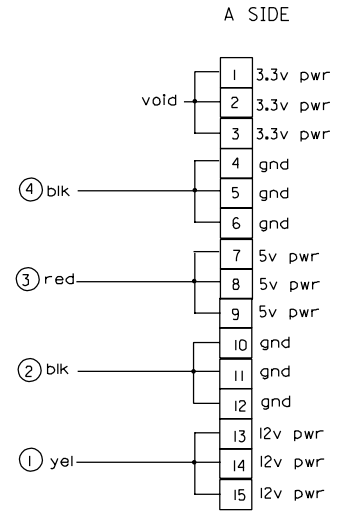
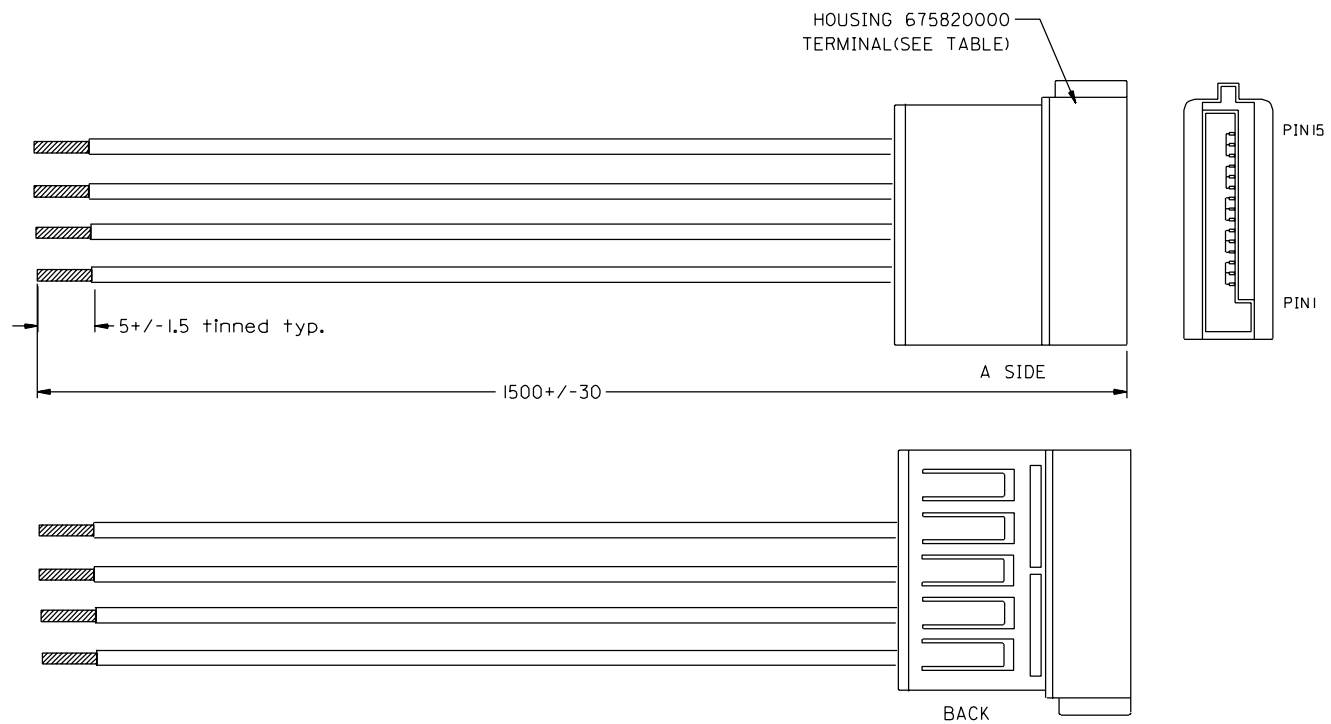
## Contact us

Tel: +86-755-8981 8866 Fax: +86-755-8427 6832

Email & Skype: info@chipsmall.com Web: www.chipsmall.com

Address: A1208, Overseas Decoration Building, #122 Zhenhua RD., Futian, Shenzhen, China





NOTE: 1. ELECTRIC PERFORMANCE:  
 ▽ DIELECTRONIC STRENGTH: 500 V DC/0.01Sec.  
 INSULATION RESISTANCE: 100M OHMS Min.  
 CONDUCTIVE RESISTANCE: 2 OHMS Max.

2. HOUSING 675820000:  
 POLYESTER(PBT), UL94V-0(BLACK)

887511411	675810001 30u'
887511410	675810000 GOLD FLASH
MATERIAL NO.	TERMINAL

4	UL1007 #18 BLK 887711300
3	UL1007 #18 RED 887711301
2	UL1007 #18 BLK 887711300
1	UL1007 #18 YEL 887711303
Item	WIRE TYPE

TABLE

DIMENSIONS:		SHT	REV
<input type="checkbox"/> mm	<input type="checkbox"/> INCH	<input type="checkbox"/> mm	<input type="checkbox"/> ONLY
<input type="checkbox"/> INCH	<input type="checkbox"/> mm	REVISE ON CAD ONLY	

EC NO. DG2003-0009 DRWN: BENTZ 03/04/07 CHK: BENTZ 03/04/07 APPR: BOCHEN 03/04/07 B	EC NO. DG2003-0005 DRWN: BENTZ 02/08/08 CHK: BENTZ 02/08/08 APPR: TONY WONG 02/08/08 A	DESCRIPTION REV	QUALITY SYMBOLS MAJOR ▽ = CRITICAL ▽ = I	GENERAL TOLERANCES: (UNLESS SPECIFIED)		SCALE DESIGN UNITS <input type="checkbox"/> mm <input type="checkbox"/> INCH	THIRD ANGLE PROJECTION <input checked="" type="checkbox"/> THIRD ANGLE	TITLE: S-ATA POWER CABLE ASSEMBLY	MOLEX INCORPORATED	MATERIAL NO. SEE TABLE	DRAWING NO. SD-88755-002	SHEET NO. 1 OF 1
				4 PLACES ±0.    ±.	3 PLACES ±0.    ±.							
THIS DRAWING CONTAINS INFORMATION THAT IS PROPRIETARY TO MOLEX INCORPORATED AND SHOULD NOT BE USED WITHOUT WRITTEN PERMISSION.												

6

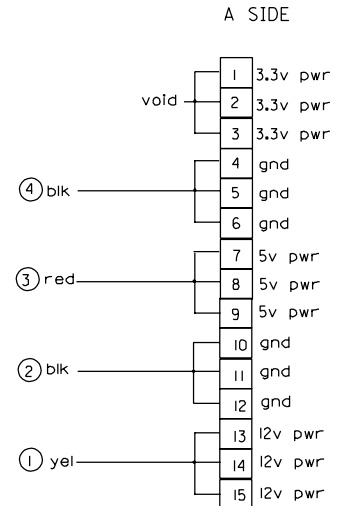
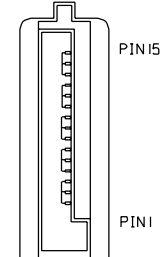
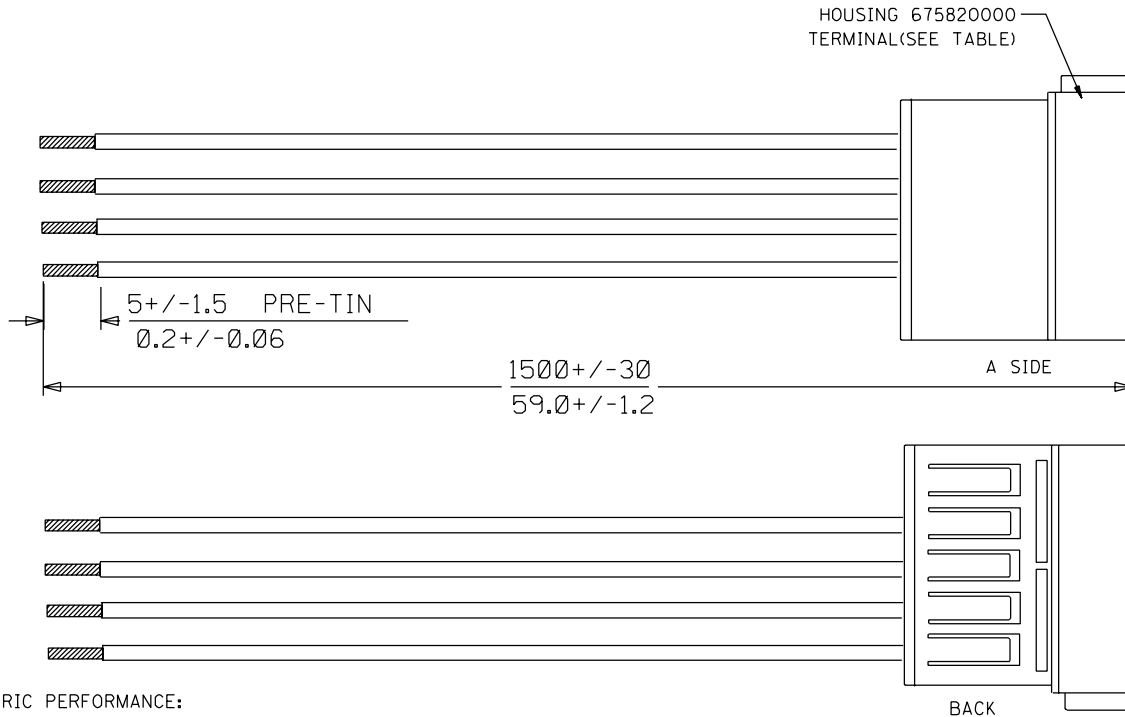
5

4

3

2

1



NOTE: 1. ELECTRIC PERFORMANCE:  
 DIELECTRIC STRENGTH: 500 V DC/0.01Sec.  
 INSULATION RESISTANCE: 100M OHMS Min.  
 CONDUCTIVE RESISTANCE: 2 OHMS Max.  
 2. HOUSING 675820000:  
 POLYESTER(PBT), UL94V-0(BLACK)

887511411	675810001 30u" Gold-plated
887511410	675810000 GOLD FLASH
MATERIAL NO.	TERMINAL

TABLE

4	UL1007 #18 BLK 887711300
3	UL1007 #18 RED 887711301
2	UL1007 #18 BLK 887711300
1	UL1007 #18 YEL 887711303
Item	WIRE TYPE

CONNECTION DIAGRAM			
DIMENSIONS:		SHT	REV
<input checked="" type="checkbox"/> mm	<input type="checkbox"/> INCH		REVISE ON CAD ONLY
<input type="checkbox"/> mm	<input type="checkbox"/> INCH		

EC NO. DRWN: Louis 04/03/23 CHK: APPR:	EC NO. DG2003-0009 DRWN: BENTZ 03/04/07 CHK: BENTZ 03/04/07 APPR: BOCHEN 03/04/07	EC NO. DG2003-0005 DRWN: BENTZ 02/08/08 CHK: BENTZ 02/08/08 APPR: TONY 02/08/08	DESCRIPTION REV	QUALITY SYMBOLS	GENERAL TOLERANCES: (UNLESS SPECIFIED)		SCALE	DESIGN UNITS	THIRD ANGLE PROJECTION	DIMENSIONS:			SHT	REV
				MAJOR ▼ = 0 CRITICAL ▽ = 0	mm	INCH	<input checked="" type="checkbox"/> mm <input type="checkbox"/> INCH	<input checked="" type="checkbox"/> mm <input type="checkbox"/> INCH		<input type="checkbox"/> mm <input type="checkbox"/> ONLY				
C	B	A			4 PLACES ±0.	±.	DRAWN BY & DATE BENTZ 02/08/08		TITLE: S-ATA POWER to PIGTAIL CABLE ASSEMBLY 1.5M (5V+12V)	MATERIAL NO. SEE TABLE		DRAWING NO. SD-88755-002	SHEET NO. 1 OF 1	SIZE A4
					3 PLACES ±0.	±.	CHECKED BY & DATE Tony Wong 02/08/08		MOLEX INCORPORATED	MATERIAL NO. SEE TABLE		DRAWING NO. SD-88755-002	SHEET NO. 1 OF 1	SIZE A4
					2 PLACES ±0.	±.	APPROVED BY & DATE Tony Wong 02/08/08			THIS DRAWING CONTAINS INFORMATION THAT IS PROPRIETARY TO MOLEX INCORPORATED AND SHOULD NOT BE USED WITHOUT WRITTEN PERMISSION.				
					1 PLACE ±0.	±.	CAD FILENAME S88755AB.S01							