



Chipsmall Limited consists of a professional team with an average of over 10 year of expertise in the distribution of electronic components. Based in Hongkong, we have already established firm and mutual-benefit business relationships with customers from,Europe,America and south Asia,supplying obsolete and hard-to-find components to meet their specific needs.

With the principle of “Quality Parts,Customers Priority,Honest Operation,and Considerate Service”,our business mainly focus on the distribution of electronic components. Line cards we deal with include Microchip,ALPS,ROHM,Xilinx,Pulse,ON,Everlight and Freescale. Main products comprise IC,Modules,Potentiometer,IC Socket,Relay,Connector.Our parts cover such applications as commercial,industrial, and automotives areas.

We are looking forward to setting up business relationship with you and hope to provide you with the best service and solution. Let us make a better world for our industry!



Contact us

Tel: +86-755-8981 8866 Fax: +86-755-8427 6832

Email & Skype: info@chipsmall.com Web: www.chipsmall.com

Address: A1208, Overseas Decoration Building, #122 Zhenhua RD., Futian, Shenzhen, China



6

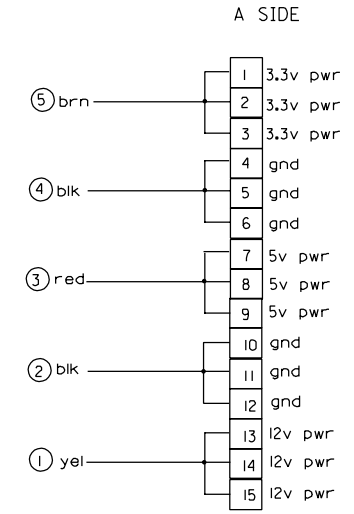
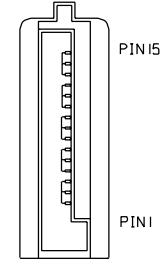
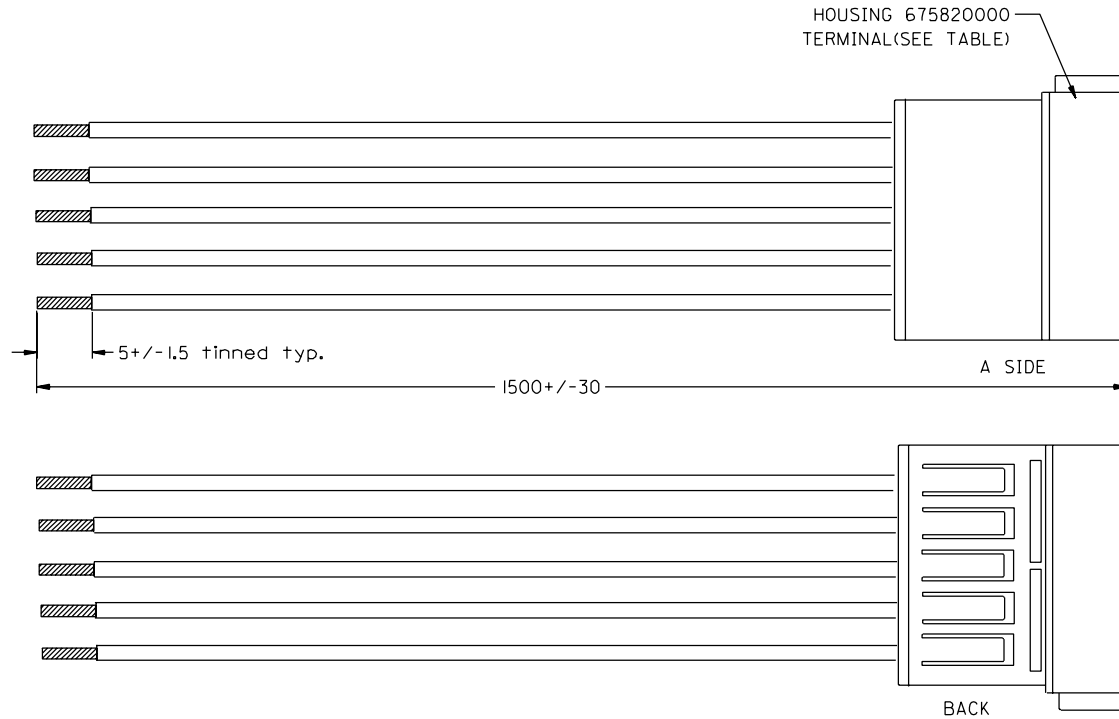
5

4

3

2

1



8875778 II	6758 10001 30u'
8875778 IO	6758 10000 GOLD FLASH
MATERIAL NO.	TERMINAL

5	UL 1007 #18 BRN 887711305
4	UL 1007 #18 BLK 887711300
3	UL 1007 #18 RED 887711301
2	UL 1007 #18 BLK 887711300
1	UL 1007 #18 YEL 887711303
Item	WIRE TYPE

NOTE: 1. ELECTRIC PERFORMANCE:
 ▽ DIELECTRIC STRENGTH: 500 V DC/0.01Sec.
 INSULATION RESISTANCE: 100M OHMS Min.
 CONDUCTIVE RESISTANCE: 2 OHMS Max.
 2. HOUSING 675820000:
 POLYESTER(PBT), UL94V-0(BLACK)

EC NO. A1	DRWN: BENTZ 02/08/08 CHK: APPR:	DESCRIPTION REV	QUALITY SYMBOLS MAJOR ▽ = CRITICAL ▽ = I	GENERAL TOLERANCES: (UNLESS SPECIFIED)		SCALE	DESIGN UNITS <input type="checkbox"/> mm <input type="checkbox"/> INCH	THIRD ANGLE PROJECTION	DIMENSIONS: <input type="checkbox"/> mm <input type="checkbox"/> INCH <input type="checkbox"/> mm ONLY		SHT	REV
				4 PLACES ±0.	±.	DRAWN BY & DATE BENTZ 02/08/08	TITLE: S-ATA POWER CABLE ASSEMBLY					
				3 PLACES ±0.	±.	CHECKED BY & DATE Tony Wong 02/08/08	APPROVED BY & DATE Tony Wong 02/08/08		MATERIAL NO. SEE TABLE		DRAWING NO. SD-88755-005	SHEET NO. 1 OF 1
				2 PLACES ±0.	±.	CAD FILENAME S88755AE.S01	MATERIAL NO. SEE TABLE		DRAWING NO. SD-88755-005		SHEET NO. 1 OF 1	
				1 PLACE ±0.	±.	ANGULAR: ± °		THIS DRAWING CONTAINS INFORMATION THAT IS PROPRIETARY TO MOLEX INCORPORATED AND SHOULD NOT BE USED WITHOUT WRITTEN PERMISSION.		SIZE A4		

6

5

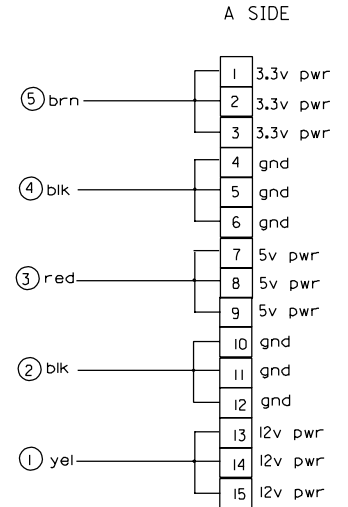
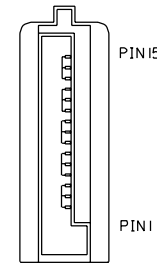
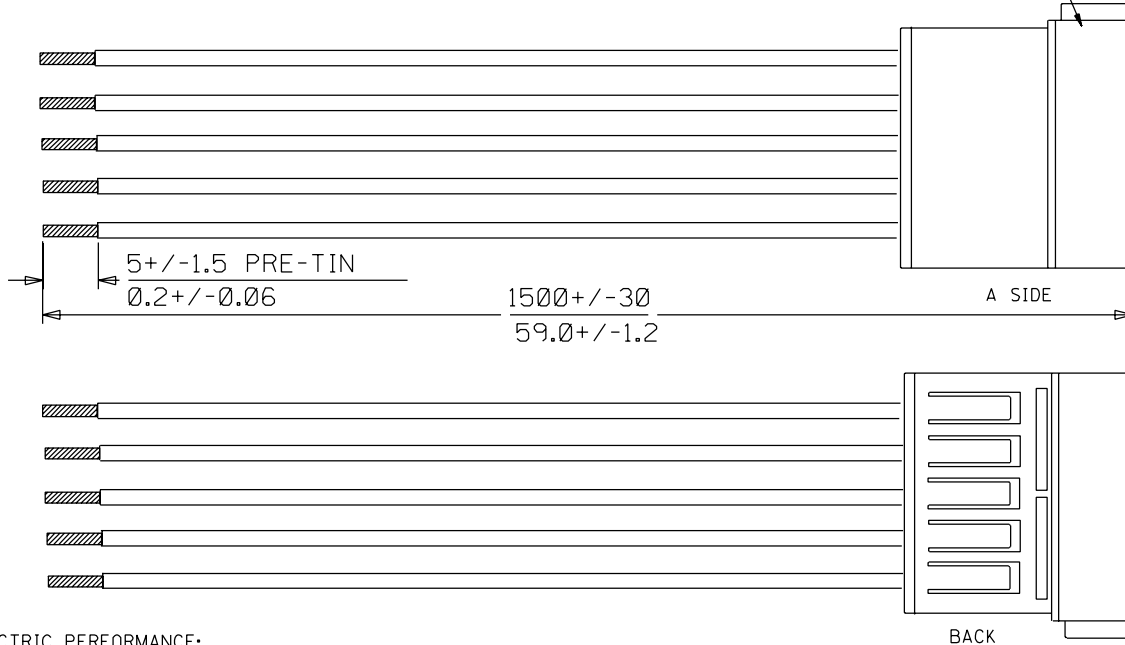
4

3

2

1

HOUSING 675820000
TERMINAL(SEE TABLE)



NOTE: 1. ELECTRIC PERFORMANCE:
DIELECTRONIC STRENGTH: 500 V DC/0.01Sec.
INSULATION RESISTANCE: 100M OHMS Min.
CONDUCTIVE RESISTANCE: 2 OHMS Max.

2. HOUSING 675820000:
POLYESTER(PBT), UL94V-0(BLACK)

887577811	675810001 30u" Gold-plated
887577810	675810000 GOLD FLASH
MATERIAL NO.	TERMINAL

TABLE

5	UL1007 #18 BRN 887711305
4	UL1007 #18 BLK 887711300
3	UL1007 #18 RED 887711301
2	UL1007 #18 BLK 887711300
1	UL1007 #18 YEL 887711303
Item	WIRE TYPE

CONNECTION DIAGRAM

DIMENSIONS:	SHT	REV
<input type="checkbox"/> mm <input type="checkbox"/> INCH	<input type="checkbox"/> mm <input type="checkbox"/> ONLY	REVISE ON CAD ONLY

EC NO. DRWN: Louis 04/03/23 CHK: APPR:	EC NO. DRWN: BENTZ 02/08/08 CHK: APPR:	DESCRIPTION REV	QUALITY SYMBOLS MAJOR ▼ = 0 CRITICAL ▽ = 0	GENERAL TOLERANCES: (UNLESS SPECIFIED)		SCALE	DESIGN UNITS <input checked="" type="checkbox"/> mm <input type="checkbox"/> INCH	THIRD ANGLE PROJECTION	TITLE: S-ATA POWER TO PIGTAIL CABLE ASSEMBLY 1.5M (3.3V+5V+12V)	MATERIAL NO. SEE TABLE	DRAWING NO. SD-88755-005	SHEET NO. 1 OF 1
				4 PLACES ±0.	±.	DRAWN BY & DATE BENTZ 02/08/08	APPROVED BY & DATE Tony Wong 02/08/08					
				3 PLACES ±0.	±.	CHECKED BY & DATE Tony Wong 02/08/08		MOLEX INCORPORATED				
				2 PLACES ±0.	±.	APPROVED BY & DATE Tony Wong 02/08/08						
				1 PLACE ±0.	±.	CAD FILENAME S88755AE.S01						
				ANGULAR: ±	°	THIS DRAWING CONTAINS INFORMATION THAT IS PROPRIETARY TO MOLEX INCORPORATED AND SHOULD NOT BE USED WITHOUT WRITTEN PERMISSION.						