



Chipsmall Limited consists of a professional team with an average of over 10 year of expertise in the distribution of electronic components. Based in Hongkong, we have already established firm and mutual-benefit business relationships with customers from,Europe,America and south Asia,supplying obsolete and hard-to-find components to meet their specific needs.

With the principle of “Quality Parts,Customers Priority,Honest Operation,and Considerate Service”,our business mainly focus on the distribution of electronic components. Line cards we deal with include Microchip,ALPS,ROHM,Xilinx,Pulse,ON,Everlight and Freescale. Main products comprise IC,Modules,Potentiometer,IC Socket,Relay,Connector.Our parts cover such applications as commercial,industrial, and automotives areas.

We are looking forward to setting up business relationship with you and hope to provide you with the best service and solution. Let us make a better world for our industry!



## Contact us

Tel: +86-755-8981 8866 Fax: +86-755-8427 6832

Email & Skype: info@chipsmall.com Web: www.chipsmall.com

Address: A1208, Overseas Decoration Building, #122 Zhenhua RD., Futian, Shenzhen, China



6

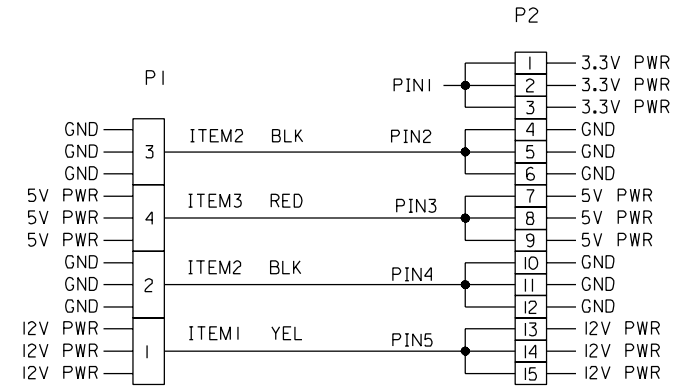
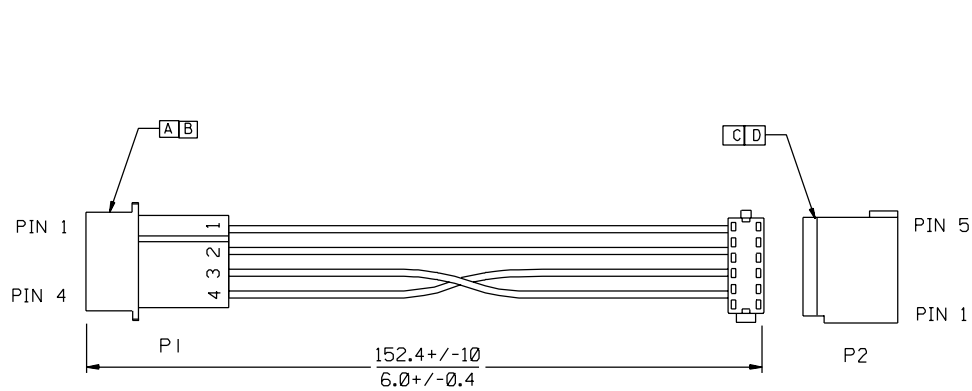
5

4

3

2

1



## NOTE: I. ELECTRIC PERFORMANCE:

DIELECTRONIC STRENGTH: 500 V DC/0.01Sec.  
INSULATION RESISTANCE: 100M OHMS Min.  
CONDUCTIVE RESISTANCE: 2 OHMS Max.

|             |             |                  |
|-------------|-------------|------------------|
| 887614510   | 679260012   | 30u" Gold-plated |
| 887614500   | 679260011   | Gold Flash       |
| MATERIAL NO | S-ATA CONN. | DESCRIPTION      |

|      |                          |     |       |
|------|--------------------------|-----|-------|
| D    | COVER 679260040          | 1   |       |
| C    | S-ATA CONN.: SEE TABLE   | 1   |       |
| B    | 4P CONTACT 887899491     | 4   |       |
| A    | 4P PWR HOUSING 887899490 | 1   |       |
| 3    | UL1007 #18 RED 887711351 | 1   | 144   |
| 2    | UL1007 #18 BLK 887711350 | 2   | 288   |
| 1    | UL1007 #18 YEL 887711353 | 1   | 144   |
| ITEM | DESCRIPTION              | QTY | L(mm) |

|   |                    |                                     |   |      |  |   |                             |  |  |            |     |  |
|---|--------------------|-------------------------------------|---|------|--|---|-----------------------------|--|--|------------|-----|--|
| EC NO.<br>DRWN: Louis 03/09/08<br>CHK:<br>APPR: | DESCRIPTION<br>REV | QUALITY SYMBOLS                     | GENERAL TOLERANCES:<br>(UNLESS SPECIFIED) |      | SCALE<br>N.T.S                             | DESIGN UNITS<br><input checked="" type="checkbox"/> mm <input type="checkbox"/> INCH  | THIRD ANGLE<br>PROJECTION   | DIMENSIONS:<br><input checked="" type="checkbox"/> mm <input type="checkbox"/> INCH <input type="checkbox"/> mm ONLY |  | SHT        | REV |  |
|   |                    | MAJOR<br>▼ = 0<br>CRITICAL<br>▽ = 0 | mm  | INCH | DRAWN BY & DATE<br>Louis Chen 03/09/08     | TITLE:<br>S-ATA IDT POWER ADAPTER CABLE<br>(5V+12V), 6 INCH   |                             |  |  |            |     |  |
|   |                    |                                     | 4 PLACES ±0.                              | ±.   | CHECKED BY & DATE<br>David Wang 03/09/08   | MOLEX INCORPORATED  |                             |  |  |            |     |  |
|   |                    |                                     | 3 PLACES ±0.                              | ±.   | APPROVED BY & DATE<br>Ricky Leung 03/09/08 | MATERIAL NO.<br>887-6145-XX   | DRAWING NO.<br>SD-88755-006 | SHEET NO.<br>1 OF 1  |  |            |     |  |
| A   |                    |                                     | 2 PLACES ±0.                              | ±.   | CAD FILENAME<br>J6145-XX .DGN              | THIS DRAWING CONTAINS INFORMATION THAT IS PROPRIETARY TO MOLEX<br>INCORPORATED AND SHOULD NOT BE USED WITHOUT WRITTEN PERMISSION. |                             |  |  | SIZE<br>A4 |     |  |
|   |                    |                                     | 1 PLACE ±0.                               | ±.   |  |   |                             |  |  |            |     |  |
|   |                    |                                     | ANGULAR: ± °                              |      |  |   |                             |  |  |            |     |  |