



Chipsmall Limited consists of a professional team with an average of over 10 year of expertise in the distribution of electronic components. Based in Hongkong, we have already established firm and mutual-benefit business relationships with customers from,Europe,America and south Asia,supplying obsolete and hard-to-find components to meet their specific needs.

With the principle of "Quality Parts,Customers Priority,Honest Operation,and Considerate Service",our business mainly focus on the distribution of electronic components. Line cards we deal with include Microchip,ALPS,ROHM,Xilinx,Pulse,ON,Everlight and Freescale. Main products comprise IC,Modules,Potentiometer,IC Socket,Relay,Connector.Our parts cover such applications as commercial,industrial, and automotives areas.

We are looking forward to setting up business relationship with you and hope to provide you with the best service and solution. Let us make a better world for our industry!



## Contact us

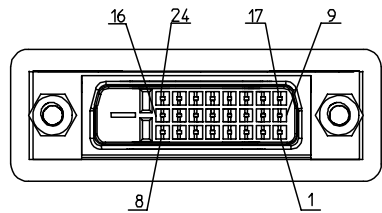
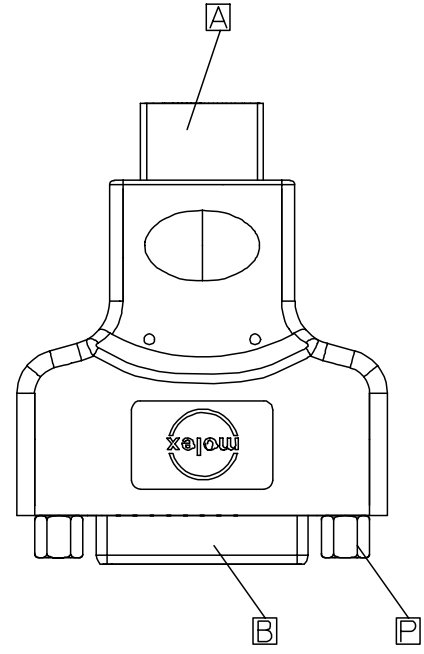
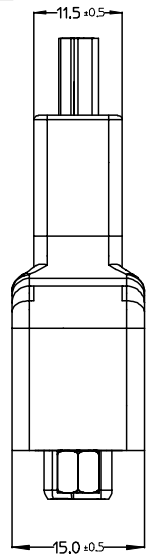
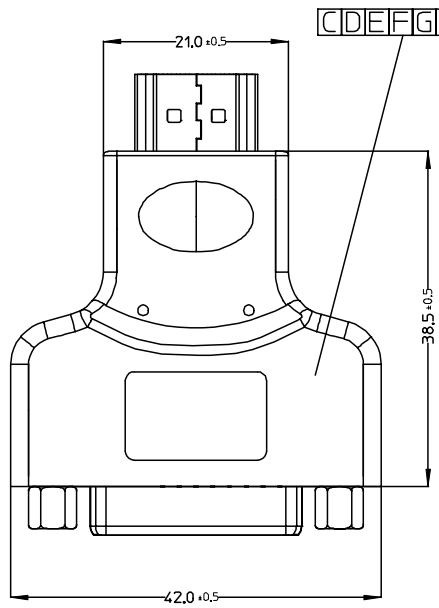
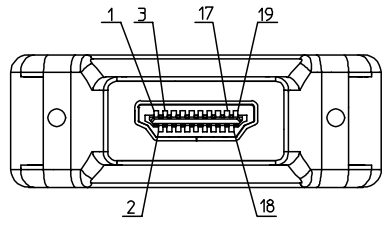
Tel: +86-755-8981 8866 Fax: +86-755-8427 6832

Email & Skype: info@chipsmall.com Web: www.chipsmall.com

Address: A1208, Overseas Decoration Building, #122 Zhenhua RD., Futian, Shenzhen, China



6 5 4 3 2 1



P	4-40 UNC NUT	2
N	UL&CSA 1061/#28 VIOLET	1
M	UL&CSA 1061/#28 RED	1
L	UL&CSA 1061/#28 YELLOW	1
K	UL&CSA 1061#28 ORANGE	1
J	UL&CSA 1061#28 WHITE	1
H	TMDS #28 RED	1
G	TMDS #28 BLACK	1
F	TMDS #28 BLUE	1
E	TMDS #28 BROWN	1
D	TOP METAL CAN	1
C	BOTTOM METAL CAN	1
B	DVI-D FEMALE	1
A	HDMI PLUG	1
ITEM	DESCRIPTION	USAGE

EC NO. A	DRWN: CHK: APPR:	DESCRIPTION REV	QUALITY SYMBOLS	GENERAL TOLERANCES: (UNLESS SPECIFIED)	SCALE N.S.T	DESIGN UNITS <input checked="" type="checkbox"/> mm <input type="checkbox"/> INCH	<input type="checkbox"/> mm <input type="checkbox"/> INCH <input checked="" type="checkbox"/> mm ONLY	THIRD ANGLE PROJECTION	SHT	REV						
			MAJOR ▽ = 0	CRITICAL ▽ = 0	4 PLACES 0.	3 PLACES 0.	2 PLACES 0.	1 PLACE 0.	ANGULAR: °	DRAWN BY & DATE ANDY 04/04/01		CHECKED BY & DATE Teddy 04/04/01		APPROVED BY & DATE Boran 04/04/01		TITLE: HDMI(M) TO DVI-D(F) ADAPTOR
						CAD FILENAME J6420-00.MI		MATERIAL NO. 88764-2000	DRAWING NO. SD-88764-005		SHEET NO. 1 OF 2		MOLEX INCORPORATED		SIZE A4	
THIS DRAWING CONTAINS INFORMATION THAT IS PROPRIETARY TO MOLEX INCORPORATED AND SHOULD NOT BE USED WITHOUT WRITTEN PERMISSION.																

WBORD\_A.BOR REV A  
97/05/14 LEVEL 3

6

5

4

3

2

1

E

D

C

B

A

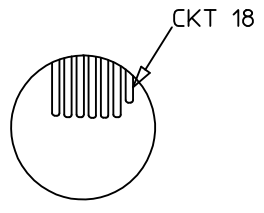
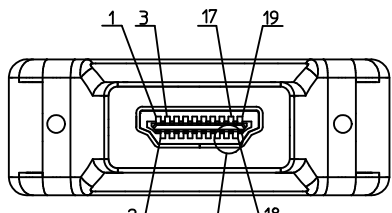
## NOTE:1. OVERMOLD SPECIFICATION:

- 1.1 OVERMOLD OUTER MOLD WITH WHITE PVC RESIN UL94V-0  
 1.2 OVERMOLD INNER MOLD WITH PE RESIN  
 2. CABLE ELECTRICAL SPECIFICATION:  
 2.1 DIELECTRIC STRENGTH: 300V AC FOR 10MS.  
 2.2 INSULATION RESISTANCE: 10 MEGA Ohms MIN.  
 2.3 CONTACT RESISTANCE: 2 OHMS(MAX.)

SHIELD	=====	SHIELD	SHIELD	GROUND
PIN 19	=====	PIN 16	WHITE	HOT PLUG DETECT
PIN 18	=====	PIN 14	YELLOW	POWER +5V
PIN 17	=====	PIN 15	ORANGE	GROUND (+5V&DDC)
PIN 16	=====	PIN 7	RED	DDC DATA (SDA)
PIN 15	=====	PIN 6	VIOLET	DDC CLOCK (SCL)
PIN 12	⊗	PIN 24	WHITE	TMDS CLOCK -
PIN 10	⊗	PIN 23	BROWN	TMDS CLOCK +
PIN 11	=====	PIN 22	BRAID	TMDS CLOCK SHIELD
PIN 9	⊗	PIN 17	WHITE	TMDS DATA 0-
PIN 7	⊗	PIN 18	BLUE	TMDS DATA 0+
PIN 8	=====	PIN 19	BRAID	TMDS DATA 0 SHIELD
PIN 6	⊗	PIN 9	WHITE	TMDS DATA 1-
PIN 4	⊗	PIN 10	BLACK	TMDS DATA 1+
PIN 5	=====	PIN 11	BRAID	TMDS DATA 1 SHIELD
PIN 3	⊗	PIN 1	WHITE	TMDS DATA 2+
PIN 1	=====	PIN 2	RED	TMDS DATA 2+
PIN 2	=====	PIN 3	BRAID	TMDS DATA 2 SHIELD
HDMI		DVI-D	WIRE COLOR	DVI-D

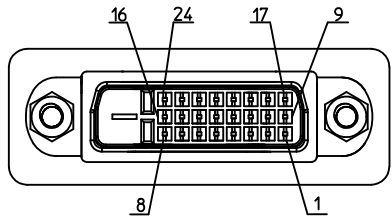
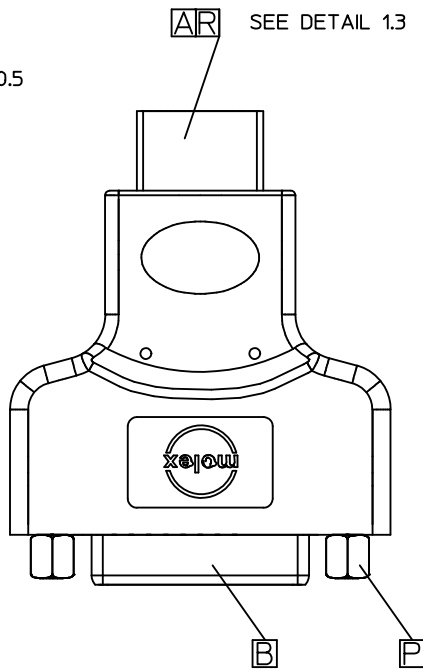
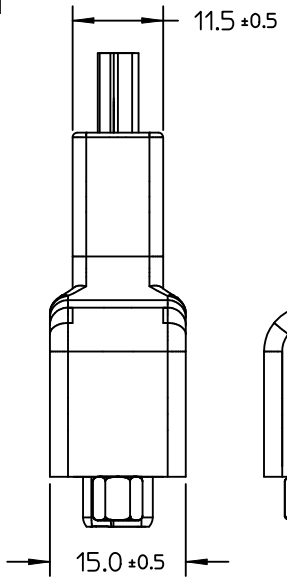
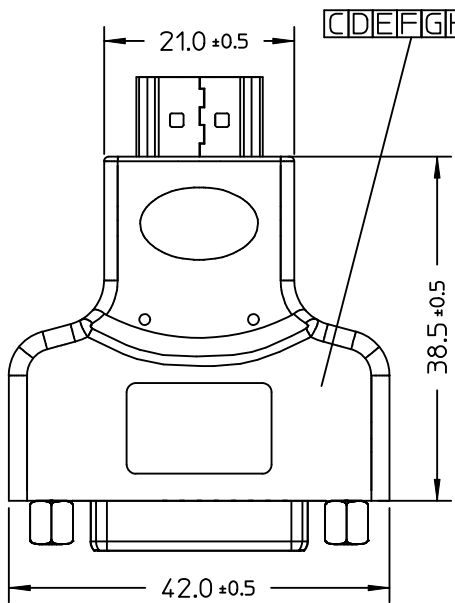
EC NO. DRWN: CHK: APPR:	DESCRIPTION	QUALITY SYMBOLS	GENERAL TOLERANCES: (UNLESS SPECIFIED)		SCALE N.S.T	DESIGN UNITS <input checked="" type="checkbox"/> mm <input type="checkbox"/> INCH	THIRD ANGLE PROJECTION	<input type="checkbox"/> mm <input type="checkbox"/> INCH <input checked="" type="checkbox"/> mm ONLY	SHT	REV
		MAJOR ▼ -0 CRITICAL ▽ -0	mm	INCH	DRAWN BY & DATE ANDY 04/04/01	TITLE: HDMI(M) TO DVI-D(F) ADAPTOR				
A	REV	4 PLACES 0.	ANGULAR: °		CHECKED BY & DATE Teddy 04/04/01	MOLEX INCORPORATED				
		3 PLACES 0.			APPROVED BY & DATE Boran 04/04/01	CAD FILENAME J6420-00.MI	MATERIAL NO. 88764-2000	DRAWING NO. SD-88764-005	SHEET NO. 2 OF 2	
THIS DRAWING CONTAINS INFORMATION THAT IS PROPRIETARY TO MOLEX INCORPORATED AND SHOULD NOT BE USED WITHOUT WRITTEN PERMISSION.										SIZE A4

REVISIONS				
EC NO	DATE	REV	DESCRIPTION	CHANGER
CY12-7060	2011/07/19	J	ADD 172003402 & 172005585 & 172005586	VANESSA



SEE DETAIL A

DETAIL A




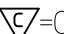
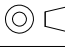
U	Loctech#712 Accelerator 500ml/btl/HF	AR
T	Loctech#V300.Glue.500g/btl/HF	AR
S	PRE-CUT CFoil 47x23mm T-25U HF	1
R	HDMI 19P MALE.30U"Au Solder Type	1
P	4-40 UNC NUT	2
N	UL&CSA 1061/#28 VIOLET	1
M	UL&CSA 1061/#28 RED	1
L	UL&CSA 1061/#28 YELLOW	1
K	UL&CSA 1061#28 ORANGE	1
J	UL&CSA 1061#28 WHITE	1
H	TMDS #28 RED	1
G	TMDS #28 BLACK	1
F	TMDS #28 BLUE	1
E	#PX28AWG.SHL.D.PVC.BROW.2.95MM	1
D	TOP METAL CAN	1
C	BOTTOM METAL CAN	1
B	DVI-D FEMALE	1
A	Metal Shell For HDMI 19P Male	1
ITEM	DESCRIPTION	USAGE

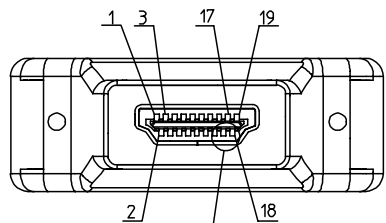
<b>ENTER DESCRIPTION</b> EC NO: DG2012-0157 DRWN:FZHANG01 2011/08/15 CHKD:VANESSA 2011/08/15 APPR:ZXDENG 2011/08/17	<b>QUALITY SYMBOLS</b>                                	<b>GENERAL TOLERANCES (UNLESS SPECIFIED)</b>		<b>DIMENSION STYLE</b> MM ONLY		SCALE --	DESIGN UNITS METRIC	<b>THIRD ANGLE PROJECTION</b>			
		4 PLACES ± --- ± --- 3 PLACES ± --- ± --- 2 PLACES ± --- ± --- 1 PLACE ± --- ± ---		mm INCH DRAWN BY DATE FZHANG01 2011/08/15 CHECKED BY DATE TEDDY 2011/08/15 APPROVED BY DATE ZXDENG 2011/08/17		TITLE <b>HDMI(M) TO DVI-D(F) ADAPTOR</b>		<b>MOLEX INCORPORATED</b>			
		ANGULAR ± ---°		MATERIAL NO. <b>887642000</b>		DOCUMENT NO. <b>SD-88764-2000</b>		SHEET NO. <b>1 OF 2</b>			
		DRAFT WHERE APPLICABLE MUST REMAIN WITHIN DIMENSIONS		THIS DRAWING CONTAINS INFORMATION THAT IS PROPRIETARY TO MOLEX INCORPORATED AND SHOULD NOT BE USED WITHOUT WRITTEN PERMISSION							

NOTE:

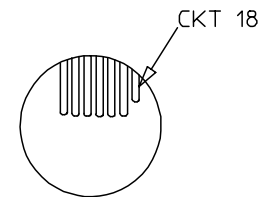
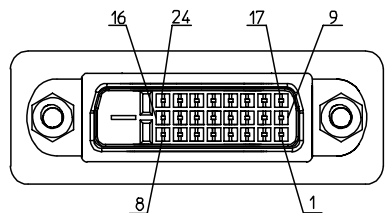
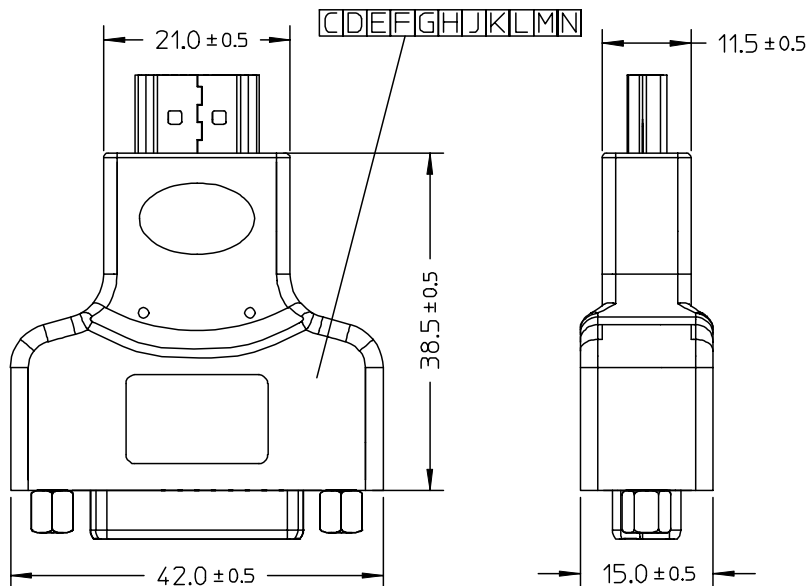
- 1. OVERMOLD SPECIFICATION
  - 1.1 OVERMOLD OUTER MOLD WITH WHITE PVC RESIN
  - 1.2 OVERMOLD INNER MOLD WITH PVC RESIN
  - 1.3 HDMI DUST COVER WITH PE
- 2. THIS PRODUCT CAN PASS 100% CONTINUITY TEST.
- 3. THIS PRODUCT MUST MEET EU CHEMICAL SUBSTANCE SPECIFICATION FOR PRODUCTS. (EU 2002/95/EC)

SHIELD	SHIELD	SHIELD	GROUND
PIN 19	PIN 16	WHITE	HOT PLUG DETECT
PIN 18	PIN 14	YELLOW	POWER +5V
PIN 17	PIN 15	ORANGE	GROUND (+5V&DDC)
PIN 16	PIN 7	RED	DDC DATA (SDA)
PIN 15	PIN 6	VIOLET	DDC CLOCK (SCL)
PIN 12	PIN 24	WHITE	TMDS CLOCK -
PIN 10	PIN 23	GREEN	TMDS CLOCK +
PIN 11	PIN 22	BRAID	TMDS CLOCK SHIELD
PIN 9	PIN 17	WHITE	TMDS DATA 0-
PIN 7	PIN 18	GREEN	TMDS DATA 0+
PIN 8	PIN 19	BRAID	TMDS DATA 0 SHIELD
PIN 6	PIN 9	WHITE	TMDS DATA 1-
PIN 4	PIN 10	GREEN	TMDS DATA 1+
PIN 5	PIN 11	BRAID	TMDS DATA 1 SHIELD
PIN 3	PIN 1	WHITE	TMDS DATA 2+
PIN 1	PIN 2	GREEN	TMDS DATA 2+
PIN 2	PIN 3	BRAID	TMDS DATA 2 SHIELD
HDMI	DVI-D	INNER COLOR WIRE COLOR	OUTER COLOR FUNCTION

ENTER DESCRIPTION EC NO: DG2012-0157 DRWN:FZHANG01 CHKD:VANESSA APPR:ZXDENG	DESCRIPTION 2011/08/15 2011/08/15 2011/08/17	QUALITY SYMBOLS  =0  =0	GENERAL TOLERANCES (UNLESS SPECIFIED)		DIMENSION STYLE		SCALE	DESIGN UNITS	 THIRD ANGLE PROJECTION			
				mm	INCH	MM ONLY		---		METRIC		
			4 PLACES	± ---	± ---	DRAWN BY	DATE	TITLE				
			3 PLACES	± ---	± ---	FZHANG01	2011/08/15					
2 PLACES	± ---	± ---	CHECKED BY	DATE	HDMI(M) TO DVI-D(F) ADAPTOR							
1 PLACE	± ---	± ---	TEDDY	2011/08/15								
ANGULAR ± ---°			APPROVED BY	DATE	MOLEX INCORPORATED							
DRAFT WHERE APPLICABLE MUST REMAIN WITHIN DIMENSIONS			ZXDENG	2011/08/17								
			MATERIAL NO.	887642000		DOCUMENT NO.		SD-88764-2000				
			SIZE	THIS DRAWING CONTAINS INFORMATION THAT IS PROPRIETARY TO MOLEX INCORPORATED AND SHOULD NOT BE USED WITHOUT WRITTEN PERMISSION								



SEE DETAIL A



DETAIL A

S	47152-6009	SMALL METAL PLATED	1
R	47152-4001	HDMI METAL CAN	1
P	887806066	4-40 UNC NUT	2
N	887719807	UL&CSA 1061/#28 VIOLET	1
M	887719801	UL&CSA 1061/#28 RED	1
L	887719803	UL&CSA 1061/#28 YELLOW	1
K	887719802	UL&CSA 1061/#28 ORANGE	1
J	887719809	UL&CSA 1061/#28 WHITE	1
H	887808260	TMDS #28 RED	1
G	887808256	TMDS #28 BLACK	1
F	887808259	TMDS #28 BLUE	1
E	887808258	TMDS #28 BROWN	1
D	887899826	TOP METAL CAN	1
C	887899825	BOTTOM METAL CAN	1
B	743205004	DVI-D FEMALE	1
A	47152-1100	HDMI HOUSING ASSY'	1
ITEM	MX P/N	DESCRIPTION	USAGE

ENTER DESCRIPTION EC NO: DG2006-0144 DRWN: JFZHENG 2005/12/27 CHKD: 2005/12/30 APPR: DQLUO 2006/01/16	DESCRIPTION ▲=0 ▽=0	GENERAL TOLERANCES (UNLESS SPECIFIED)		DIMENSION STYLE MM ONLY		SCALE ---	DESIGN UNITS METRIC	THIRD ANGLE PROJECTION		
			mm	INCH	DRAWN BY	DATE	TITLE			
		4 PLACES	±---	±---	JFZHENG	2005/12/27	HDMI(M) TO DVI-D(M) ADAPTER			
		3 PLACES	±---	±---	CHECKED BY	DATE				
		2 PLACES	±---	±---	JFZHENG	2005/12/27	MOLEX INCORPORATED			
1 PLACE	±---	±---	APPROVED BY	DATE						
ANGULAR ±---°		DQLUO		2005/12/27	MATERIAL NO.		DOCUMENT NO.		SHEET NO.	
DRAFT WHERE APPLICABLE MUST REMAIN WITHIN DIMENSIONS		887642000		SD-887642000		1 OF 2				
		SIZE		THIS DRAWING CONTAINS INFORMATION THAT IS PROPRIETARY TO MOLEX INCORPORATED AND SHOULD NOT BE USED WITHOUT WRITTEN PERMISSION						

NOTE:

1. OVERMOLD SPECIFICATION:
  - 1.1 OVERMOLD OUTER MOLD WITH WHITE PVC RESIN UL94V-0 P/N IS 887800076.
  - 1.2 OVERMOLD INNER MOLD WITH PVC RESIN P/N IS 887800019
  - 1.3 HDMI DUST COVER WITH PE 887800008
2. CABLE ELECTRICAL SPECIFICATION:
  - 2.1 DIELECTRIC STRENGTH: 300V AC FOR 10MS.
  - 2.2 INSULATION RESISTANCE: 10 MEGA Ohms MIN.
  - 2.3 CONTACT RESISTANCE: 2 OHMS(MAX.)
3. ALL MATERIALS MUST MEET MX TS-0002.

SHIELD	=====	SHIELD	SHIELD	GROUND
PIN 19	=====	PIN 16	WHITE	HOT PLUG DETECT
PIN 18	=====	PIN 14	YELLOW	POWER +5V
PIN 17	=====	PIN 15	ORANGE	GROUND (+5V&DDC)
PIN 16	=====	PIN 7	RED	DDC DATA (SDA)
PIN 15	=====	PIN 6	VIOLET	DDC CLOCK (SCL)
PIN 12	=====	PIN 24	WHITE	TMDS CLOCK -
PIN 10	=====	PIN 23	BROWN	TMDS CLOCK +
PIN 11	=====	PIN 22	BRAID	TMDS CLOCK SHIELD
PIN 9	=====	PIN 17	WHITE	TMDS DATA 0-
PIN 7	=====	PIN 18	BLUE	TMDS DATA 0+
PIN 8	=====	PIN 19	BRAID	TMDS DATA 0 SHIELD
PIN 6	=====	PIN 9	WHITE	TMDS DATA 1-
PIN 4	=====	PIN 10	BLACK	TMDS DATA 1+
PIN 5	=====	PIN 11	BRAID	TMDS DATA 1 SHIELD
PIN 3	=====	PIN 1	WHITE	TMDS DATA 2+
PIN 1	=====	PIN 2	RED	TMDS DATA 2+
PIN 2	=====	PIN 3	BRAID	TMDS DATA 2 SHIELD
HDMI		DVI-D	WIRE COLOR	FUNCTION

ENTER DESCRIPTION EC NO: DG2006-0144 DRWN: JFZHENG CHKD: APPR: DQLUO	2005/12/27 2005/12/30 2006/01/16	DESCRIPTION REV	QUALITY SYMBOLS	GENERAL TOLERANCES (UNLESS SPECIFIED)	DIMENSION STYLE	SCALE	DESIGN UNITS	THIRD ANGLE PROJECTION
			=0 =0	mm      INCH 4 PLACES ± --- ± --- 3 PLACES ± --- ± --- 2 PLACES ± --- ± --- 1 PLACE ± --- ± --- ANGULAR ± ---°	MM ONLY	---	METRIC	
				DRAWN BY      DATE JFZHENG      2005/12/27 CHECKED BY      DATE JFZHENG      2005/12/27 APPROVED BY      DATE DQLUO      2005/12/27	TITLE			HDMI(M) TO DVI-D(M) ADAPTER
				MATERIAL NO.      DOCUMENT NO.      SHEET NO. 887642000      SD-887642000      2 OF 2	MOLEX INCORPORATED			