



Chipsmall Limited consists of a professional team with an average of over 10 year of expertise in the distribution of electronic components. Based in Hongkong, we have already established firm and mutual-benefit business relationships with customers from,Europe,America and south Asia,supplying obsolete and hard-to-find components to meet their specific needs.

With the principle of “Quality Parts,Customers Priority,Honest Operation,and Considerate Service”,our business mainly focus on the distribution of electronic components. Line cards we deal with include Microchip,ALPS,ROHM,Xilinx,Pulse,ON,Everlight and Freescale. Main products comprise IC,Modules,Potentiometer,IC Socket,Relay,Connector.Our parts cover such applications as commercial,industrial, and automotives areas.

We are looking forward to setting up business relationship with you and hope to provide you with the best service and solution. Let us make a better world for our industry!



Contact us

Tel: +86-755-8981 8866 Fax: +86-755-8427 6832

Email & Skype: info@chipsmall.com Web: www.chipsmall.com

Address: A1208, Overseas Decoration Building, #122 Zhenhua RD., Futian, Shenzhen, China



6

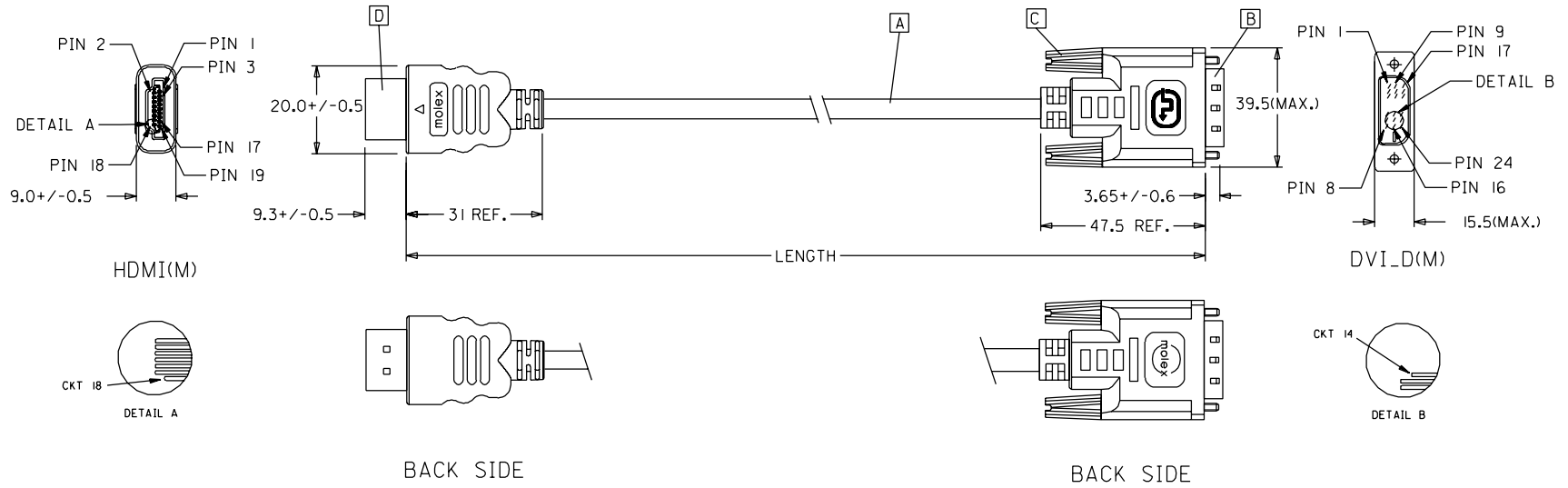
5

4

3

2

1



| | | | | |
|------------|---------------------------------|------------|-------------|----------------------|
| 88768-3620 | HDMI TO DVI-D(M) CABLE ASS'Y,3M | 3000+/-80 | BLACK | 5,5MM(TMDS - AWG*30) |
| 88768-3610 | HDMI TO DVI-D(M) CABLE ASS'Y,2M | 2000+/-60 | BLACK | 5,5MM(TMDS - AWG*30) |
| 88768-3600 | HDMI TO DVI-D(M) CABLE ASS'Y,1M | 1000+/-30 | BLACK | 5,5MM(TMDS - AWG*30) |
| 88768-3530 | HDMI TO DVI-D(M) CABLE ASS'Y,5M | 5000+/-100 | BLACK | 7,3MM(TMDS - AWG*28) |
| 88768-3520 | HDMI TO DVI-D(M) CABLE ASS'Y,3M | 3000+/-80 | BLACK | 7,3MM(TMDS - AWG*28) |
| 88768-3510 | HDMI TO DVI-D(M) CABLE ASS'Y,2M | 2000+/-60 | BLACK | 7,3MM(TMDS - AWG*28) |
| 88768-3500 | HDMI TO DVI-D(M) CABLE ASS'Y,1M | 1000+/-30 | BLACK | 7,3MM(TMDS - AWG*28) |
| MX P/N | DESCRIPTION | LENGTH | CABLE COLOR | CABLE OD |

| | | | | | | | | | | |
|---------------------------------------|--------------------|---|---|--|---|--|--|--|-----------------------------|---------------------|
| EC NO. DRWN: CHK: APPR: C | DESCRIPTION REV | QUALITY SYMBOLS MAJOR ▼ = 0 CRITICAL ▽ = 0 | GENERAL TOLERANCES: (UNLESS SPECIFIED) | | SCALE N.S.T | DESIGN UNITS <input checked="" type="checkbox"/> mm <input type="checkbox"/> INCH | <input type="checkbox"/> THIRD ANGLE <input type="checkbox"/> FIRST ANGLE PROJECTION | <input type="checkbox"/> mm <input type="checkbox"/> INCH <input checked="" type="checkbox"/> mm ONLY | SHT REV | |
| | | 4 PLACES ±0. ±. 3 PLACES ±0. ±. 2 PLACES ±0. ±. 1 PLACE ±0. ±. | mm INCH | DRAWN BY & DATE Louis Chen 03/11/17 | TITLE: HDMI(M) TO DVI-D(M) CABLE ASS'Y | | | MATERIAL NO. SEE TABLE | DRAWING NO. SD-88768-001 | SHEET NO. 1 OF 2 |
| | | ANGULAR: ± ° | APPROVED BY & DATE Baron Chen 03/11/17 | MOLEX INCORPORATED | | | THIS DRAWING CONTAINS INFORMATION THAT IS PROPRIETARY TO MOLEX INCORPORATED AND SHOULD NOT BE USED WITHOUT WRITTEN PERMISSION. | | | |
| | | CAD FILENAME S88768AA.SOI | SIZE A4 | | | | | | | |

6

5

4

3

2

1

NOTE: 1. OVERMOLD SPECIFICATION

1.1 DVI BOOT MOLDED WITH SNOW WHITE PVC RESIN P/N.

1.1.1 UL94V-0

1.1.2 HARDNESS (DUROMETER): SHORE A 90-95

1.2 HDMI OUTER MOLD WITH BLACK PVC RESIN. UL94V-0.

2. MECHANICAL SPECIFICATION

2.1 CABLE SHOULD STAND THE PULL FORCE 89-111N FOR 30 SECONDS WITH NO VISIBLE TERMINATION DAMAGE.

2.2 CABLE SHOULD PASS THE FLEX TEST IN 100 CYCLES AT EACH OF PLANES, PER EIA 364-41, CONDITION 1.

3. CABLE ELECTRICAL SPECIFICATION

3.1 DIELECTRIC STRENGTH: 300V AC FOR 10MS.

3.2 INSULATION RESISTANCE: 10 MEGA Ohms MIN.

3.3 DIFFERENTIAL LINES CHARACTERISTIC IMPEDANCE: 100+/-10 Ohms @TDR.

3.4 CONTACT RESISTANCE: 2 OHMS(MAX.).

3.5 SIGNALS CROSSTALK(FEXT): 5% (MAX.) PER ANSI/EIA-364-90.




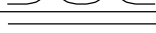



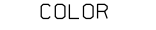
3.6 SIGNALS INTRA-PAIR SKEW : <150 ps.

4. DVI CONNECTOR SPECIFICATION

4.1 REFER TO PRODUCT SPEC. PS74320-0001.

4.2 CONTACT PLATING: AU FLASH.

5. MATERIAL MUST MEET MANAGEMENT REGULATIONS FOR ENVIRONMENT (MX TS-0002).

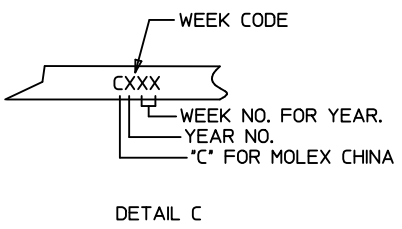
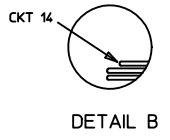
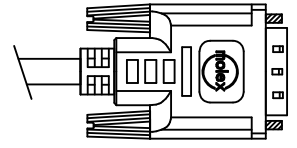
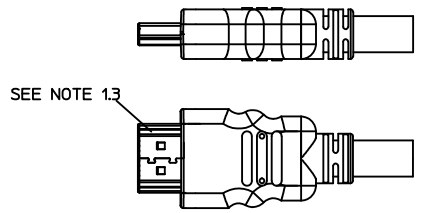
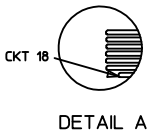
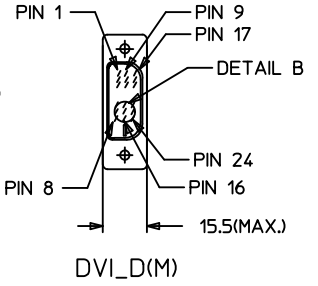
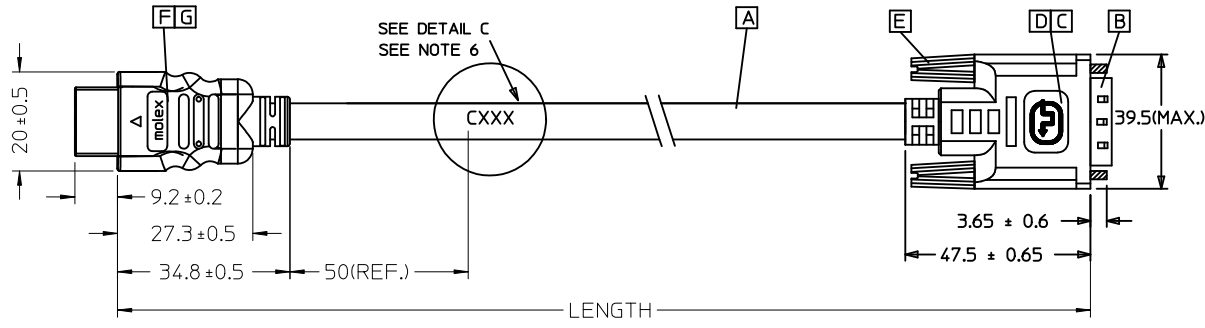
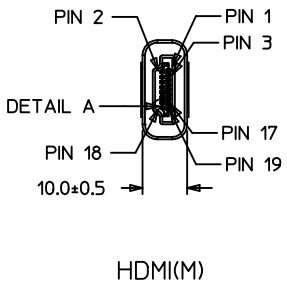
| SHIELD | SHIELD | | GROUND |
|--------|--------|---|--------------------|
| PIN 19 | PIN 16 | ===== | HOT PLUG DETECT |
| PIN 18 | PIN 14 | ===== | POWER +5V |
| PIN 17 | PIN 15 | ===== | GROUND(+5V&DDC) |
| PIN 16 | PIN 7 | ===== | DDC DATA(SDA) |
| PIN 15 | PIN 6 | ===== | DDC CLOCK(SCL) |
| PIN 11 | PIN 22 | ===== | TMDS CLOCK SHIELD |
| PIN 12 | PIN 24 |  | TMDS CLOCK- |
| PIN 10 | PIN 23 |  | TMDS CLOCK+ |
| PIN 8 | PIN 19 | ===== | TMDS DATA 0 SHIELD |
| PIN 9 | PIN 17 |  | TMDS DATA 0- |
| PIN 7 | PIN 18 |  | TMDS DATA 0+ |
| PIN 5 | PIN 11 | ===== | TMDS DATA 1 SHIELD |
| PIN 6 | PIN 9 |  | TMDS DATA 1- |
| PIN 4 | PIN 10 |  | TMDS DATA 1+ |
| PIN 2 | PIN 3 | ===== | TMDS DATA 2 SHIELD |
| PIN 3 | PIN 1 |  | TMDS DATA 2- |
| PIN 1 | PIN 2 |  | TMDS DATA 2+ |
| HDMI | DVI-D | COLOR | CABLE FUNCTION |

| D | HDMI PLUG ASSY' | 1 |
|------|------------------------------------|------|
| C | DVI THUMB SCREW | 2 |
| B | DVI_D SINGLE CHANNEL G/F CONNECTOR | 1 |
| A | DVI SINGLE LINK CABLE (SEE TABLE) | 1 |
| ITEM | DESCRIPTION | QTY. |

| EC NO. C | DRWN: CHK: APPR: | DESCRIPTION REV | QUALITY SYMBOLS | GENERAL TOLERANCES: (UNLESS SPECIFIED) | SCALE N.S.T | DESIGN UNITS <input checked="" type="checkbox"/> mm <input type="checkbox"/> INCH | THIRD ANGLE PROJECTION | <input type="checkbox"/> mm INCH <input type="checkbox"/> mm ONLY | SHT | REV | | | | | | | | | | | | | | | | | | | |
|--|------------------------|--------------------|---|---|---------------------------|--|---------------------------|---|------------|-----|----------|-----|----|----------|-----|----|---------|-----|----|--|--------------|--|--|---|--|---|---|--|--|
| | | | MAJOR ▼ = 0 | <table border="1"> <thead> <tr> <th></th> <th>mm</th> <th>INCH</th> </tr> </thead> <tbody> <tr> <td>4 PLACES</td> <td>±0.</td> <td>±.</td> </tr> <tr> <td>3 PLACES</td> <td>±0.</td> <td>±.</td> </tr> <tr> <td>2 PLACES</td> <td>±0.</td> <td>±.</td> </tr> <tr> <td>1 PLACE</td> <td>±0.</td> <td>±.</td> </tr> </tbody> </table> | | mm | INCH | 4 PLACES | ±0. | ±. | 3 PLACES | ±0. | ±. | 2 PLACES | ±0. | ±. | 1 PLACE | ±0. | ±. | <table border="1"> <thead> <tr> <th colspan="2">ANGULAR: ± °</th> </tr> </thead> <tbody> <tr> <td></td> <td>°</td> </tr> </tbody> </table> | ANGULAR: ± ° | | | ° | DRAWN BY & DATE Louis Chen 03/11/17 | TITLE: HDMI(M) TO DVI-D(M) CABLE ASS'Y | <input type="checkbox"/> mm INCH <input type="checkbox"/> mm ONLY | | |
| | | | | mm | INCH | | | | | | | | | | | | | | | | | | | | | | | | |
| | | | 4 PLACES | ±0. | ±. | | | | | | | | | | | | | | | | | | | | | | | | |
| 3 PLACES | ±0. | ±. | | | | | | | | | | | | | | | | | | | | | | | | | | | |
| 2 PLACES | ±0. | ±. | | | | | | | | | | | | | | | | | | | | | | | | | | | |
| 1 PLACE | ±0. | ±. | | | | | | | | | | | | | | | | | | | | | | | | | | | |
| ANGULAR: ± ° | | | | | | | | | | | | | | | | | | | | | | | | | | | | | |
| | ° | | | | | | | | | | | | | | | | | | | | | | | | | | | | |
| CRITICAL ▽ = 5 | | | CHECKED BY & DATE Teddy Kan 03/11/17 | APPROVED BY & DATE Boron Chen 03/11/17 | MOLEX INCORPORATED | | | | | | | | | | | | | | | | | | | | | | | | |
| | | | | CAD FILENAME S88768AA.S02 | MATERIAL NO. SEE TABLE | DRAWING NO. SD-88768-001 | SHEET NO. 2 OF 2 | | SIZE A4 | | | | | | | | | | | | | | | | | | | | |
| THIS DRAWING CONTAINS INFORMATION THAT IS PROPRIETARY TO MOLEX INCORPORATED AND SHOULD NOT BE USED WITHOUT WRITTEN PERMISSION. | | | | | | | | | | | | | | | | | | | | | | | | | | | | | |

WBORD_A.BOR REV A
97/05/14 LEVEL 3

7 6 5 4 3 2 1



| MX P/N | DESCRIPTION | LENGTH | CABLE COLOR | CABLE OD | CABLE P/N |
|-----------|---------------------------------|------------|-------------|---------------------|-----------|
| 887683630 | HDMI TO DVI-D(M) CABLE ASS'Y,5M | 5000 ± 100 | BLACK | 5.5MM(TMS - AWG#30) | 887808273 |
| 887683620 | HDMI TO DVI-D(M) CABLE ASS'Y,3M | 3000 ± 80 | BLACK | 5.5MM(TMS - AWG#30) | 887808273 |
| 887683610 | HDMI TO DVI-D(M) CABLE ASS'Y,2M | 2000 ± 60 | BLACK | 5.5MM(TMS - AWG#30) | 887808273 |
| 887683600 | HDMI TO DVI-D(M) CABLE ASS'Y,1M | 1000 ± 30 | BLACK | 5.5MM(TMS - AWG#30) | 887808273 |

| | | | | | | | | | |
|---|-------------------------------|---------------------------------------|---------------------------|----------------------------|-------------------------------|--------------|--|------------------------|--|
| ENTER DESCRIPTION EC NO: DG2011-0441 DRWN:FZHANG01 CHKD:JLJU13 APPR:ZXDENG 2011/05/04 2011/05/04 2011/05/11 | QUALITY SYMBOLS ▽=0 ◻=0 | GENERAL TOLERANCES (UNLESS SPECIFIED) | | DIMENSION STYLE MM ONLY | | SCALE --- | DESIGN UNITS METRIC | THIRD ANGLE PROJECTION | |
| | | | mm | INCH | DRAWN BY | DATE | TITLE HDMI(M) TO DVI-D(M) CABLE ASS'Y | | |
| | | 4 PLACES | ± --- | ± --- | FZHANG01 | 2011/05/04 | | | |
| | | 3 PLACES | ± --- | ± --- | CHECKED BY | DATE | MOLEX INCORPORATED | | |
| | | 2 PLACES | ± --- | ± --- | YHXU | 2011/05/04 | | | |
| 1 PLACE | ± --- | ± --- | APPROVED BY | DATE | DOCUMENT NO. SD-88768-36XX | | | | |
| ANGULAR ± ---° | | | ZXDENG | 2011/05/11 | | | | | |
| DRAFT WHERE APPLICABLE MUST REMAIN WITHIN DIMENSIONS | | | MATERIAL NO. 8876836xx | | SHEET NO. 1 OF 2 | | | | |
| THIS DRAWING CONTAINS INFORMATION THAT IS PROPRIETARY TO MOLEX INCORPORATED AND SHOULD NOT BE USED WITHOUT WRITTEN PERMISSION | | | | | | | | | |

6 5 4 3 2 1

NOTE:

1. OVERMOLD SPECIFICATION:
 - 1.1 DVI BOOT MOLDED SNOW WHITE PVC RESIN UL94V-0.
 - 1.2 HDMI INNER MOLDED WITH PVC RESIN
HDMI OUTER MOLDED WITH PVC RESIN
 - 1.3 DUST COVER MOLDED WITH PE
2. THE CODE PLEASE BE PRINTED ON THE SPACE
3. PRODUCT ELECTRICAL SPECIFICATION:
 - 3.1 HI-POT VOLTAGE: 300V DC FOR 10mS
 - 3.2 INSULATION RESISTANCE: 10 MEGA Ohms MIN.
 - 3.3 CONTACT RESISTANCE: 2 OHMS MAX. FOR 1&2&3M; 3 OHMS MAX. FOR 5M.
 - 3.4 DIFFERENTIAL LINES CHARACTERISTIC IMPEDANCE) : 100± 10 Ohms @TDR.
 - 3.5 SIGNALS CROSSTALK (FEET) : 5% (MAX.) PER ANSI/EIA-364-90.
 - 3.6 SIGNALS INTRA-PAIR SKEW(PER CABLE): <150PS.
4. DVI CONNECTOR SPECIFICATION:
 - 4.1 REFER TO PRODUCT SPEC. PS74320-001
 - 4.2 CONTACT PLATING: AU FLASH.
5. THIS PRODUCT MUST MEET EU CHEMICAL SUBSTANCE SPECIFICATION FOR PRODUCTS. (EU 2002/95/EC)

| SHIELD | SHIELD | OVERALL SHIELD | GROUND |
|--------|--------|----------------|--------------------|
| PIN 19 | PIN 16 | WHITE | HOT PLUG DETECT |
| PIN 18 | PIN 14 | YELLOW | POWER +5V |
| PIN 17 | PIN 15 | ORANGE | GROUND(+5V&DDC) |
| PIN 16 | PIN 7 | RED | DDC DATA(SDA) |
| PIN 15 | PIN 6 | VIOLET | DDC CLOCK(SCL) |
| PIN 12 | PIN 24 | WHITE | TMDS CLOCK- |
| PIN 11 | PIN 22 | BRAID | TMDS CLOCK SHIELD |
| PIN 10 | PIN 23 | BROWN | TMDS CLOCK+ |
| PIN 9 | PIN 17 | WHITE | TMDS DATA 0- |
| PIN 8 | PIN 19 | BRAID | TMDS DATA 0 SHIELD |
| PIN 7 | PIN 18 | BLUE | TMDS DATA 0+ |
| PIN 6 | PIN 9 | WHITE | TMDS DATA 1- |
| PIN 5 | PIN 11 | BRAID | TMDS DATA 1 SHIELD |
| PIN 4 | PIN 10 | GREEN | TMDS DATA 1+ |
| PIN 3 | PIN 1 | WHITE | TMDS DATA 2- |
| PIN 2 | PIN 3 | BRAID | TMDS DATA 2 SHIELD |
| PIN 1 | PIN 2 | RED | TMDS DATA 2+ |
| HDMI | DVI-D | COLOR | CABLE FUNCTION |

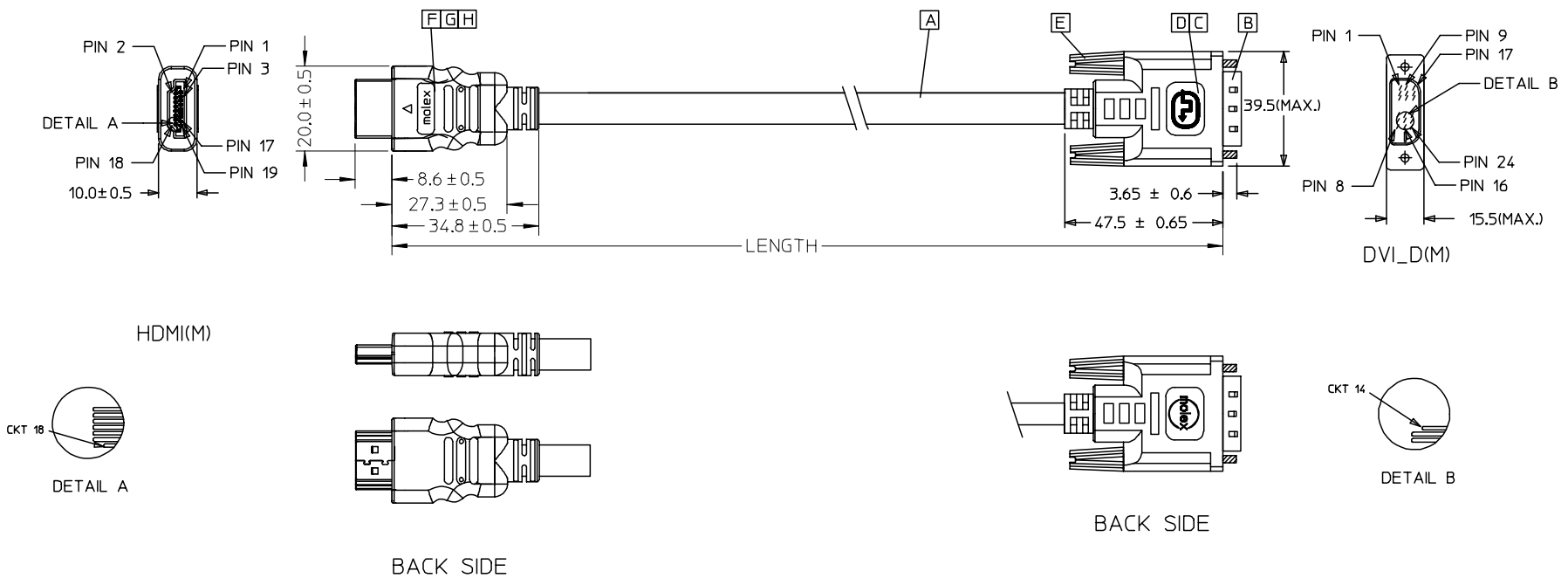
| ITEM | DESCRIPTION | QTY. |
|------|------------------------------------|------|
| G | Metal Shell For HDMI 19P Male | 1 |
| F | HDMI 19P MALE,30U"Au Solder Type | 1 |
| E | DVI THUMB SCREW | 2 |
| D | PCB | 1 |
| C | ONE BODY CAN | 1 |
| B | DVI_D SINGLE CHANNEL G/F CONNECTOR | 1 |
| A | DVI SINGLE LINK CABLE (SEE TABLE) | 1 |

| | | | | | | | | | | | | |
|---|--|--------------------|--|---------------------------------------|------------|----------------------------|---|--------------------|---|------------------------|-------------------------------|---------------------|
| ENTER DESCRIPTION EC NO: DG2011-0441 DRWN:FZHANG01 CHKD:JLILU13 APPR:ZXDENG | 2011/05/04 2011/05/04 2011/05/11 | DESCRIPTION REV | QUALITY SYMBOLS ▽=0 ◻=0 | GENERAL TOLERANCES (UNLESS SPECIFIED) | | DIMENSION STYLE MM ONLY | | SCALE --- | DESIGN UNITS METRIC | THIRD ANGLE PROJECTION | | |
| | | | | | mm | INCH | DRAWN BY FZHANG01 | DATE 2011/05/04 | TITLE HDMI(M) TO DVI-D(M) CABLE ASS'Y | | | |
| | | | | 4 PLACES | ±--- | ±--- | CHECKED BY YHXU | DATE 2011/05/04 | | | | |
| | | | | 3 PLACES | ±--- | ±--- | APPROVED BY ZXDENG | DATE 2011/05/11 | MATERIAL NO. 8876836xx | | DOCUMENT NO. SD-88768-36XX | SHEET NO. 2 OF 2 |
| 2 PLACES | ±--- | ±--- | DRAFT WHERE APPLICABLE MUST REMAIN WITHIN DIMENSIONS | | SIZE A4 | | THIS DRAWING CONTAINS INFORMATION THAT IS PROPRIETARY TO MOLEX INCORPORATED AND SHOULD NOT BE USED WITHOUT WRITTEN PERMISSION | | | | | |
| 1 PLACE | ±--- | ±--- | ANGULAR ±---° | | | | | | | | | |

7 6 5 4 3 2 1

E
D
C
B
A

E
D
C
B
A



| 88768-3630 | HDMI TO DVI-D(M) CABLE ASSY,5M | 5000 ± 100 | BLACK | 5.5MM(TMDS - AWG#30) | 887808273 |
|------------|--------------------------------|------------|-------------|----------------------|-----------|
| 88768-3620 | HDMI TO DVI-D(M) CABLE ASSY,3M | 3000 ± 80 | BLACK | 5.5MM(TMDS - AWG#30) | 887808273 |
| 88768-3610 | HDMI TO DVI-D(M) CABLE ASSY,2M | 2000 ± 60 | BLACK | 5.5MM(TMDS - AWG#30) | 887808273 |
| 88768-3600 | HDMI TO DVI-D(M) CABLE ASSY,1M | 1000 ± 30 | BLACK | 5.5MM(TMDS - AWG#30) | 887808273 |
| MX P/N | DESCRIPTION | LENGTH | CABLE COLOR | CABLE OD | CABLE P/N |

| | | | | | | | | | |
|--|--|-------------------------------|--|------------|-----------------|---|------------|----------------------------|------------------------|
| ENTER DESCRIPTION EC NO: DG2006-0144 DRWN: JFZHENG CHKD: APPR: DQLUO | 2005/12/27 2005/12/30 2006/01/16 | QUALITY SYMBOLS ▽=0 ◻=0 | GENERAL TOLERANCES (UNLESS SPECIFIED) | | DIMENSION STYLE | | SCALE | DESIGN UNITS | THIRD ANGLE PROJECTION |
| | | | | mm | INCH | MM ONLY | --- | METRIC | |
| | | | 4 PLACES | ± --- | ± --- | DRAWN BY | DATE | TITLE | |
| | | | 3 PLACES | ± --- | ± --- | JFZHENG | 2005/12/27 | 30# HDMI TO DVI CABLE ASSY | |
| | | | 2 PLACES | ± --- | ± --- | CHECKED BY | DATE | | |
| 1 PLACE | ± --- | ± --- | JFZHENG | 2005/12/27 | | | | | |
| | | | APPROVED BY | DATE | | | | | |
| | | | DQLUO | 2005/12/27 | | | | | |
| | | | ANGULAR ±1/2° | | MATERIAL NO. | DOCUMENT NO. | SHEET NO. | | |
| | | | DRAFT WHERE APPLICABLE MUST REMAIN WITHIN DIMENSIONS | | 8876836XX | SD-887683600 | 1 OF 2 | | |
| | | | | | SIZE | THIS DRAWING CONTAINS INFORMATION THAT IS PROPRIETARY TO MOLEX INCORPORATED AND SHOULD NOT BE USED WITHOUT WRITTEN PERMISSION | | | |
| | | | | | A 4 | | | | |

6 5 4 3 2 1

OTE:

1. OVMEMOLD SPECIFICATION:
 - 1.1 DVI BOOT MOLDED SNOW WHITE PVC RESIN 887800076E~UL94V-0.
 - 1.2 HDMI INNERMOLD WITH BK PVC 887800019.
HDMI OVERMOLD WITH PVC 887800150.
2. MECHANICAL SPECIFICATION:
 - 2.1 CABLE SHOULD STAND THE PULL FORCE 89-111N FOR 30 SECONDS WITH NO VISIBLE TERMINATION DAMAGE.
 - 2.2 CABLE SHOULD PASS THE FLEX TEST IN 100 CYCLES AT EACH OF PLANES, PER EIA 364-41, CONDITION 1.

3. PRODUCT ELECTRICAL SPECIFICATION
 - 3.1 DIELECTRIC STRENGTH
 - 3.2 INSULATION RESISTANCE.
 - 3.3 CONDUCTIVE RESISTANCE
 - 3.4 TMDS Signals Time Domain Impedence
 - 3.5 TMDS Signals Time Domain Crosstalk:FEXT
 - 3.6 TMDS Signals Skew
 - 3.7 Attenuation

REFER TO ES-002 ELECTRICAL SPECIFICATION FOR DETAILS.

4. CABLE CONSTRUCTION
(AWG#30*1P+D)*4 + AWG#30*1P + AWG#28*3C, 5.5MMOD'
5. DVI CONNECTOR SPECIFICATION
 - 5.1 REFER TO PRODUCT SPEC. PS74320-001
 - 5.2 CONTACT PLATING
6. THIS PRODUCT MUST MEET ROHS COMPLIANCE.

| SHIELD | SHIELD | OVERALL SHIELD | GROUND |
|--------|--------|----------------|--------------------|
| PIN 19 | PIN 16 | WHITE | HOT PLUG DETECT |
| PIN 18 | PIN 14 | YELLOW | POWER +5V |
| PIN 17 | PIN 15 | ORANGE | GROUND(+5V&DDC) |
| PIN 16 | PIN 7 | RED | DDC DATA(SDA) |
| PIN 15 | PIN 6 | VIOLET | DDC CLOCK(SCL) |
| PIN 12 | PIN 24 | WHITE | TMDS CLOCK- |
| PIN 11 | PIN 22 | BRAID | TMDS CLOCK SHIELD |
| PIN 10 | PIN 23 | BROWN | TMDS CLOCK+ |
| PIN 9 | PIN 17 | WHITE | TMDS DATA 0- |
| PIN 8 | PIN 19 | BRAID | TMDS DATA 0 SHIELD |
| PIN 7 | PIN 18 | BLUE | TMDS DATA 0+ |
| PIN 6 | PIN 9 | WHITE | TMDS DATA 1- |
| PIN 5 | PIN 11 | BRAID | TMDS DATA 1 SHIELD |
| PIN 4 | PIN 10 | GREEN | TMDS DATA 1+ |
| PIN 3 | PIN 1 | WHITE | TMDS DATA 2- |
| PIN 2 | PIN 3 | BRAID | TMDS DATA 2 SHIELD |
| PIN 1 | PIN 2 | RED | TMDS DATA 2+ |
| HDMI | DVI-D | COLOR | CABLE FUNCTION |

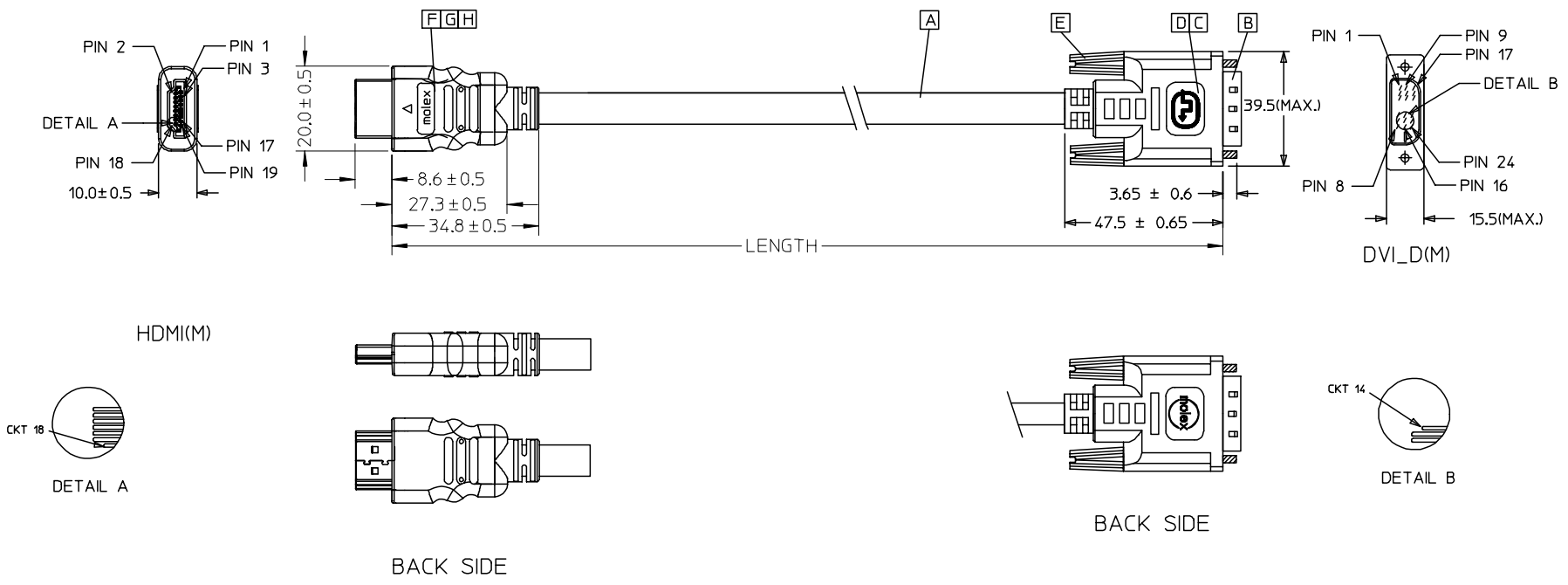
| ITEM | DESCRIPTION | QTY. |
|------|--|------|
| H | SMALL METAL PLATED 47152-6009 | 1 |
| G | HDMI METAL CAN 47152-4001 | 1 |
| F | HDMI HOUSING ASSY' 47152-1100 | 1 |
| E | DVI THUMB SCREW 887806077 | 2 |
| D | PCB 887899569/887899570 | 1 |
| C | ONE BODY CAN 887899396 | 1 |
| B | DVI_D SINGLE CHANNEL G/F CONNECTOR 743230001 | 1 |
| A | DVI SINGLE LINK CABLE (SEE TABLE) | 1 |

| | | | | | | | | | | | |
|--|--|-------------------------------|--|-------|---|------------------------------|---------------------|------------------------|-------------------------------------|--|--|
| ENTER DESCRIPTION EC NO: DG2006-0144 DRWN: JFZHENG CHKD: APPR: DQLUO | 2005/12/27 2005/12/30 2006/01/16 | QUALITY SYMBOLS ▽=0 ▽=5 | GENERAL TOLERANCES (UNLESS SPECIFIED) | | DIMENSION STYLE MM ONLY | | SCALE --- | DESIGN UNITS METRIC | THIRD ANGLE PROJECTION | | |
| | | | | | mm | INCH | DRAWN BY JFZHENG | DATE 2005/12/27 | TITLE 30# HDMI TO DVI CABLE ASSY | | |
| | | | 4 PLACES | ± --- | ± --- | CHECKED BY JFZHENG | DATE 2005/12/27 | | | | |
| | | | 3 PLACES | ± --- | ± --- | APPROVED BY DQLUO | DATE 2005/12/27 | MOLEX INCORPORATED | | | |
| 2 PLACES | ± --- | ± --- | ANGULAR ±1/2° | | MATERIAL NO. 887683600 | DOCUMENT NO. SD-887683600 | SHEET NO. 2 OF 2 | | | | |
| 1 PLACE | ± --- | ± --- | DRAFT WHERE APPLICABLE MUST REMAIN WITHIN DIMENSIONS | | THIS DRAWING CONTAINS INFORMATION THAT IS PROPRIETARY TO MOLEX INCORPORATED AND SHOULD NOT BE USED WITHOUT WRITTEN PERMISSION | | | | | | |

7 6 5 4 3 2 1

E
D
C
B
A

E
D
C
B
A



| 88768-3630 | HDMI TO DVI-D(M) CABLE ASSY,5M | 5000 ± 100 | BLACK | 5.5MM(TMDS - AWG#30) | 887808273 |
|------------|--------------------------------|------------|-------------|----------------------|-----------|
| 88768-3620 | HDMI TO DVI-D(M) CABLE ASSY,3M | 3000 ± 80 | BLACK | 5.5MM(TMDS - AWG#30) | 887808273 |
| 88768-3610 | HDMI TO DVI-D(M) CABLE ASSY,2M | 2000 ± 60 | BLACK | 5.5MM(TMDS - AWG#30) | 887808273 |
| 88768-3600 | HDMI TO DVI-D(M) CABLE ASSY,1M | 1000 ± 30 | BLACK | 5.5MM(TMDS - AWG#30) | 887808273 |
| MX P/N | DESCRIPTION | LENGTH | CABLE COLOR | CABLE OD | CABLE P/N |

| | | | | | | | | | | | | |
|--|--|-------------------------------|---------------------------------------|-------|----------------------------|-----------------------|--------------------|---|------------------------|--|--|--|
| ENTER DESCRIPTION EC NO: DG2006-0144 DRWN: JFZHENG CHKD: APPR: DQLUO | 2005/12/27 2005/12/30 2006/01/16 | QUALITY SYMBOLS ▽=0 ◻=0 | GENERAL TOLERANCES (UNLESS SPECIFIED) | | DIMENSION STYLE MM ONLY | | SCALE --- | DESIGN UNITS METRIC | THIRD ANGLE PROJECTION | | | |
| | | | | mm | INCH | DRAWN BY JFZHENG | DATE 2005/12/27 | TITLE 30# HDMI TO DVI CABLE ASSY | | | | |
| | | | 4 PLACES | ± --- | ± --- | CHECKED BY JFZHENG | DATE 2005/12/27 | MOLEX INCORPORATED MATERIAL NO. 8876836XX DOCUMENT NO. SD-887683610 SHEET NO. 1 OF 2 | | | | |
| | | | 3 PLACES | ± --- | ± --- | APPROVED BY DQLUO | DATE 2005/12/27 | | | | | |
| | | | 2 PLACES | ± --- | ± --- | ANGULAR ±1/2° | | DRAFT WHERE APPLICABLE MUST REMAIN WITHIN DIMENSIONS | | | | |
| 1 PLACE | ± --- | ± --- | | | | | | | | | | |

6 5 4 3 2 1

OTE:

1. OVMROLD SPECIFICATION:

- 1.1 DVI BOOT MOLDED SNOW WHITE PVC RESIN 887800076E~UL94V-0.
- 1.2 HDMI INNERMOLD WITH BK PVC 887800019.
HDMI OVERMOLD WITH PVC 887800150.

2. MECHANICAL SPECIFICATION:

- 2.1 CABLE SHOULD STAND THE PULL FORCE 89-111N FOR 30 SECONDS WITH NO VISIBLE TERMINATION DAMAGE.
- 2.2 CABLE SHOULD PASS THE FLEX TEST IN 100 CYCLES AT EACH OF PLANES, PER EIA 364-41, CONDITION 1.

3. PRODUCT ELECTRICAL SPECIFICATION

- 3.1 DIELECTRIC STRENGTH
- 3.2 INSULATION RESISTANCE.
- 3.3 CONDUCTIVE RESISTANCE
- 3.4 TMDS Signals Time Domain Impedence
- 3.5 TMDS Signals Time Domain Crosstalk:FEXT
- 3.6 TMDS Signals Skew
- 3.7 Attenuation

REFER TO ES-002 ELECTRICAL SPECIFICATION FOR DETAILS.

4.CABLE CONSTRUCTION

(AWG#30*1P+D)*4 + AWG#30*1P + AWG#28*3C, 5.5MMOD'

5. DVI CONNECTOR SPECIFICATION

- 5.1 REFER TO PRODUCT SPEC. PS74320-001
- 5.2 CONTACT PLATING

6. THIS PRODUCT MUST MEET ROHS COMPLIANCE.

| SHIELD | SHIELD | OVERALL SHIELD | GROUND |
|--------|--------|----------------|--------------------|
| PIN 19 | PIN 16 | WHITE | HOT PLUG DETECT |
| PIN 18 | PIN 14 | YELLOW | POWER +5V |
| PIN 17 | PIN 15 | ORANGE | GROUND(+5V&DDC) |
| PIN 16 | PIN 7 | RED | DDC DATA(SDA) |
| PIN 15 | PIN 6 | VIOLET | DDC CLOCK(SCL) |
| PIN 12 | PIN 24 | WHITE | TMDS CLOCK- |
| PIN 11 | PIN 22 | BRAID | TMDS CLOCK SHIELD |
| PIN 10 | PIN 23 | BROWN | TMDS CLOCK+ |
| PIN 9 | PIN 17 | WHITE | TMDS DATA 0- |
| PIN 8 | PIN 19 | BRAID | TMDS DATA 0 SHIELD |
| PIN 7 | PIN 18 | BLUE | TMDS DATA 0+ |
| PIN 6 | PIN 9 | WHITE | TMDS DATA 1- |
| PIN 5 | PIN 11 | BRAID | TMDS DATA 1 SHIELD |
| PIN 4 | PIN 10 | GREEN | TMDS DATA 1+ |
| PIN 3 | PIN 1 | WHITE | TMDS DATA 2- |
| PIN 2 | PIN 3 | BRAID | TMDS DATA 2 SHIELD |
| PIN 1 | PIN 2 | RED | TMDS DATA 2+ |
| HDMI | DVI-D | COLOR | CABLE FUNCTION |

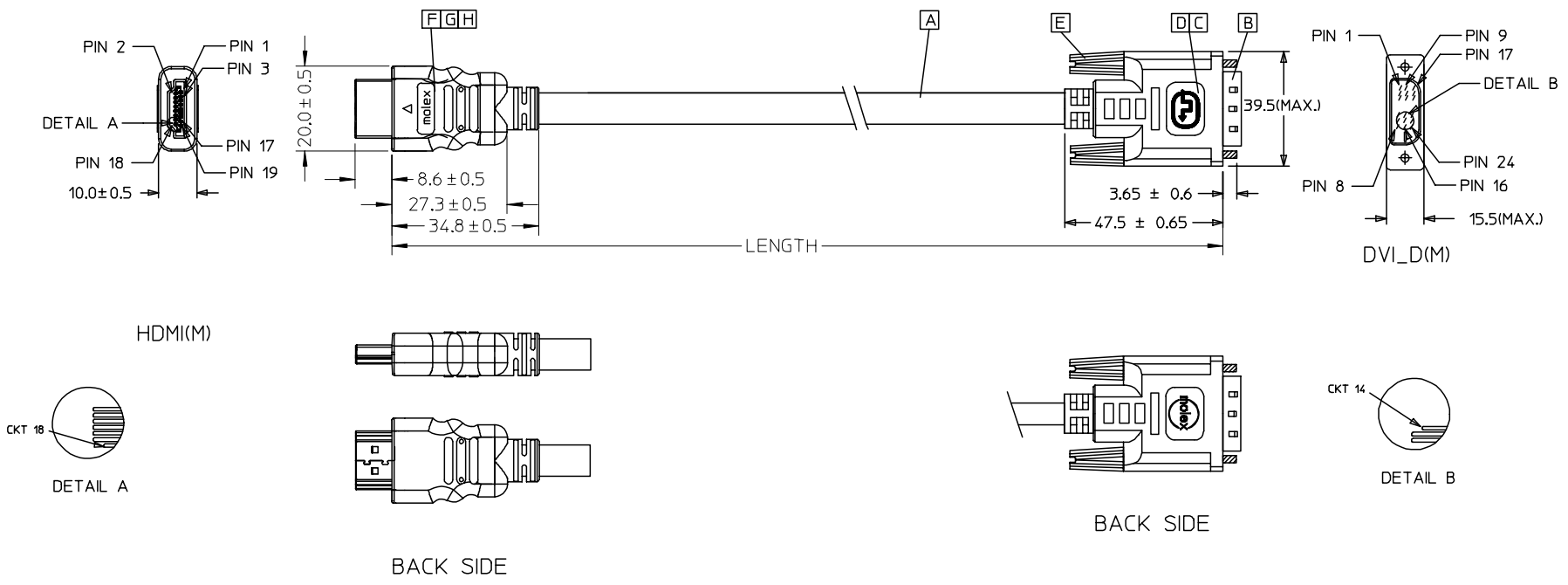
| ITEM | DESCRIPTION | QTY. |
|------|--|------|
| H | SMALL METAL PLATED 47152-6009 | 1 |
| G | HDMI METAL CAN 47152-4001 | 1 |
| F | HDMI HOUSING ASSY' 47152-1100 | 1 |
| E | DVI THUMB SCREW 887806077 | 2 |
| D | PCB 887899569/887899570 | 1 |
| C | ONE BODY CAN 887899396 | 1 |
| B | DVI_D SINGLE CHANNEL G/F CONNECTOR 743230001 | 1 |
| A | DVI SINGLE LINK CABLE (SEE TABLE) | 1 |

| | | | | | | | | | |
|---|-------------------------------|---------------------------------------|--|----------------------------|---|------------------------------|-------------------------------------|------------------------|--|
| ENTER DESCRIPTION EC NO: DG2006-0144 DRWN: JFZHENG CHKD: 2005/12/30 APPR: DQLUO 2005/12/27 2006/01/16 | QUALITY SYMBOLS ▽=0 ▽=5 | GENERAL TOLERANCES (UNLESS SPECIFIED) | | DIMENSION STYLE MM ONLY | | SCALE --- | DESIGN UNITS METRIC | THIRD ANGLE PROJECTION | |
| | | | mm | INCH | DRAWN BY JFZHENG | DATE 2005/12/27 | TITLE 30# HDMI TO DVI CABLE ASSY | | |
| | | 4 PLACES | ±--- | ±--- | CHECKED BY JFZHENG | DATE 2005/12/27 | MOLEX INCORPORATED | | |
| | | 3 PLACES | ±--- | ±--- | APPROVED BY DQLUO | DATE 2005/12/27 | | | |
| 2 PLACES | ±--- | ±--- | ANGULAR ±1/2° | | MATERIAL NO. 887683600 | DOCUMENT NO. SD-887683610 | SHEET NO. 2 OF 2 | | |
| 1 PLACE | ±--- | ±--- | DRAFT WHERE APPLICABLE MUST REMAIN WITHIN DIMENSIONS | | THIS DRAWING CONTAINS INFORMATION THAT IS PROPRIETARY TO MOLEX INCORPORATED AND SHOULD NOT BE USED WITHOUT WRITTEN PERMISSION | | | | |

7 6 5 4 3 2 1

E
D
C
B
A

E
D
C
B
A



| | | | | | |
|------------|---------------------------------|------------|-------------|----------------------|-----------|
| 88768-3630 | HDMI TO DVI-DIM) CABLE ASS'Y,5M | 5000 ± 100 | BLACK | 5.5MMITMDS - AWG#30) | 887808273 |
| 88768-3620 | HDMI TO DVI-DIM) CABLE ASS'Y,3M | 3000 ± 80 | BLACK | 5.5MMITMDS - AWG#30) | 887808273 |
| 88768-3610 | HDMI TO DVI-DIM) CABLE ASS'Y,2M | 2000 ± 60 | BLACK | 5.5MMITMDS - AWG#30) | 887808273 |
| 88768-3600 | HDMI TO DVI-DIM) CABLE ASS'Y,1M | 1000 ± 30 | BLACK | 5.5MMITMDS - AWG#30) | 887808273 |
| MX P/N | DESCRIPTION | LENGTH | CABLE COLOR | CABLE OD | CABLE P/N |

| | | | | | | | | |
|--|-------------------------------|--|--------------|---|------------|------------|----------------------------|------------------------|
| ENTER DESCRIPTION EC NO: DG2006-0144 DRWN: JFZHENG CHKD: JFZHENG APPR: DQLUO | QUALITY SYMBOLS ▽=0 ◻=0 | GENERAL TOLERANCES (UNLESS SPECIFIED) | | DIMENSION STYLE | | SCALE | DESIGN UNITS | THIRD ANGLE PROJECTION |
| | | | mm | INCH | MM ONLY | --- | METRIC | |
| | | 4 PLACES | ± --- | ± --- | DRAWN BY | DATE | TITLE | |
| | | 3 PLACES | ± --- | ± --- | JFZHENG | 2005/12/27 | 30# HDMI TO DVI CABLE ASSY | |
| | | 2 PLACES | ± --- | ± --- | CHECKED BY | DATE | | |
| 1 PLACE | ± --- | ± --- | JFZHENG | 2005/12/27 | | | | |
| | | | APPROVED BY | DATE | | | | |
| | | ANGULAR ±1/2° | DQLUO | 2005/12/27 | | | | |
| | | DRAFT WHERE APPLICABLE MUST REMAIN WITHIN DIMENSIONS | MATERIAL NO. | DOCUMENT NO. | SHEET NO. | | | |
| | | | 8876836XX | SD-887683620 | 1 OF 2 | | | |
| | | | SIZE | THIS DRAWING CONTAINS INFORMATION THAT IS PROPRIETARY TO MOLEX INCORPORATED AND SHOULD NOT BE USED WITHOUT WRITTEN PERMISSION | | | | |
| | | | A/4 | | | | | |

6 5 4 3 2 1

OTE:

1. OVMEMOLD SPECIFICATION:

- 1.1 DVI BOOT MOLDED SNOW WHITE PVC RESIN 887800076E~UL94V-0.
- 1.2 HDMI INNERMOLD WITH BK PVC 887800019.
HDMI OVERMOLD WITH PVC 887800150.

2. MECHANICAL SPECIFICATION:

- 2.1 CABLE SHOULD STAND THE PULL FORCE 89-111N FOR 30 SECONDS WITH NO VISIBLE TERMINATION DAMAGE.
- 2.2 CABLE SHOULD PASS THE FLEX TEST IN 100 CYCLES AT EACH OF PLANES, PER EIA 364-41, CONDITION 1.

3. PRODUCT ELECTRICAL SPECIFICATION

- 3.1 DIELECTRIC STRENGTH
- 3.2 INSULATION RESISTANCE.
- 3.3 CONDUCTIVE RESISTANCE
- 3.4 TMDS Signals Time Domain Impedence
- 3.5 TMDS Signals Time Domain Crosstalk:FEXT
- 3.6 TMDS Signals Skew
- 3.7 Attenuation

REFER TO ES-002 ELECTRICAL SPECIFICATION FOR DETAILS.

4.CABLE CONSTRUCTION

(AWG#30*1P+D)*4 + AWG#30*1P + AWG#28*3C, 5.5MMOD'

5. DVI CONNECTOR SPECIFICATION

- 5.1 REFER TO PRODUCT SPEC. PS74320-001
- 5.2 CONTACT PLATING

6. THIS PRODUCT MUST MEET ROHS COMPLIANCE.

| SHIELD | SHIELD | OVERALL SHIELD | GROUND |
|--------|--------|----------------|--------------------|
| PIN 19 | PIN 16 | WHITE | HOT PLUG DETECT |
| PIN 18 | PIN 14 | YELLOW | POWER +5V |
| PIN 17 | PIN 15 | ORANGE | GROUND(+5V&DDC) |
| PIN 16 | PIN 7 | RED | DDC DATA(SDA) |
| PIN 15 | PIN 6 | VIOLET | DDC CLOCK(SCL) |
| PIN 12 | PIN 24 | WHITE | TMDS CLOCK- |
| PIN 11 | PIN 22 | BRAID | TMDS CLOCK SHIELD |
| PIN 10 | PIN 23 | BROWN | TMDS CLOCK+ |
| PIN 9 | PIN 17 | WHITE | TMDS DATA 0- |
| PIN 8 | PIN 19 | BRAID | TMDS DATA 0 SHIELD |
| PIN 7 | PIN 18 | BLUE | TMDS DATA 0+ |
| PIN 6 | PIN 9 | WHITE | TMDS DATA 1- |
| PIN 5 | PIN 11 | BRAID | TMDS DATA 1 SHIELD |
| PIN 4 | PIN 10 | GREEN | TMDS DATA 1+ |
| PIN 3 | PIN 1 | WHITE | TMDS DATA 2- |
| PIN 2 | PIN 3 | BRAID | TMDS DATA 2 SHIELD |
| PIN 1 | PIN 2 | RED | TMDS DATA 2+ |
| HDMI | DVI-D | COLOR | CABLE FUNCTION |

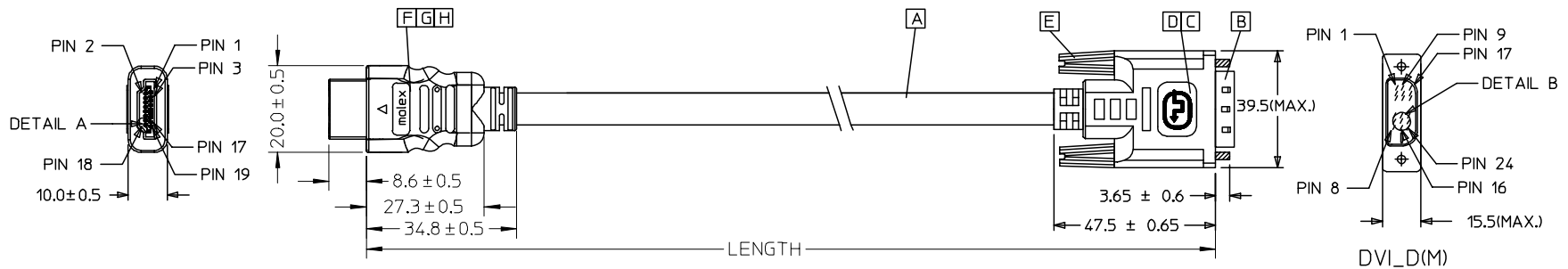
| ITEM | DESCRIPTION | QTY. |
|------|--|------|
| H | SMALL METAL PLATED 47152-6009 | 1 |
| G | HDMI METAL CAN 47152-4001 | 1 |
| F | HDMI HOUSING ASSY' 47152-1100 | 1 |
| E | DVI THUMB SCREW 887806077 | 2 |
| D | PCB 887899569/887899570 | 1 |
| C | ONE BODY CAN 887899396 | 1 |
| B | DVI_D SINGLE CHANNEL G/F CONNECTOR 743230001 | 1 |
| A | DVI SINGLE LINK CABLE (SEE TABLE) | 1 |

| | | | | | | | | | |
|---|-------------------------------|---------------------------------------|--|----------------------------|---|------------------------------|-------------------------------------|------------------------|--|
| ENTER DESCRIPTION EC NO: DG2006-0144 DRWN: JFZHENG CHKD: 2005/12/30 APPR: DQLUO 2006/01/16 | QUALITY SYMBOLS ▽=0 ▽=5 | GENERAL TOLERANCES (UNLESS SPECIFIED) | | DIMENSION STYLE MM ONLY | | SCALE --- | DESIGN UNITS METRIC | THIRD ANGLE PROJECTION | |
| | | | mm | INCH | DRAWN BY JFZHENG | DATE 2005/12/27 | TITLE 30# HDMI TO DVI CABLE ASSY | | |
| | | 4 PLACES | ±--- | ±--- | CHECKED BY JFZHENG | DATE 2005/12/27 | APPROVED BY DQLUO | | |
| | | 3 PLACES | ±--- | ±--- | DATE 2005/12/27 | | MOLEX INCORPORATED | | |
| 2 PLACES | ±--- | ±--- | ANGULAR ±1/2° | | MATERIAL NO. 887683600 | DOCUMENT NO. SD-887683620 | SHEET NO. 2 OF 2 | | |
| 1 PLACE | ±--- | ±--- | DRAFT WHERE APPLICABLE MUST REMAIN WITHIN DIMENSIONS | | THIS DRAWING CONTAINS INFORMATION THAT IS PROPRIETARY TO MOLEX INCORPORATED AND SHOULD NOT BE USED WITHOUT WRITTEN PERMISSION | | | | |

7 6 5 4 3 2 1

E

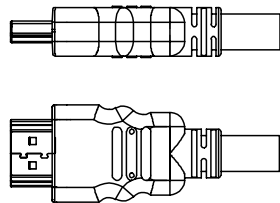
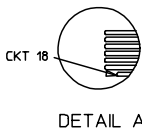
E



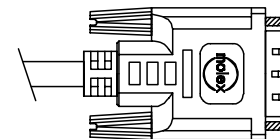
D

D

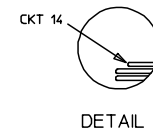
HDMI(M)



BACK SIDE



BACK SIDE



DETAIL B

C

C

B

B

| 88768-3630 | HDMI TO DVI-D(M) CABLE ASSY,5M | 5000 ± 100 | BLACK | 5.5MM(TMDS - AWG#30) | 887808273 |
|------------|--------------------------------|------------|-------------|----------------------|-----------|
| 88768-3620 | HDMI TO DVI-D(M) CABLE ASSY,3M | 3000 ± 80 | BLACK | 5.5MM(TMDS - AWG#30) | 887808273 |
| 88768-3610 | HDMI TO DVI-D(M) CABLE ASSY,2M | 2000 ± 60 | BLACK | 5.5MM(TMDS - AWG#30) | 887808273 |
| 88768-3600 | HDMI TO DVI-D(M) CABLE ASSY,1M | 1000 ± 30 | BLACK | 5.5MM(TMDS - AWG#30) | 887808273 |
| MX P/N | DESCRIPTION | LENGTH | CABLE COLOR | CABLE OD | CABLE P/N |

A

A

| | | | | | | | | | |
|--|-------------------------------|---------------------------------------|------------|-----------------|---|--------------------|----------------------------|------------------------|--------|
| ENTER DESCRIPTION EC NO: DG2006-0144 DRWN: JFZHENG CHKD: APPR: DQLUO | QUALITY SYMBOLS ▽=0 ▽=0 | GENERAL TOLERANCES (UNLESS SPECIFIED) | | DIMENSION STYLE | | SCALE | DESIGN UNITS | THIRD ANGLE PROJECTION | |
| | | | mm | INCH | MM ONLY | | --- | | METRIC |
| | | 4 PLACES | ± --- | ± --- | DRAWN BY | DATE | TITLE | | |
| | | 3 PLACES | ± --- | ± --- | JFZHENG | 2005/12/27 | 30# HDMI TO DVI CABLE ASSY | | |
| 2 PLACES | ± --- | ± --- | CHECKED BY | DATE | | | | | |
| 1 PLACE | ± --- | ± --- | JFZHENG | 2005/12/27 | | | | | |
| ANGULAR ±1/2° | | | | APPROVED BY | DATE | MOLEX INCORPORATED | | | |
| | | | | DQLUO | 2005/12/27 | | | | |
| DRAFT WHERE APPLICABLE MUST REMAIN WITHIN DIMENSIONS | | | | MATERIAL NO. | DOCUMENT NO. | SHEET NO. | | | |
| | | | | 8876836XX | SD-887683630 | 1 OF 2 | | | |
| | | | | SIZE | THIS DRAWING CONTAINS INFORMATION THAT IS PROPRIETARY TO MOLEX INCORPORATED AND SHOULD NOT BE USED WITHOUT WRITTEN PERMISSION | | | | |
| | | | | A/4 | | | | | |

6

5

4

3

2

1

OTE:

1. OVMROLD SPECIFICATION:

- 1.1 DVI BOOT MOLDED SNOW WHITE PVC RESIN 887800076E~UL94V-0.
- 1.2 HDMI INNERMOLD WITH BK PVC 887800019.
HDMI OVERMOLD WITH PVC 887800150.

2. MECHANICAL SPECIFICATION:

- 2.1 CABLE SHOULD STAND THE PULL FORCE 89-111N FOR 30 SECONDS WITH NO VISIBLE TERMINATION DAMAGE.
- 2.2 CABLE SHOULD PASS THE FLEX TEST IN 100 CYCLES AT EACH OF PLANES, PER EIA 364-41, CONDITION 1.

3. PRODUCT ELECTRICAL SPECIFICATION

- 3.1 DIELECTRIC STRENGTH
- 3.2 INSULATION RESISTANCE.
- 3.3 CONDUCTIVE RESISTANCE
- 3.4 TMDS Signals Time Domain Impedence
- 3.5 TMDS Signals Time Domain Crosstalk:FEXT
- 3.6 TMDS Signals Skew
- 3.7 Attenuation

REFER TO ES-002 ELECTRICAL SPECIFICATION FOR DETAILS.

4.CABLE CONSTRUCTION

(AWG#30*1P+D)*4 + AWG#30*1P + AWG#28*3C, 5.5MMOD'

5. DVI CONNECTOR SPECIFICATION

- 5.1 REFER TO PRODUCT SPEC. PS74320-001
- 5.2 CONTACT PLATING

6. THIS PRODUCT MUST MEET ROHS COMPLIANCE.

| SHIELD | SHIELD | OVERALL SHIELD | GROUND |
|--------|--------|----------------|--------------------|
| PIN 19 | PIN 16 | WHITE | HOT PLUG DETECT |
| PIN 18 | PIN 14 | YELLOW | POWER +5V |
| PIN 17 | PIN 15 | ORANGE | GROUND(+5V&DDC) |
| PIN 16 | PIN 7 | RED | DDC DATA(SDA) |
| PIN 15 | PIN 6 | VIOLET | DDC CLOCK(SCL) |
| PIN 12 | PIN 24 | WHITE | TMDS CLOCK- |
| PIN 11 | PIN 22 | BRAID | TMDS CLOCK SHIELD |
| PIN 10 | PIN 23 | BROWN | TMDS CLOCK+ |
| PIN 9 | PIN 17 | WHITE | TMDS DATA 0- |
| PIN 8 | PIN 19 | BRAID | TMDS DATA 0 SHIELD |
| PIN 7 | PIN 18 | BLUE | TMDS DATA 0+ |
| PIN 6 | PIN 9 | WHITE | TMDS DATA 1- |
| PIN 5 | PIN 11 | BRAID | TMDS DATA 1 SHIELD |
| PIN 4 | PIN 10 | GREEN | TMDS DATA 1+ |
| PIN 3 | PIN 1 | WHITE | TMDS DATA 2- |
| PIN 2 | PIN 3 | BRAID | TMDS DATA 2 SHIELD |
| PIN 1 | PIN 2 | RED | TMDS DATA 2+ |
| HDMI | DVI-D | COLOR | CABLE FUNCTION |

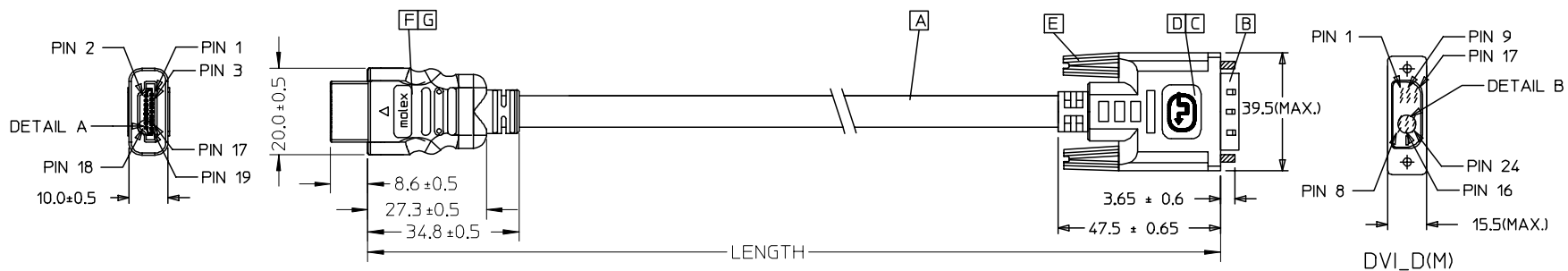
| ITEM | DESCRIPTION | QTY. |
|------|--|------|
| H | SMALL METAL PLATED 47152-6009 | 1 |
| G | HDMI METAL CAN 47152-4001 | 1 |
| F | HDMI HOUSING ASSY' 47152-1100 | 1 |
| E | DVI THUMB SCREW 887806077 | 2 |
| D | PCB 887899569/887899570 | 1 |
| C | ONE BODY CAN 887899396 | 1 |
| B | DVI_D SINGLE CHANNEL G/F CONNECTOR 743230001 | 1 |
| A | DVI SINGLE LINK CABLE (SEE TABLE) | 1 |

| | | | | | | | | | |
|---|-------------------------------|---------------------------------------|--|----------------------------|---|------------------------------|-------------------------------------|------------------------|--|
| ENTER DESCRIPTION EC NO: DG2006-0144 DRWN: JFZHENG CHKD: 2005/12/30 APPR: DQLUO 2005/12/27 2006/01/16 | QUALITY SYMBOLS ▽=0 ▽=5 | GENERAL TOLERANCES (UNLESS SPECIFIED) | | DIMENSION STYLE MM ONLY | | SCALE --- | DESIGN UNITS METRIC | THIRD ANGLE PROJECTION | |
| | | | mm | INCH | DRAWN BY JFZHENG | DATE 2005/12/27 | TITLE 30# HDMI TO DVI CABLE ASSY | | |
| | | 4 PLACES | ±--- | ±--- | CHECKED BY JFZHENG | DATE 2005/12/27 | | | |
| | | 3 PLACES | ±--- | ±--- | APPROVED BY DQLUO | DATE 2005/12/27 | MOLEX INCORPORATED | | |
| 2 PLACES | ±--- | ±--- | ANGULAR ±1/2° | | MATERIAL NO. 887683600 | DOCUMENT NO. SD-887683630 | SHEET NO. 2 OF 2 | | |
| 1 PLACE | ±--- | ±--- | DRAFT WHERE APPLICABLE MUST REMAIN WITHIN DIMENSIONS | | THIS DRAWING CONTAINS INFORMATION THAT IS PROPRIETARY TO MOLEX INCORPORATED AND SHOULD NOT BE USED WITHOUT WRITTEN PERMISSION | | | | |

7 6 5 4 3 2 1

E

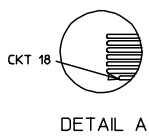
E



D

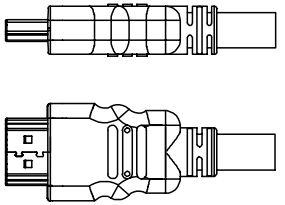
D

HDMI(M)

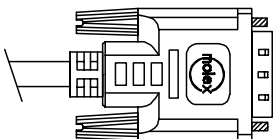


DETAIL A

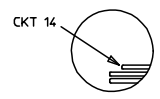
— WEEK CODE



BACK SIDE



BACK SIDE



DETAIL B

B

B

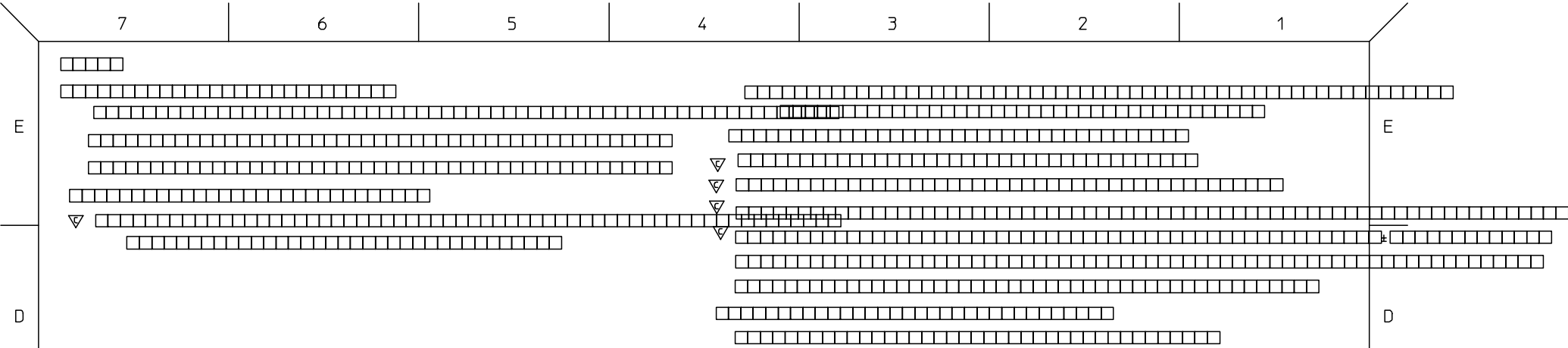
| | | | | | |
|------------|---------------------------------|------------|-------------|----------------------|-----------|
| 88768-3630 | HDMI TO DVI-DIM) CABLE ASS'Y,5M | 5000 ± 100 | BLACK | 5.5MM(TMDS - AWG#30) | 887808273 |
| 88768-3620 | HDMI TO DVI-DIM) CABLE ASS'Y,3M | 3000 ± 80 | BLACK | 5.5MM(TMDS - AWG#30) | 887808273 |
| 88768-3610 | HDMI TO DVI-DIM) CABLE ASS'Y,2M | 2000 ± 60 | BLACK | 5.5MM(TMDS - AWG#30) | 887808273 |
| 88768-3600 | HDMI TO DVI-DIM) CABLE ASS'Y,1M | 1000 ± 30 | BLACK | 5.5MM(TMDS - AWG#30) | 887808273 |
| MX P/N | DESCRIPTION | LENGTH | CABLE COLOR | CABLE OD | CABLE P/N |

A

A

| | | | | | | | | | | |
|---|-------------------------------|---------------------------------------|-------------|---|--------------------------|--------------|--------------------------------|------------------------|--|--|
| ENTER DESCRIPTION EC NO: DG2005-0094 DRWN: JLIU13 2005/01/18 CHKD: TEDDY 2005/01/18 APPR: TKAN 2005/01/20 | QUALITY SYMBOLS ▽=0 ◻=0 | GENERAL TOLERANCES (UNLESS SPECIFIED) | | DIMENSION STYLE MM ONLY | | SCALE --- | DESIGN UNITS METRIC | THIRD ANGLE PROJECTION | | |
| | | | mm | INCH | DRAWN BY | DATE | #30 HDMI TO DVI 1M CABLE ASS'Y | | | |
| | | 4 PLACES | ± --- | ± --- | JLIU13 | 2005/01/18 | | | | |
| | | 3 PLACES | ± --- | ± --- | CHECKED BY | DATE | | | | |
| 2 PLACES | ± --- | ± --- | TEDDY | 2005/01/18 | | | | | | |
| 1 PLACE | ± --- | ± --- | APPROVED BY | DATE | MOLEX MOLEX INCORPORATED | | | | | |
| ANGULAR ± ---° | | BORON | | 2005/01/18 | | | | | | |
| DRAFT WHERE APPLICABLE MUST REMAIN WITHIN DIMENSIONS | | MATERIAL NO. | | DOCUMENT NO. | | SHEET NO. | | | | |
| | | 887683600 | | SD887683600 | | 1 OF 2 | | | | |
| | | SIZE A/4 | | THIS DRAWING CONTAINS INFORMATION THAT IS PROPRIETARY TO MOLEX INCORPORATED AND SHOULD NOT BE USED WITHOUT WRITTEN PERMISSION | | | | | | |

6 5 4 3 2 1



| SHIELD | SHIELD | OVERALL SHIELD | GROUND |
|--------|--------|----------------|--------------------|
| PIN 19 | PIN 16 | WHITE | HOT PLUG DETECT |
| PIN 18 | PIN 14 | YELLOW | POWER +5V |
| PIN 17 | PIN 15 | ORANGE | GROUND(+5V&DDC) |
| PIN 16 | PIN 7 | RED | DDC DATA(SDA) |
| PIN 15 | PIN 6 | VIOLET | DDC CLOCK(SCL) |
| PIN 12 | PIN 24 | WHITE | TMDS CLOCK- |
| PIN 11 | PIN 22 | BRAID | TMDS CLOCK SHIELD |
| PIN 10 | PIN 23 | BROWN | TMDS CLOCK+ |
| PIN 9 | PIN 17 | WHITE | TMDS DATA 0- |
| PIN 8 | PIN 19 | BRAID | TMDS DATA 0 SHIELD |
| PIN 7 | PIN 18 | BLUE | TMDS DATA 0+ |
| PIN 6 | PIN 9 | WHITE | TMDS DATA 1- |
| PIN 5 | PIN 11 | BRAID | TMDS DATA 1 SHIELD |
| PIN 4 | PIN 10 | GREEN | TMDS DATA 1+ |
| PIN 3 | PIN 1 | WHITE | TMDS DATA 2- |
| PIN 2 | PIN 3 | BRAID | TMDS DATA 2 SHIELD |
| PIN 1 | PIN 2 | RED | TMDS DATA 2+ |
| HDMI | DVI-D | COLOR | CABLE FUNCTION |

| G | HDMI METAL CAN 5011840018 | 1 |
|------|--|------|
| F | HDMI HOUSING ASSY' 5011850001 | 1 |
| E | DVI THUMB SCREW 887806077 | 2 |
| D | PCB 887899569/887899570 | 1 |
| C | ONE BODY CAN 887899396 | 1 |
| B | DVI-D SINGLE CHANNEL G/F CONNECTOR 743230001 | 1 |
| A | DVI SINGLE LINK CABLE (SEE TABLE) | 1 |
| ITEM | DESCRIPTION | QTY. |

| ENTER DESCRIPTION EC NO: DG2005-0094 DRWN: JLIU13 CHKD: TEDDY APPR: TKAN 2005/01/18 2005/01/18 2005/01/20 | QUALITY SYMBOLS ▽=0 ▽=5 | GENERAL TOLERANCES (UNLESS SPECIFIED) | | DIMENSION STYLE MM ONLY | | SCALE --- | | DESIGN UNITS METRIC | | THIRD ANGLE PROJECTION | | | | | | | | | | | | | | | | | | | | | | | | | | | | | | | |
|--|-------------------------------|---|------|----------------------------|----|--|----------|------------------------|------|------------------------|------|------|----------|------|------|---------|------|------|---|--|----------|------|-------|--------|------------|-----------------------------------|------------|------|-------|------------|-------------|------|-------|------------|--------------------|---------------------------|--|-----------------------------|--|---------------------|--|
| | | <table border="1"> <thead> <tr> <th></th> <th>mm</th> <th>INCH</th> </tr> </thead> <tbody> <tr> <td>4 PLACES</td> <td>±---</td> <td>±---</td> </tr> <tr> <td>3 PLACES</td> <td>±---</td> <td>±---</td> </tr> <tr> <td>2 PLACES</td> <td>±---</td> <td>±---</td> </tr> <tr> <td>1 PLACE</td> <td>±---</td> <td>±---</td> </tr> </tbody> </table> | | | mm | INCH | 4 PLACES | ±--- | ±--- | 3 PLACES | ±--- | ±--- | 2 PLACES | ±--- | ±--- | 1 PLACE | ±--- | ±--- | <table border="1"> <thead> <tr> <th>DRAWN BY</th> <th>DATE</th> <th>TITLE</th> </tr> </thead> <tbody> <tr> <td>JLIU13</td> <td>2005/01/18</td> <td rowspan="4"> #30 HDMI TO DVI 1M CABLE ASS'Y </td> </tr> <tr> <th>CHECKED BY</th> <th>DATE</th> </tr> <tr> <td>TEDDY</td> <td>2005/01/18</td> </tr> <tr> <th>APPROVED BY</th> <th>DATE</th> </tr> <tr> <td>BORON</td> <td>2005/01/18</td> <td> MOLEX INCORPORATED </td> </tr> </tbody> </table> | | DRAWN BY | DATE | TITLE | JLIU13 | 2005/01/18 | #30 HDMI TO DVI 1M CABLE ASS'Y | CHECKED BY | DATE | TEDDY | 2005/01/18 | APPROVED BY | DATE | BORON | 2005/01/18 | MOLEX INCORPORATED | MATERIAL NO. 887683600 | | DOCUMENT NO. SD887683600 | | SHEET NO. 2 OF 2 | |
| | | | mm | INCH | | | | | | | | | | | | | | | | | | | | | | | | | | | | | | | | | | | | | |
| | | 4 PLACES | ±--- | ±--- | | | | | | | | | | | | | | | | | | | | | | | | | | | | | | | | | | | | | |
| 3 PLACES | ±--- | ±--- | | | | | | | | | | | | | | | | | | | | | | | | | | | | | | | | | | | | | | | |
| 2 PLACES | ±--- | ±--- | | | | | | | | | | | | | | | | | | | | | | | | | | | | | | | | | | | | | | | |
| 1 PLACE | ±--- | ±--- | | | | | | | | | | | | | | | | | | | | | | | | | | | | | | | | | | | | | | | |
| DRAWN BY | DATE | TITLE | | | | | | | | | | | | | | | | | | | | | | | | | | | | | | | | | | | | | | | |
| JLIU13 | 2005/01/18 | #30 HDMI TO DVI 1M CABLE ASS'Y | | | | | | | | | | | | | | | | | | | | | | | | | | | | | | | | | | | | | | | |
| CHECKED BY | DATE | | | | | | | | | | | | | | | | | | | | | | | | | | | | | | | | | | | | | | | | |
| TEDDY | 2005/01/18 | | | | | | | | | | | | | | | | | | | | | | | | | | | | | | | | | | | | | | | | |
| APPROVED BY | DATE | | | | | | | | | | | | | | | | | | | | | | | | | | | | | | | | | | | | | | | | |
| BORON | 2005/01/18 | MOLEX INCORPORATED | | | | | | | | | | | | | | | | | | | | | | | | | | | | | | | | | | | | | | | |
| DRAFT WHERE APPLICABLE MUST REMAIN WITHIN DIMENSIONS | | | | SIZE A4 | | THIS DRAWING CONTAINS INFORMATION THAT IS PROPRIETARY TO MOLEX INCORPORATED AND SHOULD NOT BE USED WITHOUT WRITTEN PERMISSION | | | | | | | | | | | | | | | | | | | | | | | | | | | | | | | | | | | |