



Chipsmall Limited consists of a professional team with an average of over 10 year of expertise in the distribution of electronic components. Based in Hongkong, we have already established firm and mutual-benefit business relationships with customers from,Europe,America and south Asia,supplying obsolete and hard-to-find components to meet their specific needs.

With the principle of “Quality Parts,Customers Priority,Honest Operation,and Considerate Service”,our business mainly focus on the distribution of electronic components. Line cards we deal with include Microchip,ALPS,ROHM,Xilinx,Pulse,ON,Everlight and Freescale. Main products comprise IC,Modules,Potentiometer,IC Socket,Relay,Connector.Our parts cover such applications as commercial,industrial, and automotives areas.

We are looking forward to setting up business relationship with you and hope to provide you with the best service and solution. Let us make a better world for our industry!



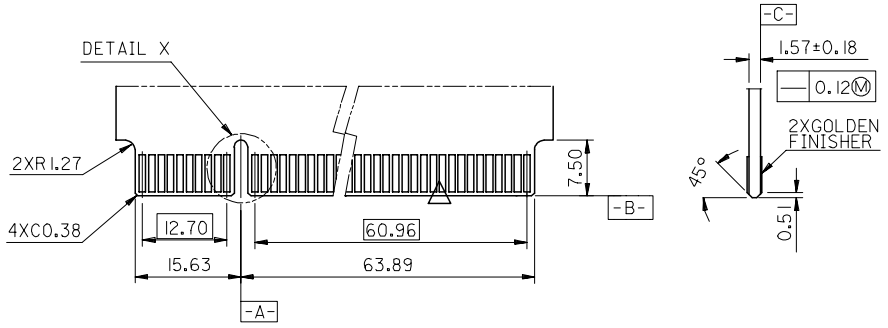
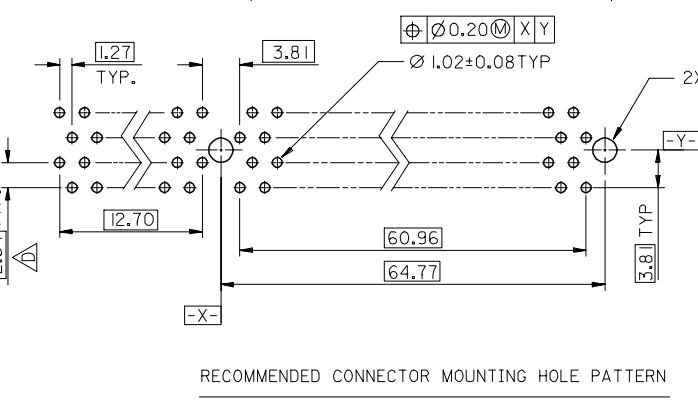
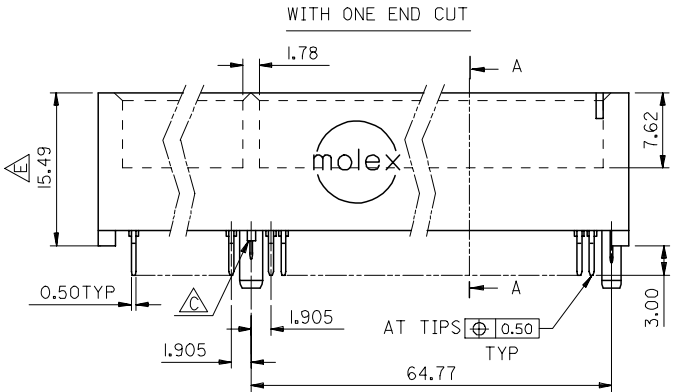
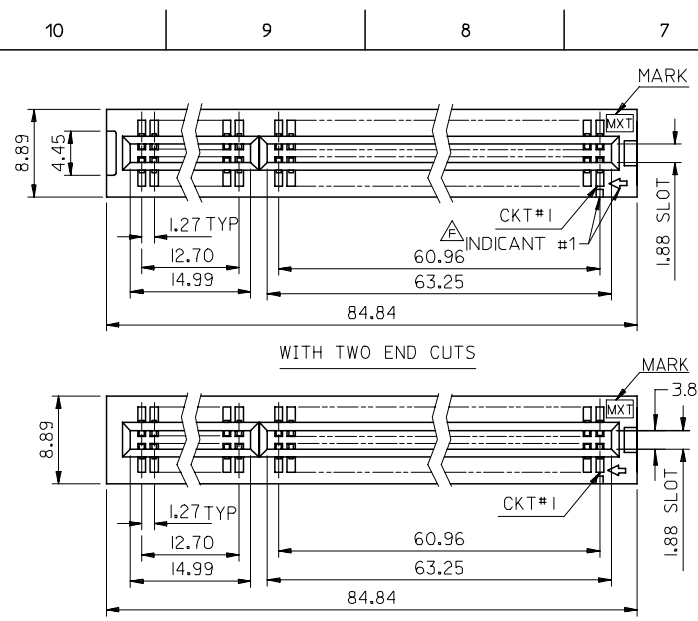
Contact us

Tel: +86-755-8981 8866 Fax: +86-755-8427 6832

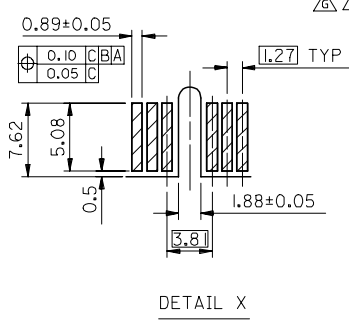
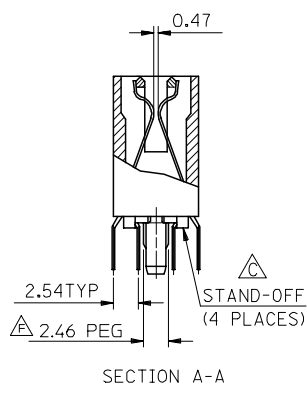
Email & Skype: info@chipsmall.com Web: www.chipsmall.com

Address: A1208, Overseas Decoration Building, #122 Zhenhua RD., Futian, Shenzhen, China





- NOTES :
- MATERIAL :
 - HOUSING : PPS
 - TERMINAL : PHOSPHOR BRONZE.
 - FINISH 0 : GOLD FLASH IN CONTACT AREA.
 - 152 MICROMETER / 60 MICRONCH MN. MAT TN IN SOLDER TAL.
 - BOTH OVER 0.76 MICROMETER / 30 MICRONCH MN. NICKEL OVERALL.
 - 1 : 0.25 MICROMETER / 10 MICRONCH GOLD IN CONTACT AREA.
 - 152 MICROMETER / 60 MICRONCH MN. MAT TN IN SOLDER TAL.
 - BOTH OVER 0.76 MICROMETER / 30 MICRONCH MN. NICKEL OVERALL.
 - 2 : 0.38 MICROMETER / 15 MICRONCH GOLD IN CONTACT AREA.
 - 152 MICROMETER / 60 MICRONCH MN. MAT TN IN SOLDER TAL.
 - BOTH OVER 0.76 MICROMETER / 30 MICRONCH MN. NICKEL OVERALL.
 - 3 : 0.76 MICROMETER / 30 MICRONCH GOLD IN CONTACT AREA.
 - 152 MICROMETER / 60 MICRONCH MN. MAT TN IN SOLDER TAL.
 - BOTH OVER 0.76 MICROMETER / 30 MICRONCH MN. NICKEL OVERALL.
 - 4 : 0.50 MICROMETER / 20 MICRONCH GOLD IN CONTACT AREA.
 - 152 MICROMETER / 60 MICRONCH MN. MAT TN IN SOLDER TAL.
 - BOTH OVER 0.76 MICROMETER / 30 MICRONCH MN. NICKEL OVERALL.



- PART NO. LEGEND : 89177 - 6 0 **
- | PEG VERSION & COLOR | PLATING VERSION |
|---|-----------------|
| 0 : STANDARD ; BROWN ,WITH ONE END CUT | 0 |
| 1 : STANDARD ; WHITE ,WITH ONE END CUT | 1 |
| 2 : STANDARD ; BROWN ,WITH TWO END CUTS | 2 |
| 3 : STANDARD ; WHITE ,WITH TWO END CUTS | 3 |
| | 4 |

EWR 2006-0035 EC NO: SH2006-0520 DRWN:ALLIN 2006/06/26 CHKD: 2006/06/27 APPR:WMSCHANG 2006/06/30	QUALITY SYMBOLS ▽=0 ▽=0	GENERAL TOLERANCES (UNLESS SPECIFIED)		DIMENSION STYLE MM ONLY		SCALE	DESIGN UNITS METRIC	THIRD ANGLE PROJECTION																	
		<table border="1"> <thead> <tr> <th></th> <th>mm</th> <th>INCH</th> </tr> </thead> <tbody> <tr> <td>4 PLACES</td> <td>± ---</td> <td>± ---</td> </tr> <tr> <td>3 PLACES</td> <td>± ---</td> <td>± ---</td> </tr> <tr> <td>2 PLACES</td> <td>± 0.25</td> <td>± ---</td> </tr> <tr> <td>1 PLACE</td> <td>± 0.25</td> <td>± ---</td> </tr> </tbody> </table>			mm	INCH	4 PLACES	± ---	± ---	3 PLACES	± ---	± ---	2 PLACES	± 0.25	± ---	1 PLACE	± 0.25	± ---	DRAWN BY DATE TED CHEN 1996/09/17		TITLE	1.27 EDGE CARD CONN. (120CKT)			
			mm	INCH																					
		4 PLACES	± ---	± ---																					
3 PLACES	± ---	± ---																							
2 PLACES	± 0.25	± ---																							
1 PLACE	± 0.25	± ---																							
DRAFT WHERE APPLICABLE MUST REMAIN WITHIN DIMENSIONS		APPROVED BY DATE WILSON CHANG 1996/09/17		MEGA LIN 1996/09/17		MOLEX INCORPORATED		SHEET NO. 1 OF 1																	
		MATERIAL NO.		DOCUMENT NO.		SDA-89177-60**																			