



Chipsmall Limited consists of a professional team with an average of over 10 year of expertise in the distribution of electronic components. Based in Hongkong, we have already established firm and mutual-benefit business relationships with customers from,Europe,America and south Asia,supplying obsolete and hard-to-find components to meet their specific needs.

With the principle of "Quality Parts,Customers Priority,Honest Operation,and Considerate Service",our business mainly focus on the distribution of electronic components. Line cards we deal with include Microchip,ALPS,ROHM,Xilinx,Pulse,ON,Everlight and Freescale. Main products comprise IC,Modules,Potentiometer,IC Socket,Relay,Connector.Our parts cover such applications as commercial,industrial, and automotives areas.

We are looking forward to setting up business relationship with you and hope to provide you with the best service and solution. Let us make a better world for our industry!



Contact us

Tel: +86-755-8981 8866 Fax: +86-755-8427 6832

Email & Skype: info@chipsmall.com Web: www.chipsmall.com

Address: A1208, Overseas Decoration Building, #122 Zhenhua RD., Futian, Shenzhen, China



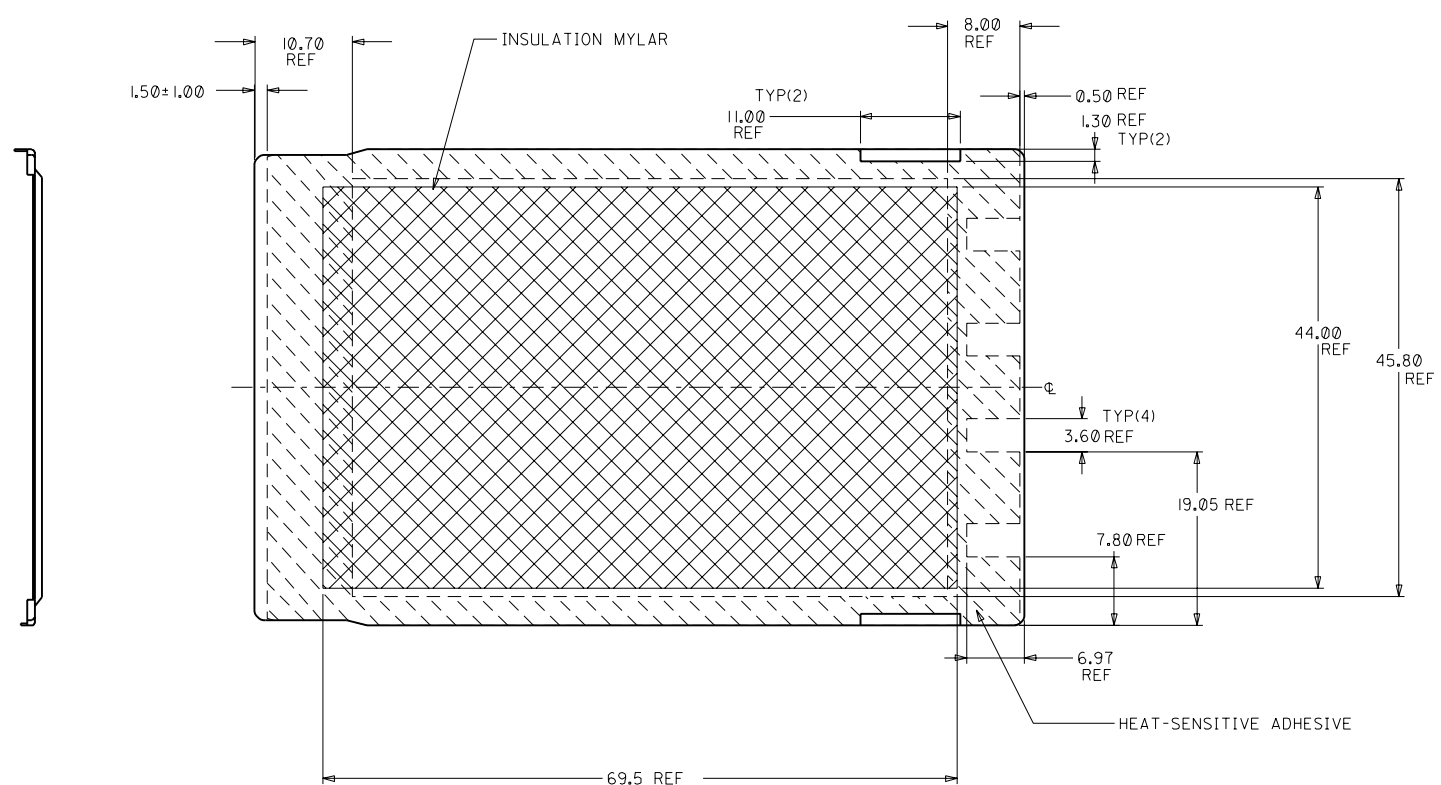
8 7 6 5 4 3 2 1

ENG. NO SDE-89436-00**

EDP NO.

SIMILAR ITEM

CAD FILE : _S8943603



P/N : 89436-00*1
 (ADHESIVE TAPE CUT OUT FOR ISP SHIELDED I/O)

DO NOT SCALE DRAWING

				MATERIAL :		MOLEX TAIWAN LTD. SHEET 3 OF 3	
				FINISH :			
				WIRE RANGE :		GENERAL TOLERANCES ANGLE : ± 3° DIM : ± .25 / .010	
				INS. RANGE :		ENG. NO. : SDE-89436-00**	
A	NEW OPTION	T98-238	THOMAS	980113	DRAWN BY 980113 THOMAS CHANG		REV A
LTR	REVISION RECORD	ECN	DR	DATE	CHK'D BY	TITLE : COVER, TYPE II MEMORY CARD	
REVISE ONLY ON CAD SYSTEM					APPR'D BY	SCALE	2:1

ENG. NO SDE-89436-00**

EDP NO.

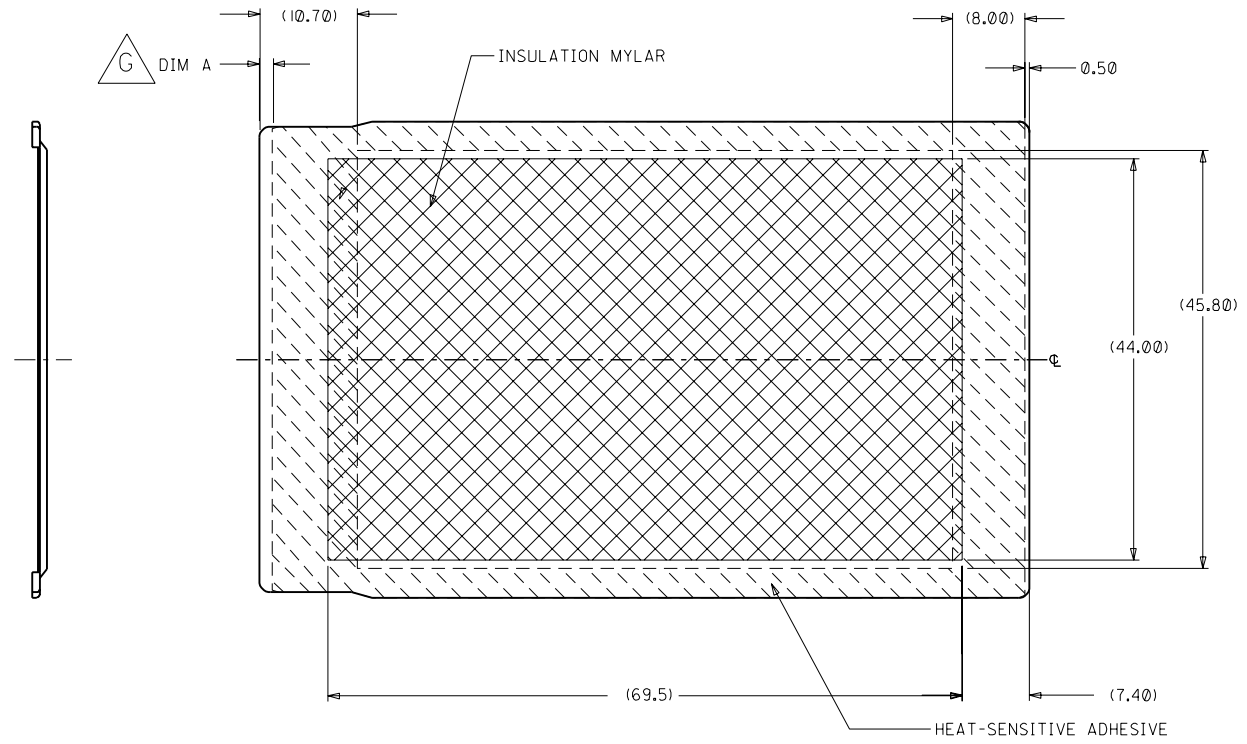
SIMILAR ITEM

CAD FILE : S8943602

DO NOT SCALE DRAWING

8 7 6 5 4 3 2 1

F
E
D
C
B
A



△ P/N : 89436-00*0 (DIM A= 1.50±1.0)
89436-00*2 (DIM A= 2.50±1.0)

				MATERIAL :		MOLEX TAIWAN LTD.	
						SHEET 2 OF 3	
G	NEW OPTION	T99-101	THOMAS	991019	FINISH :		
F	NEW OPTION	T98-238	THOMAS	980113	GENERAL TOLERANCES		
E	RELEASE TO MANUFACTURING	T97391	JULIA	970508	ANGLE : ± 3° DIM : ± .25/0.10		
D	PER ECN T97-270		JULIA	970224	ENG. NO.:		
C	PER ECN T97-142		JULIA	961029	SDE-89436-00**		
B	PER ECN T97-024		JULIA	960820	REV G		
A1	PER ECN T96-375		JULIA	960514	TITLE :		
LTR	REVISION RECORD	ECN	DR	DATE	DRAWN BY 960227 Julio Hung	CHK'D BY	COVER, TYPE II MEMORY CARD
REVISE ONLY ON CAD SYSTEM					APPR'D BY	SCALE 2:1	