



Chipsmall Limited consists of a professional team with an average of over 10 year of expertise in the distribution of electronic components. Based in Hongkong, we have already established firm and mutual-benefit business relationships with customers from,Europe,America and south Asia,supplying obsolete and hard-to-find components to meet their specific needs.

With the principle of "Quality Parts,Customers Priority,Honest Operation,and Considerate Service",our business mainly focus on the distribution of electronic components. Line cards we deal with include Microchip,ALPS,ROHM,Xilinx,Pulse,ON,Everlight and Freescale. Main products comprise IC,Modules,Potentiometer,IC Socket,Relay,Connector.Our parts cover such applications as commercial,industrial, and automotives areas.

We are looking forward to setting up business relationship with you and hope to provide you with the best service and solution. Let us make a better world for our industry!



Contact us

Tel: +86-755-8981 8866 Fax: +86-755-8427 6832

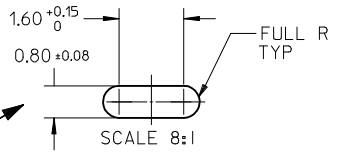
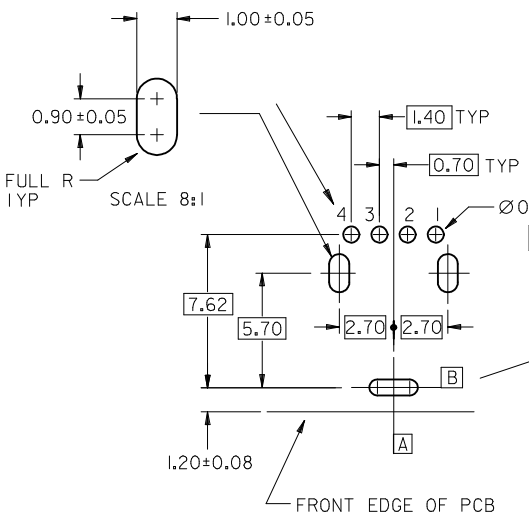
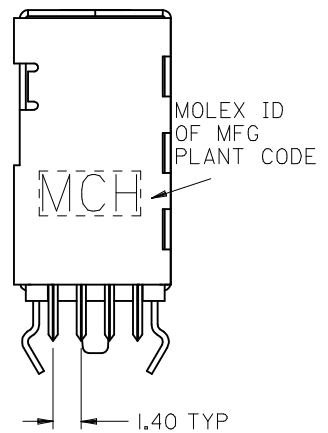
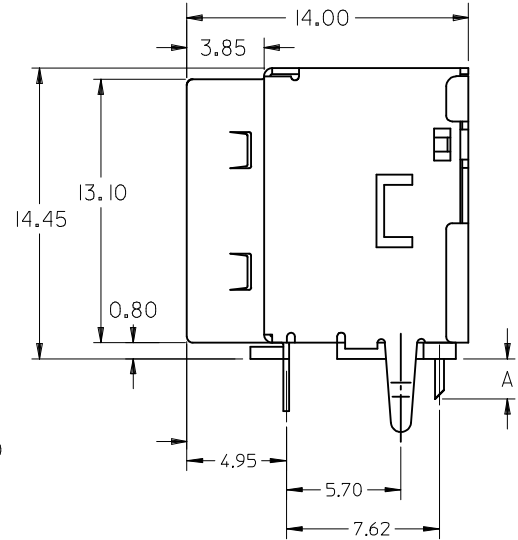
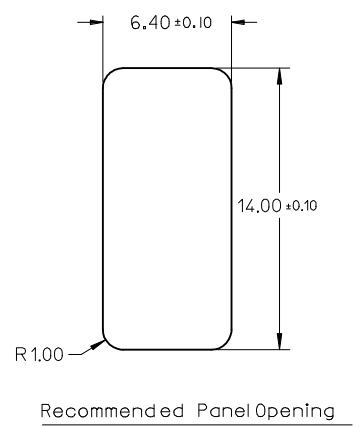
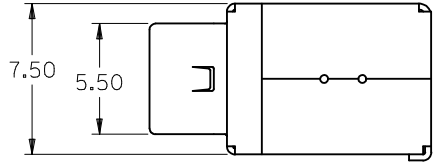
Email & Skype: info@chipsmall.com Web: www.chipsmall.com

Address: A1208, Overseas Decoration Building, #122 Zhenhua RD., Futian, Shenzhen, China



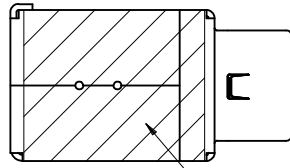
NOTE:
 1.MATERIAL:
 HOUSING:HIGH TEMPERATURE NYLON,GLASS FIBRE FILLED,UL94-V0,COLOR:BLACK
 TERMINAL:PHOSPHOR BRONZE
 METAL SHELL:DEEP DRAWN STEEL
 2.PLATING:
 TERMINAL:
 (a)GOLD FLASH ON THE CONTACT AREA,AND 75MICROINCH MINIMUM PURE TIN ON SOLDER TAIL, UNDER 50MICROINCH MINIMUM Ni PLATE.
 (b)30MICROINCH MINIMUM GOLD(Au) ON THE CONTACT AREA, AND 75MICROINCH MINIMUM PURE TIN ON SOLDER TAIL,UNDER 50MICROINCH MINIMUM Ni UNDER PLATE.
 (c)GOLD FLASH ON THE CONTACT AREA,AND 75MICROINCH MINIMUM MATTE TIN ON SOLDER TAIL,UNDER 50MICROINCH MINIMUM Ni PLATE.
 METAL SHELL:
 (d)100MICROINCH MINIMUM BRIGHT TIN ON THE METAL SHELL,AND 50MICROINCH MINIMUM Ni AND 100MICROINCH MINIMUM Cu PLATE.
 (e)100MICROINCH MINIMUM MATTE TIN ON THE METAL SHELL,AND 50MICROINCH MINIMUM Ni AND 100MICROINCH MINIMUM Cu PLATE.
 3.RECOMMENDED PCB THICKNESS:1.60 ±0.05mm
 4.PRODUCT SPECIFICATION:REFER TO PS-89485
 5. TRAY PACKAGING SPECIFICATION REFER TO:PK-89485-002
 TUBE PACKAGING SPECIFICATION REFER TO:PK-89485-001
 TUBE PACKAGING P/N,PLEASE REFER TO:SHEET2.3

DIMENSION*A*	P/N	PLATING	TERMINAL CONTACT PLATING	TERMINAL SOLDER PLATING	METAL SHELL PLATING
2.00 ^{+0.35} _{-0.15}	89485-8000	SEE NOTES(a)+(d)	GOLD FLASH	75 MICRO INCH BRIGHT TIN	100 MICRO INCH BRIGHT TIN
	89485-8001	SEE NOTES(b)+(d)	30 MICRO INCH GOLD		
▽ 2.50 ^{+0.35} _{-0.10}	89485-8002	SEE NOTES(a)+(d)	GOLD FLASH	75 MICRO INCH MATTE TIN	100 MICRO INCH MATTE TIN
	89485-8003	SEE NOTES(b)+(d)	30 MICRO INCH GOLD		
	89485-8012	SEE NOTES(c)+(e)	GOLD FLASH		



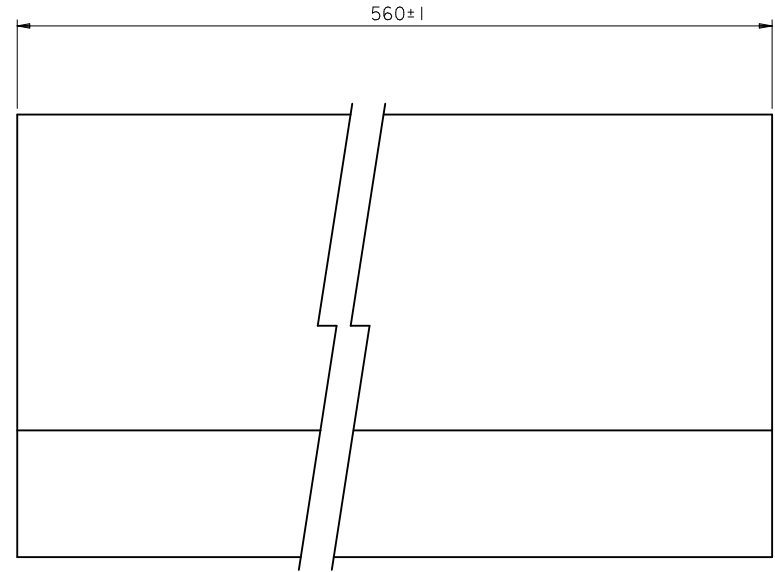
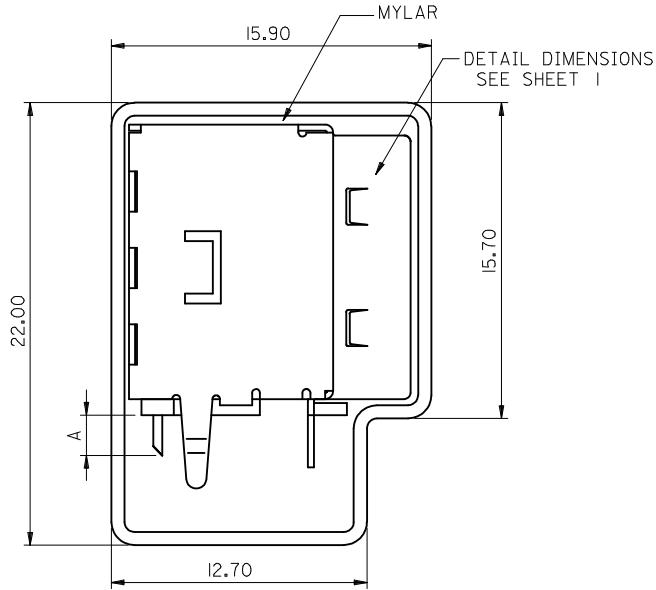
REVISED EC NO: SH2016-0035 DR:WZRZHANG 2015/07/29 CHK:DFZHANG 2015/07/29 APPR:AYIN 2015/08/24	QUALITY SYMBOLS	GENERAL TOLERANCES (UNLESS SPECIFIED)	DIMENSION STYLE	SCALE	DESIGN UNITS	THIRD ANGLE PROJECTION
	$F_{A/0}$ $F_{C/0}$ $F_{D/0}$	mm INCH 4 PLACES ± --- ± --- 3 PLACES ± --- ± --- 2 PLACES ± 0.25 ± .010 1 PLACE ± 0.25 ± .010 0 PLACE ± ±	MM ONLY	1:1	METRIC	
	ANGULAR ± 3 ° DRAFT WHERE APPLICABLE MUST REMAIN WITHIN DIMENSIONS	DRAWN BY DATE DAVID HU CHECKED BY DATE RZHANG APPROVED BY DATE	TITLE	SINGLE PORT UP-RIGHT USB CONNECTOR		
	MATERIAL NO. SEE TABLE DOCUMENT NO. SD-89485-003 SHEET NO. 1 OF 3					

10 9 8 7 6 5 4 3 2 1



MYLAR AREA

NOTE:
 1.DETAIL DIMENSIONS , PLEASE REFER TO SHEET 1 OF SD-89485-003
 2.THE TUBE PACKAGE INCLUDE TWO PLUGS ON RIGHT AND LEFT SIDES.
 3.TUBE PACKAGING SPECIFICATION REFER TO: PK-89485-001



PART NUMBER LEGEND:

P/N FOR TUBE PACKING AND MYLAR ADDITION			
MATERIAL NUMBER	DIMENSION "A"	PLATING SPECIFICATION	
WITH MYLAR	2.00 ^{+0.35} _{-0.15}	GOLD FLASH PLATING ON CONTACT AREA	
		30 MICRO INCH GOLD PLATING ON CONTACT AREA	
	2.50 ^{+0.35} _{-0.10}	GOLD FLASH PLATING ON CONTACT AREA	
		30 MICRO INCH GOLD PLATING ON CONTACT AREA	

SEE SHEET 1	EC NO: SH2016-0035	2015/07/29	DESCRIPTION
	DRWR:RZHANG	2015/07/29	
	CHKR:RZHANG		
	APPR:AYIN	2015/08/24	
REV			

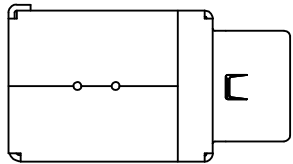
QUALITY SYMBOLS	GENERAL TOLERANCES (UNLESS SPECIFIED)	
	mm	INCH
$F_A=0$	4 PLACES ± ---	± ---
$F_C=0$	3 PLACES ± ---	± ---
$F_P=0$	2 PLACES ± 0.25	± .010
	1 PLACE ± 0.25	± .010
	0 PLACE ±	±

ANGULAR ± 3 °
 DRAFT WHERE APPLICABLE MUST REMAIN WITHIN DIMENSIONS

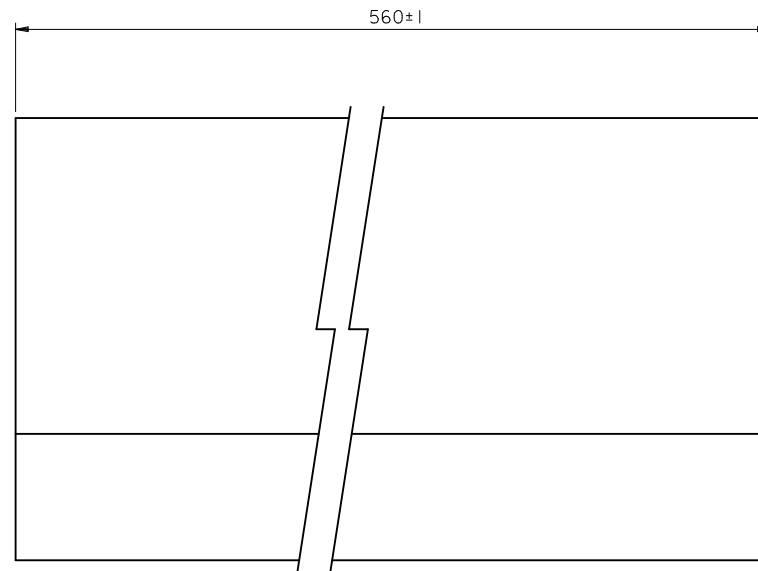
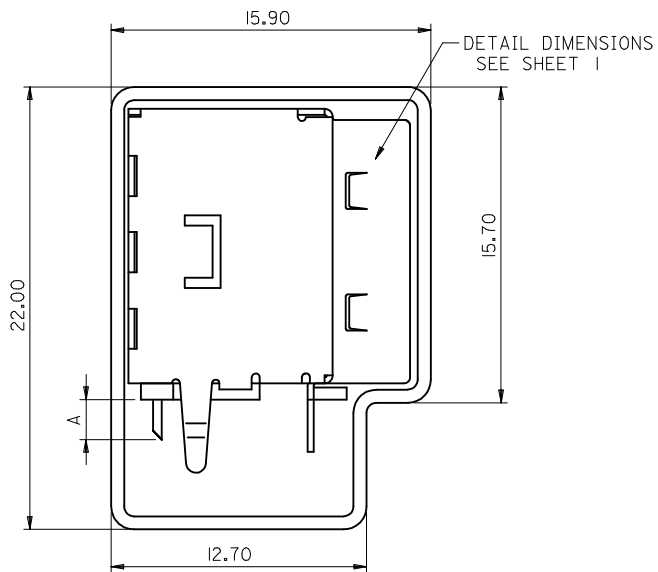
DIMENSION STYLE		SCALE	DESIGN UNITS	THIRD ANGLE PROJECTION
MM ONLY		1:1	METRIC	
DRAWN BY	DATE	TITLE		
DAVID HU		SINGLE PORT UP-RIGHT USB CONNECTOR		
CHECKED BY	DATE			
RZHANG				
APPROVED BY	DATE			
MATERIAL NO.	DOCUMENT NO.	SHEET NO.		
SEE SHEET 1	SD-89485-003	2 OF 3		
SIZE	THIS DRAWING CONTAINS INFORMATION THAT IS PROPRIETARY TO MOLEX INCORPORATED AND SHOULD NOT BE USED WITHOUT WRITTEN PERMISSION			
A3				

9 8 7 6 5 4 3 2 1

10 9 8 7 6 5 4 3 2 1



NOTE:
 1.DETAIL DIMENSIONS , PLEASE REFER TO SHEET 1 OF SD-89485-003
 2.THE TUBE PACKAGE INCLUDE TWO PLUGS ON RIGHT AND LEFT SIDES.
 3.TUBE PACKAGING SPECIFICATION REFER TO: PK-89485-001



PART NUMBER LEGEND:

P/N FOR TUBE PACKING			
MATERIAL NUMBER	DIMENSION *A	PLATING SPECIFICATION	
WITHOUT MYLAR	2.00 ^{+0.35} / _{-0.15}	89485-8200	GOLD FLASH PLATING ON CONTACT AREA
		89485-8201	30 MICRO INCH GOLD PLATING ON CONTACT AREA
	2.50 ^{+0.35} / _{-0.10}	89485-8202	GOLD FLASH PLATING ON CONTACT AREA
		89485-8203	30 MICRO INCH GOLD PLATING ON CONTACT AREA

SEE SHEET 1	EC NO: SH2016-0035	2015/07/29	DESCRIPTION
	DRWR:RZHANG	2015/07/29	
	CHKD:RZHANG	2015/08/24	
	APPR:AYIN		

QUALITY SYMBOLS
$F_A=0$
$F_B=0$
$F_C=0$

GENERAL TOLERANCES (UNLESS SPECIFIED)		
	mm	INCH
4 PLACES	± ---	± ---
3 PLACES	± ---	± ---
2 PLACES	± 0.25	± .010
1 PLACE	± 0.25	± .010
0 PLACE	±	±
ANGULAR ± 3 °		
DRAFT WHERE APPLICABLE MUST REMAIN WITHIN DIMENSIONS		

DIMENSION STYLE	
MM ONLY	
DRAWN BY	DATE
DAVID HU	
CHECKED BY	DATE
RZHANG	
APPROVED BY	DATE
MATERIAL NO.	
SEE SHEET 1	

SCALE	DESIGN UNITS	THIRD ANGLE PROJECTION
1:1	METRIC	
TITLE		
SINGLE PORT UP-RIGHT USB CONNECTOR		
molex		
MATERIAL NO.	DOCUMENT NO.	SHEET NO.
SEE SHEET 1	SD-89485-003	3 OF 3
THIS DRAWING CONTAINS INFORMATION THAT IS PROPRIETARY TO MOLEX INCORPORATED AND SHOULD NOT BE USED WITHOUT WRITTEN PERMISSION		

9 8 7 6 5 4 3 2 1