



Chipsmall Limited consists of a professional team with an average of over 10 year of expertise in the distribution of electronic components. Based in Hongkong, we have already established firm and mutual-benefit business relationships with customers from,Europe,America and south Asia,supplying obsolete and hard-to-find components to meet their specific needs.

With the principle of "Quality Parts,Customers Priority,Honest Operation,and Considerate Service",our business mainly focus on the distribution of electronic components. Line cards we deal with include Microchip,ALPS,ROHM,Xilinx,Pulse,ON,Everlight and Freescale. Main products comprise IC,Modules,Potentiometer,IC Socket,Relay,Connector.Our parts cover such applications as commercial,industrial, and automotives areas.

We are looking forward to setting up business relationship with you and hope to provide you with the best service and solution. Let us make a better world for our industry!



Contact us

Tel: +86-755-8981 8866 Fax: +86-755-8427 6832

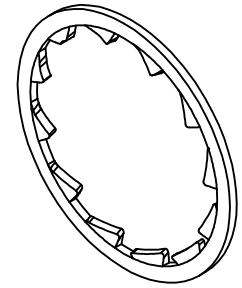
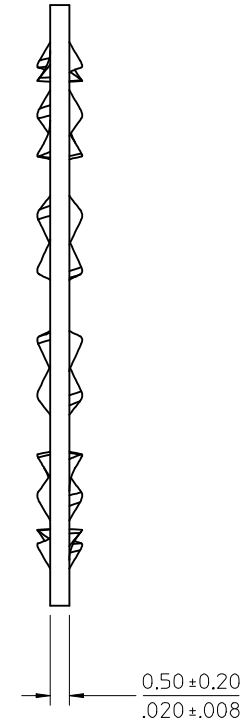
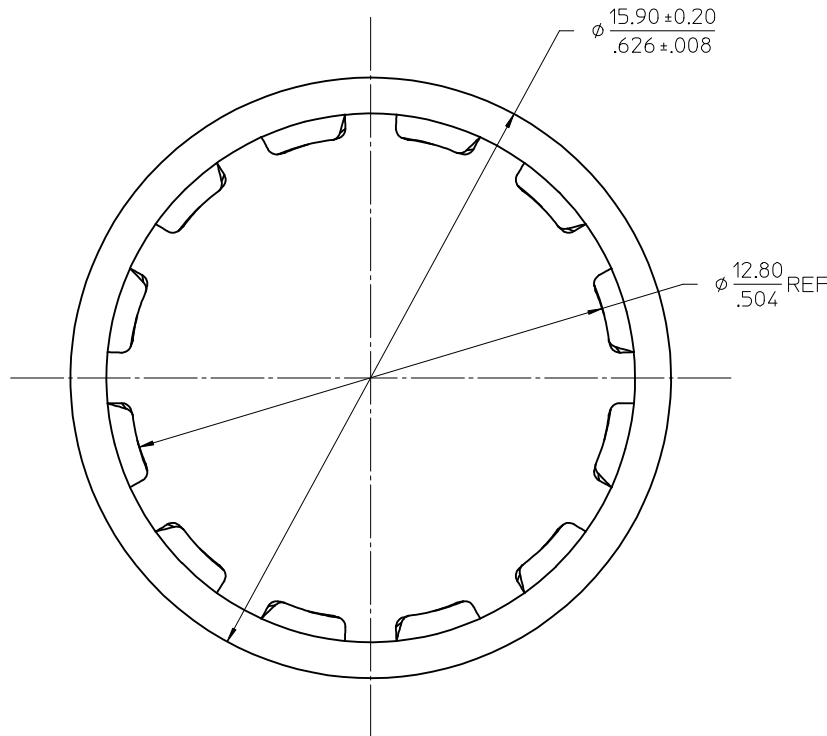
Email & Skype: info@chipsmall.com Web: www.chipsmall.com

Address: A1208, Overseas Decoration Building, #122 Zhenhua RD., Futian, Shenzhen, China



MATERIALS AND FINISHES

LOCK WASHER: PHOSPHOR BRONZE
PLATED NICKEL



PART # 89610-0104

CHG: ADD TOLERANCE
PER RF15-E187
EC NO: URF2015-0597
DRWN: CWE102 2015/04/28
CHKD:
APPR: YCHENG 2015/05/06

REV	DESCRIPTION
A1	

QUALITY SYMBOLS	
	= 0
	= 0
	= 0

GENERAL TOLERANCES (UNLESS SPECIFIED)		
	mm	INCH
4 PLACES	± .004	± .0001
3 PLACES	± .005	± .0002
2 PLACES	± .007	± .0003
1 PLACE	± .010	± .0004
0 PLACE	± .015	± .0006

ANGULAR ± 2 °

DRAFT WHERE APPLICABLE
MUST REMAIN
WITHIN DIMENSIONS

DIMENSION STYLE	
MM/IN	
DRAWN BY	DATE
AROBERTSON	2010/01/08
CHECKED BY	DATE
SSS	
APPROVED BY	DATE
MATERIAL NO.	896100104

SCALE	DESIGN UNITS	THIRD ANGLE PROJECTION
METRIC		
LOCKWASHER M-LW		
molex		
DOCUMENT NO.	SD-89610-0104	SHEET NO. 1 OF 1
THIS DRAWING CONTAINS INFORMATION THAT IS PROPRIETARY TO MOLEX. INCORPORATED AND SHOULD NOT BE USED WITHOUT WRITTEN PERMISSION		