



Chipsmall Limited consists of a professional team with an average of over 10 year of expertise in the distribution of electronic components. Based in Hongkong, we have already established firm and mutual-benefit business relationships with customers from,Europe,America and south Asia,supplying obsolete and hard-to-find components to meet their specific needs.

With the principle of “Quality Parts,Customers Priority,Honest Operation,and Considerate Service”,our business mainly focus on the distribution of electronic components. Line cards we deal with include Microchip,ALPS,ROHM,Xilinx,Pulse,ON,Everlight and Freescale. Main products comprise IC,Modules,Potentiometer,IC Socket,Relay,Connector.Our parts cover such applications as commercial,industrial, and automotives areas.

We are looking forward to setting up business relationship with you and hope to provide you with the best service and solution. Let us make a better world for our industry!



Contact us

Tel: +86-755-8981 8866 Fax: +86-755-8427 6832

Email & Skype: info@chipsmall.com Web: www.chipsmall.com

Address: A1208, Overseas Decoration Building, #122 Zhenhua RD., Futian, Shenzhen, China



MATERIALS AND FINISHES:

SMA JACK
 BODY, FERRULE: BRASS
 PLATED: SEE TABLE

CENTER CONTACT: BERYLLIUM COPPER
 PLATED GOLD

INSULATOR: TEFLON

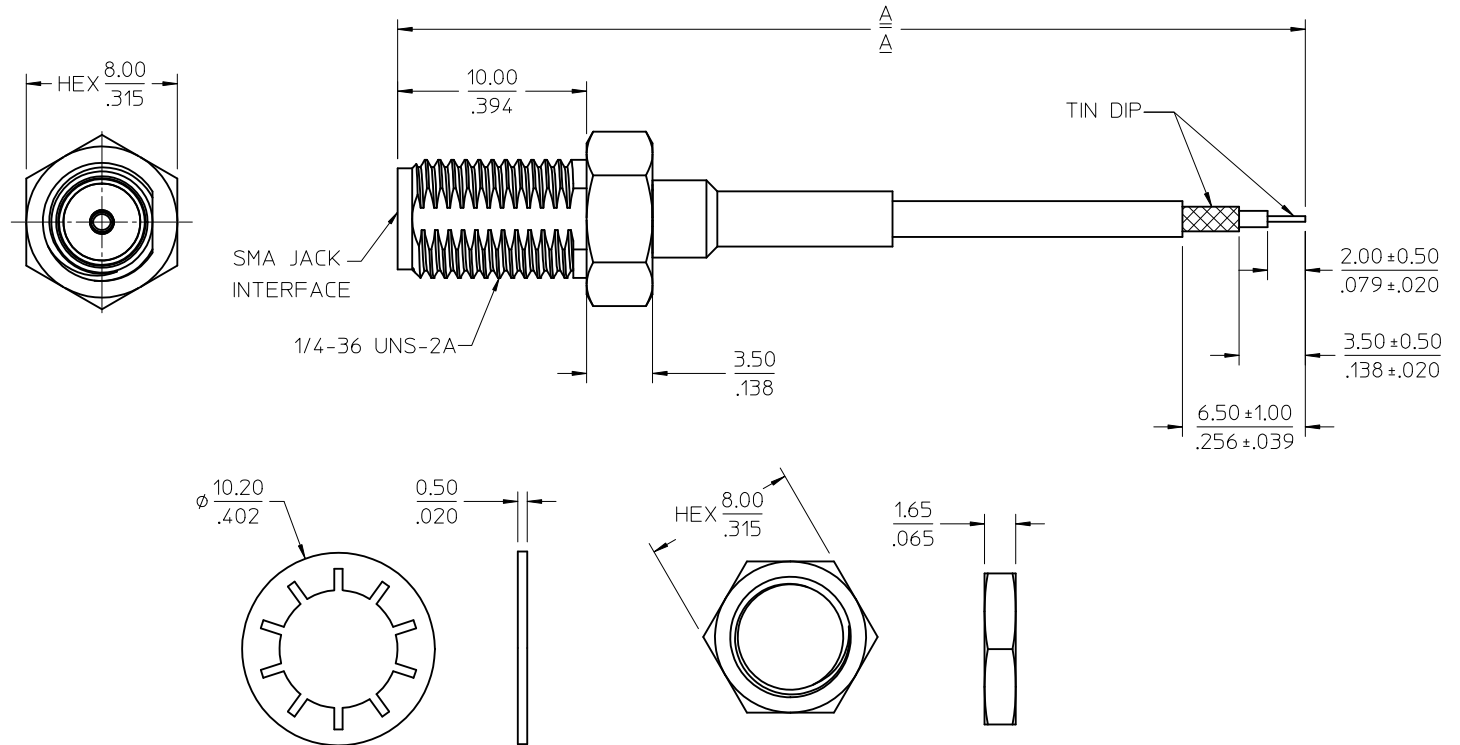
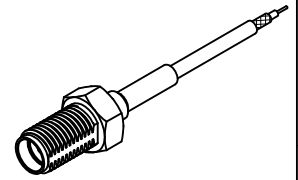
JAM NUT: BRASS
 PLATED: SEE TABLE

LOCKWASHER: SPCC OR EQUIVALENT
 PLATED: SEE TABLE

CABLE:
 RG178 CABLE OR EQUIVALENT

SHRINK TUBE: VERSAFIT OR EQUIVALENT
 BLACK COLOR

PACKAGING: BY POLYBAG



89761-1674	7.087±.197	180.00±5.00	GOLD
89761-1673	5.00±.197	127.00±5.00	GOLD
89761-1672	5.512±.197	140.00±5.00	GOLD
89761-1671	5.00±.197	127.00±5.00	NICKEL
89761-1670	5.00±.197	127.00±5.00	GOLD
PART NO.	IN	MM	PLATING
DIM	A		

MIL-STD-348A, FIG. 310.2	SMA INTERFACE
SPECIFICATION	DESCRIPTION

CHG: UPDATED MATERIAL FOR LOCK WASHER PER RF12-E045 EC NO: URF2012-0484 DRW:RYEH CHKD: APPR:HUANG 2012/02/10 2012/03/02 DESCRIPTION REV: A4	QUALITY SYMBOLS ▽=0 ▽=0	GENERAL TOLERANCES (UNLESS SPECIFIED) 4 PLACES ± .13 ± .005 3 PLACES ± .13 ± .005 2 PLACES ± .13 ± .005 1 PLACE ± 0.25 ± .010 ANGULAR ± 2°	DIMENSION STYLE MM/IN	SCALE DESIGN UNITS METRIC	THIRD ANGLE PROJECTION	
	DRAWN BY JOYCE	DATE 2005/12/29	TITLE CA SMA JACK STR BKHD TO STRIP W/RG178 CABLE CA-SMAJ/STRIP			
	CHECKED BY KERRIE	DATE 2005/12/29	MOLEX INCORPORATED			
	APPROVED BY MISEN	DATE 2005/12/29	MATERIAL NO. SEE TABLE	DOCUMENT NO. SD-89761-167	SHEET NO. 1 OF 1	

DRAFT WHERE APPLICABLE MUST REMAIN WITHIN DIMENSIONS

THIS DRAWING CONTAINS INFORMATION THAT IS PROPRIETARY TO MOLEX INCORPORATED AND SHOULD NOT BE USED WITHOUT WRITTEN PERMISSION