



Chipsmall Limited consists of a professional team with an average of over 10 year of expertise in the distribution of electronic components. Based in Hongkong, we have already established firm and mutual-benefit business relationships with customers from,Europe,America and south Asia,supplying obsolete and hard-to-find components to meet their specific needs.

With the principle of “Quality Parts,Customers Priority,Honest Operation,and Considerate Service”,our business mainly focus on the distribution of electronic components. Line cards we deal with include Microchip,ALPS,ROHM,Xilinx,Pulse,ON,Everlight and Freescale. Main products comprise IC,Modules,Potentiometer,IC Socket,Relay,Connector.Our parts cover such applications as commercial,industrial, and automotives areas.

We are looking forward to setting up business relationship with you and hope to provide you with the best service and solution. Let us make a better world for our industry!



Contact us

Tel: +86-755-8981 8866 Fax: +86-755-8427 6832

Email & Skype: info@chipsmall.com Web: www.chipsmall.com

Address: A1208, Overseas Decoration Building, #122 Zhenhua RD., Futian, Shenzhen, China



MATERIALS AND FINISHES

SMA CONNECTOR

BODY BRASS
PLATED GOLD

CENTER CONTACT PHOSPHOR BRONZE
PLATED GOLD

INSULATOR TEFLON

JAM NUT BRASS
PLATED GOLD

LOCK WASHER SPCC
PLATED GOLD

UFL CONNECTOR

SHELL PHOSPHOR BRONZE
PLATED SEE TABLE

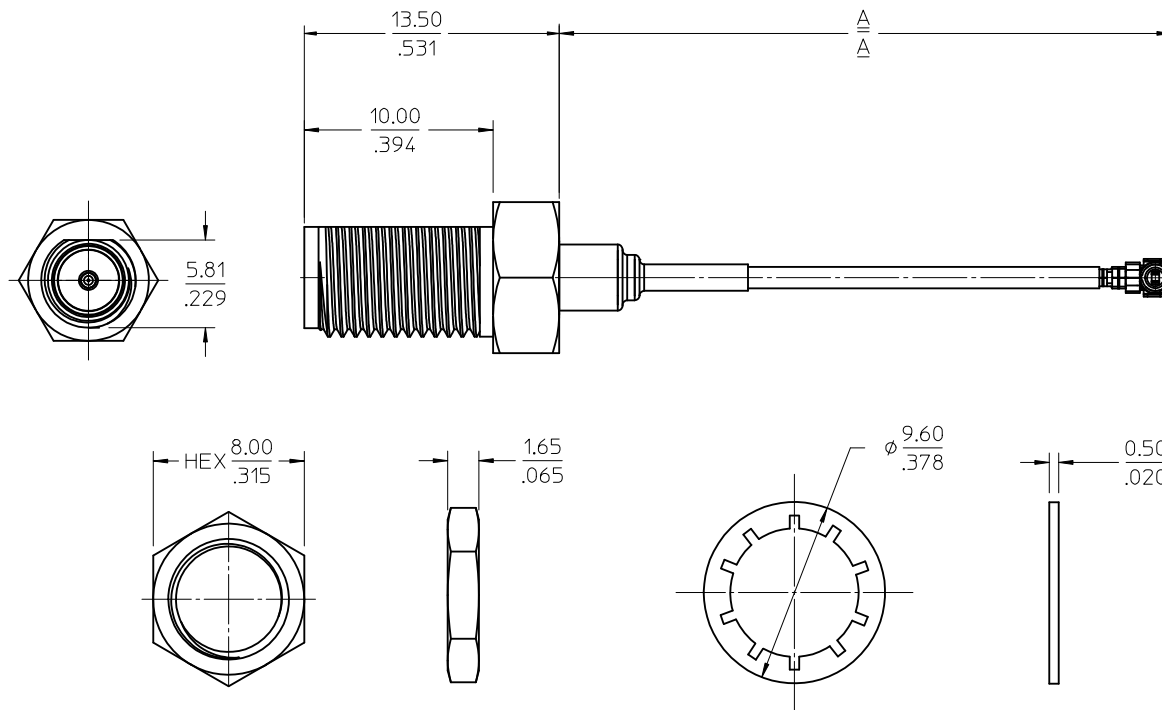
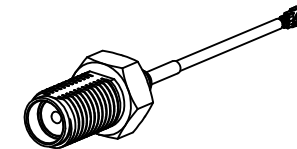
HOUSING PBT

CENTER CONTACT PHOSPHOR BRONZE
PLATED GOLD

CABLE

1.13 CABLE OR EQUIVALENT
COLOR GRAY

SHRINK TUBE
VERSAFIT V2



89761-3416	GOLD	6.693±.197	170.00±5.00
89761-3415	GOLD	3.000±.197	76.20±5.00
89761-3414	GOLD	5.905±.197	150.00±5.00
89761-3413	GOLD	11.811±.197	300.00±5.00
89761-3412	GOLD	3.937±.197	100.00±5.00
89761-3411	GOLD	7.874±.197	200.00±5.00
89761-3410	SILVER	3.937±.197	100.00±5.00

OBSOLETE

MIL-STD-348A, FIG. 310.2	INTERFACE
SPECIFICATION	DESCRIPTION

PART NO.	UFL PLATING	IN	MM
DIMENSION A			

CHG: -3416 ADDED PER PDR112954 EC NO: URF2012-0383 DRWR: YEH CHKD: MUIANG APPR: MUIANG 2011/12/14 2012/01/19 DESCRIPTION	QUALITY SYMBOLS ▽=0 ▽=0	GENERAL TOLERANCES (UNLESS SPECIFIED)	DIMENSION STYLE MM/IN	SCALE 4:1	DESIGN UNITS METRIC	THIRD ANGLE PROJECTION	
		4 PLACES ± --- ± --- 3 PLACES ± --- ± --- 2 PLACES ± --- ± --- 1 PLACE ± --- ± ---	DRAWN BY EVITA DATE 2008/12/01	SMA JACK TO UFL 1.13 CABLE CA-SMA/UFL			
		ANGULAR ± 2 °	CHECKED BY JOANNE DATE 2008/12/01	MOLEX INCORPORATED			
		DRAFT WHERE APPLICABLE MUST REMAIN WITHIN DIMENSIONS	APPROVED BY MISEN DATE 2008/12/01	MATERIAL NO. SEE TABLE	DOCUMENT NO. SD-89761-341	SHEET NO. 1 OF 1	