



Chipsmall Limited consists of a professional team with an average of over 10 year of expertise in the distribution of electronic components. Based in Hongkong, we have already established firm and mutual-benefit business relationships with customers from,Europe,America and south Asia,supplying obsolete and hard-to-find components to meet their specific needs.

With the principle of “Quality Parts,Customers Priority,Honest Operation,and Considerate Service”,our business mainly focus on the distribution of electronic components. Line cards we deal with include Microchip,ALPS,ROHM,Xilinx,Pulse,ON,Everlight and Freescale. Main products comprise IC,Modules,Potentiometer,IC Socket,Relay,Connector.Our parts cover such applications as commercial,industrial, and automotives areas.

We are looking forward to setting up business relationship with you and hope to provide you with the best service and solution. Let us make a better world for our industry!



Contact us

Tel: +86-755-8981 8866 Fax: +86-755-8427 6832

Email & Skype: info@chipsmall.com Web: www.chipsmall.com

Address: A1208, Overseas Decoration Building, #122 Zhenhua RD., Futian, Shenzhen, China

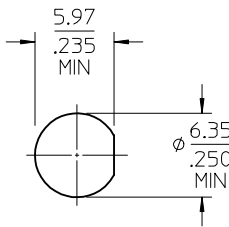
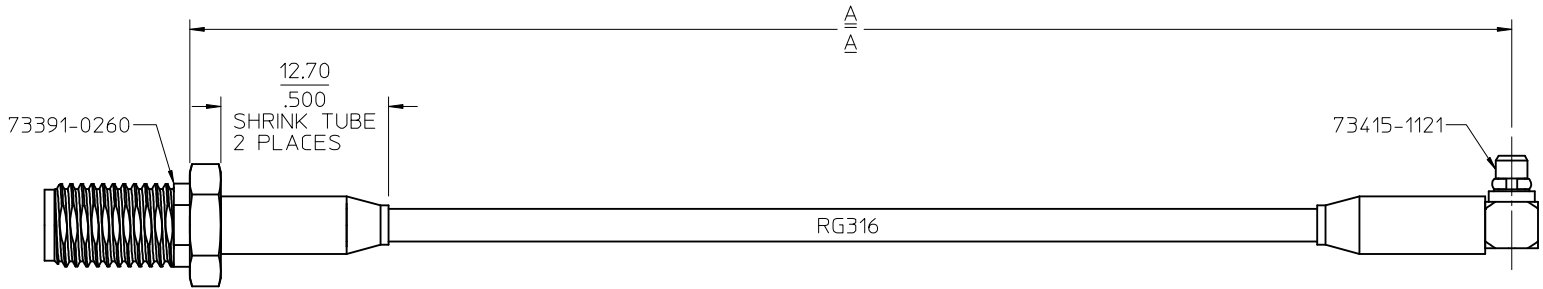
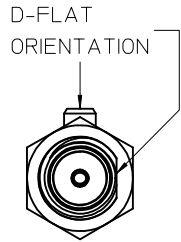
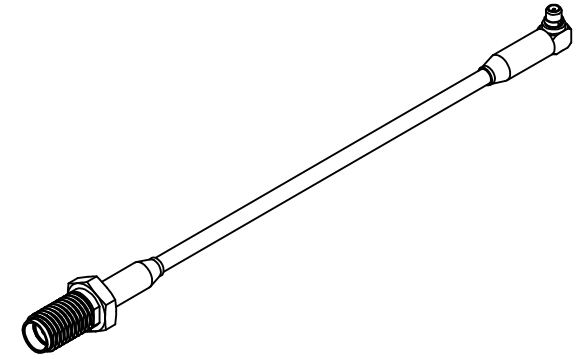


MATERIALS AND FINISHES

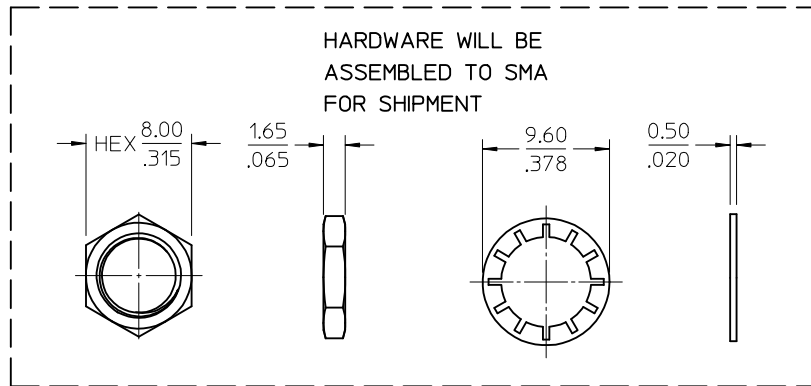
CABLES WILL BE INDIVIDUALLY BAGGED

- SMA JACK: SEE SD-73391-026
- MMCX PLUG: SEE SD-73415-112
- CABLE: RG316
- SHRINK TUBE: VERSAFIT

BAG LABEL:
MOLEX: P/N
DATE CODE



RECOMMENDED PANEL CUTOUT
MAX PANEL THICKNESS 3.18 (.125)



89761-6822	18.0±.35	457.2±8.89	POLYBAG
89761-6821	12.0±.25	304.8±6.35	POLYBAG
89761-6820	6.00±.25	152.4±6.35	POLYBAG
PART NO.	IN	MM	PACKAGING
A			

CECC-22-340	INTERFACE MMCX
MIL-STD-348A, FIG. 310.2	INTERFACE SMA
SPECIFICATION	DESCRIPTION

CHG: REGENERATED IN SYSTEM PER RF12-E082 EC NO: URF2013-0035 DRAWN: YEH CHKD: APPR: HUANG	2012/07/13 2012/07/28 DESCRIPTION REV	QUALITY SYMBOLS	GENERAL TOLERANCES (UNLESS SPECIFIED)	DIMENSION STYLE	SCALE	DESIGN UNITS	THIRD ANGLE PROJECTION
		▽=0	mm INCH	MM/IN	3.5:1	METRIC	CA SMA J STR BKHD TO MMCX P R/A W/RG316 CA-SMAJ/MMCXP, EWR-3874 molex
		▽=0	4 PLACES ± --- ± ---	DRAWN BY DATE	TITLE		
		▽=0	3 PLACES ± --- ± ---	AZR 2009/01/08			
	2 PLACES ± --- ± ---	CHECKED BY DATE					
	1 PLACE ± --- ± ---	SSS 2009/01/08					
	0 PLACE ± --- ± ---	APPROVED BY DATE					
		JWIENER 2010/03/08					
		MATERIAL NO.	ANGULAR ± 2°	SEE TABLE	DOCUMENT NO.	SD-89761-682	SHEET NO.
			DRAFT WHERE APPLICABLE MUST REMAIN WITHIN DIMENSIONS	SIZE			1 OF 1
				C	THIS DRAWING CONTAINS INFORMATION THAT IS PROPRIETARY TO MOLEX INCORPORATED AND SHOULD NOT BE USED WITHOUT WRITTEN PERMISSION		