



Chipsmall Limited consists of a professional team with an average of over 10 year of expertise in the distribution of electronic components. Based in Hongkong, we have already established firm and mutual-benefit business relationships with customers from,Europe,America and south Asia,supplying obsolete and hard-to-find components to meet their specific needs.

With the principle of “Quality Parts,Customers Priority,Honest Operation,and Considerate Service”,our business mainly focus on the distribution of electronic components. Line cards we deal with include Microchip,ALPS,ROHM,Xilinx,Pulse,ON,Everlight and Freescale. Main products comprise IC,Modules,Potentiometer,IC Socket,Relay,Connector.Our parts cover such applications as commercial,industrial, and automotives areas.

We are looking forward to setting up business relationship with you and hope to provide you with the best service and solution. Let us make a better world for our industry!



## Contact us

Tel: +86-755-8981 8866 Fax: +86-755-8427 6832

Email & Skype: info@chipsmall.com Web: www.chipsmall.com

Address: A1208, Overseas Decoration Building, #122 Zhenhua RD., Futian, Shenzhen, China



THE INFORMATION CONTAINED HEREIN IS CONSIDERED "PROPRIETARY" TO BEL FUSE INC. AND SHALL NOT BE COPIED, REPRODUCED OR DISCLOSED WITHOUT THE WRITTEN APPROVAL OF BEL FUSE INC.

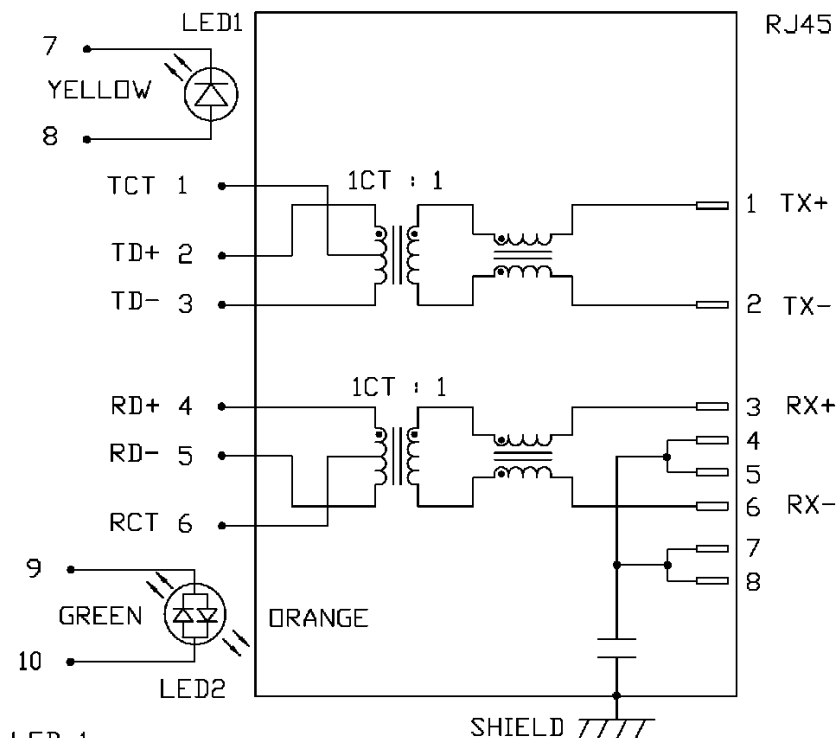
LED1 POLARITY			LED2 POLARITY		
PIN 7	PIN 8	COLOR	PIN 9	PIN 10	COLOR
-	+	YELLOW	+	-	ORANGE
			-	+	GREEN



**ELECTRICAL CHARACTERISTICS @ 25°C**

<b>URNS RATIO</b> TX RX <b>DCL @ 100kHz/100mVRMS</b> 8mA DC BIAS <b>INS. LOSS</b> 1MHz TO 100MHz <b>RET. LOSS (MIN)</b> 1MHz-30MHz 30MHz-60MHz 60MHz-80MHz <b>CROSS TALK (TX - RX)</b> 500kHz-1MHz 10 MHz 30 MHz 50 MHz 100 MHz <b>CM TO CM REJ</b> 100kHz-1MHz 10 MHz 30 MHz 60 MHz 100 MHz <b>CM TO DM REJ</b> 100kHz-1MHz 10 MHz 30 MHz 60 MHz 100 MHz <b>HIPOT (Isolation Voltage):</b>	1CT : 1 1CT : 1  350µ H MIN.  -1.0 dB MAX  -18 dB -18+20LOG(F/30MHz) dB -12 dB  -70 dB MIN -50 dB MIN -45 dB MIN -40 dB MIN -35 dB MIN  -70 dB MIN -47 dB MIN -42 dB MIN -37 dB MIN -30 dB MIN  -70 dB MIN -60 dB MIN -50 dB MIN -45 dB MIN -35 dB MIN  1500 Vrms
--	--

**SCHEMATIC**



LED 1  
 VF (FORWARD VOLTAGE) IF=20mA YELLOW 2.1V TYP.  
 λD (DOMINANT WAVELENGTH) IF=20mA YELLOW 590nm TYP.

LED 2  
 VF (FORWARD VOLTAGE) IF=20mA ORANGE 2.0V TYP.  
 GREEN 2.2V TYP.  
 λD (DOMINANT WAVELENGTH) IF=20mA ORANGE 610nm TYP.  
 GREEN 565nm TYP.

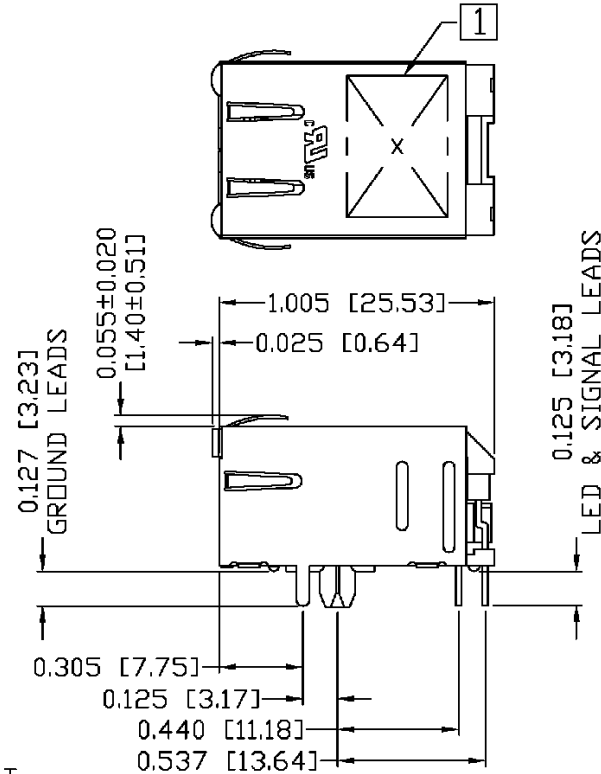
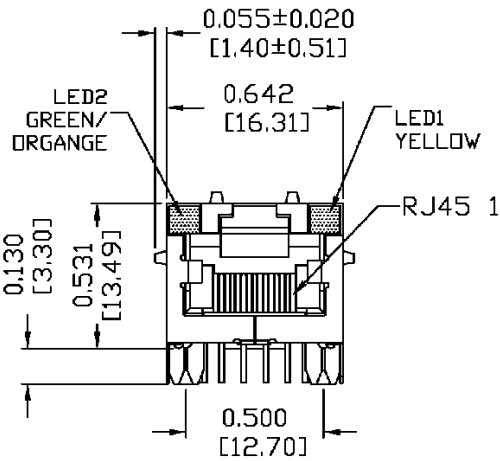
ORIGINATED BY CHUNG	DATE 02-17-06	TITLE MagJack® (Unused pin Termination) 08B0-1X1T-01-F	PART NO. / DRAWING NO. 08B01X1T01-F	STANDARD DIM. TOL. IN INCH	[ ] METRIC DIM. AS REFERENCE	bel COMPONENTS FOR A CONNECTED PLANET™
DRAWN BY DE	DATE 02-17-06		FILE NAME 08B01X1T01-FA.DWG	.X .XX .XXX	UNIT : INCH [mm] SCALE : N/A	

THE INFORMATION CONTAINED HEREIN IS CONSIDERED "PROPRIETARY" TO BEL FUSE INC. AND SHALL NOT BE COPIED, REPRODUCED OR DISCLOSED WITHOUT THE WRITTEN APPROVAL OF BEL FUSE INC.

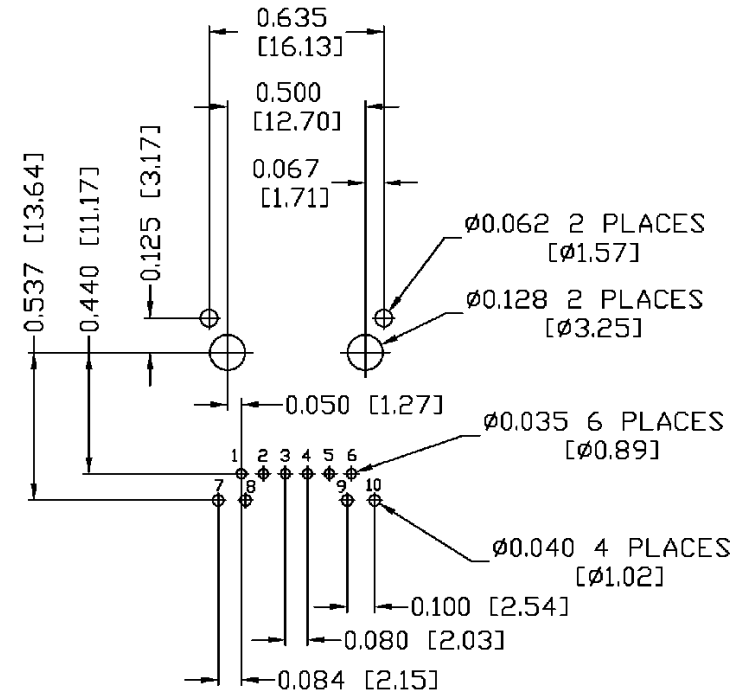
RoHS  
2002/95/EC



MECHANICAL SPECIFICATION



RECOMMENDED PCB FOOTPRINT  
COMPONENT SIDE VIEW



NOTES:

- PLASTIC HOUSING: THERMOPLASTIC PBT  
FLAMMABILITY RATING UL 94V-0
- CONTACTS PLATING: 15 MICRO-INCH HARD GOLD PLATING
- PINS: TIN-COATED COPPER WIRE, DIA 0.018 INCH.
- METAL SHIELD: PRE-PLATED NICKEL ON COPPER ALLOY.  
(ALL GROUND LEADS ARE SOLDER DIPPED)

1 MARK PART WITH MFG LOGO, MFG NAME, PART NUMBER, AND DATE CODE.

**UL** UL RECOGNIZED - FILE #E196366 AND E169987.  
RoHS COMPLIANCE, PER EU DIRECTIVE 2002/95/EC.  
JACK CAVITY CONFORMS TO FCC RULES AND REGULATIONS.

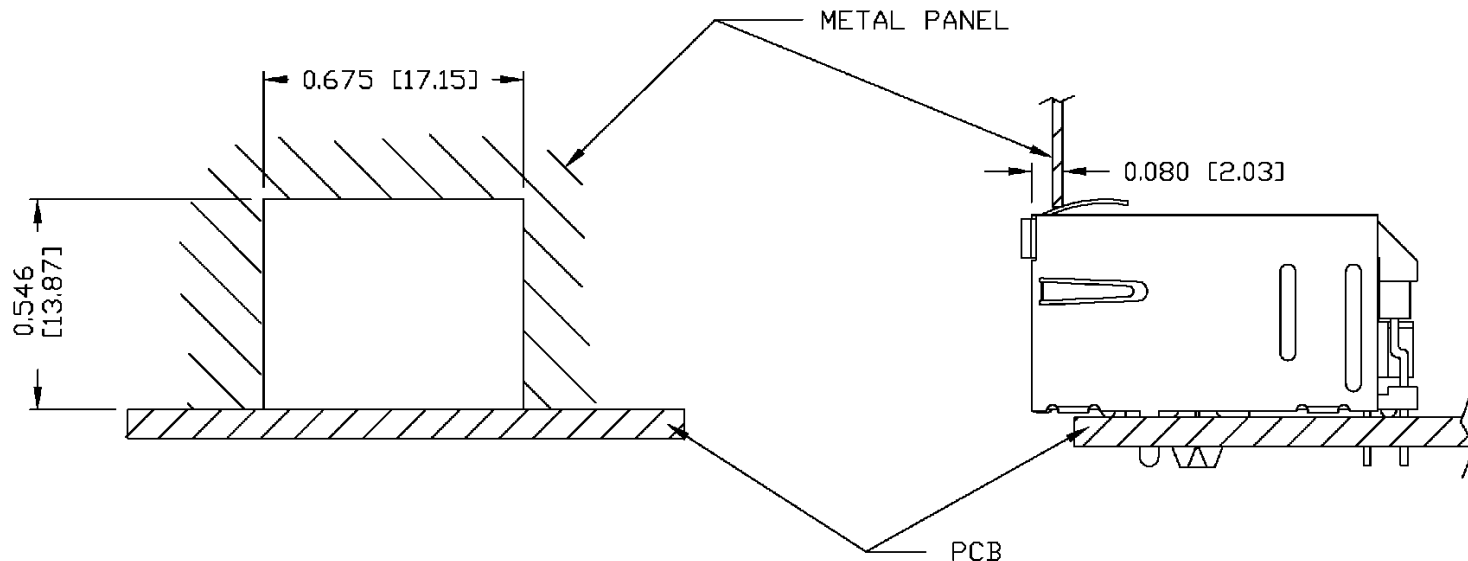
ORIGINATED BY QIN	DATE 04-13-06	TITLE MagJack® (Unused pin Termination) 08B0-1X1T-01-F	PART NO. / DRAWING NO. 08B01X1T01-F	STANDARD DIM. TOL. IN INCH	[ ] METRIC DIM. AS REFERENCE	 COMPONENTS FOR A CONNECTED PLANET
DRAWN BY TING	DATE 04-13-06		FILE NAME 08B01X1T01-FA.DWG	.X .XX .XXX	UNIT : INCH [mm] SCALE : N/A	
				±0.010		

THE INFORMATION CONTAINED HEREIN IS CONSIDERED "PROPRIETARY" TO BEL FUSE INC. AND SHALL NOT BE COPIED, REPRODUCED OR DISCLOSED WITHOUT THE WRITTEN APPROVAL OF BEL FUSE INC.

RoHS  
2002/95/EC



SUGGESTED PANEL OPENING



THE DISTANCE OF PANEL INSIDE SURFACE RELATIVE TO FRONT SURFACE OF PART IS ONLY A SUGGESTION. IN CASE THIS DISTANCE IS DIFFERENT, THE REQUIRED PANEL OPENING DIMENSIONS CHANGE ACCORDINGLY.

PACKING INFORMATION

PACKING TRAY : 0200-9999-D4 (TOP)  
0200-9999-D5 (BOTTOM)

PACKING QUANTITY : 60 PCS FINISHED GOODS PER TRAY  
11 TRAYS (660 PCS FINISHED GOODS) PER CARTON BOX

NOTE : CARDBOARDS ARE PLACED BETWEEN LAYERS OF PACKING TRAY INSIDE CARTON BOX  
(INCLUDE THE UPPERMOST AND LOWERMOST TRAY)

ORIGINATED BY	DATE	TITLE MagJack® (Unused pin Termination) 08B0-1X1T-01-F	PART NO. / DRAWING NO.	STANDARD DIM.	[ ] METRIC DIM. AS REFERENCE		
QIN	04-13-06		08B01X1T01-F	TOL. IN INCH	UNIT : INCH [mm]	REV. : A	
DRAWN BY	DATE	FILE NAME 08B01X1T01-FA.DWG		.X	SCALE : N/A	SIZE : A4	
TING	04-13-06			.XX		±0.004	PAGE : 4
				.XXX			

