



Chipsmall Limited consists of a professional team with an average of over 10 year of expertise in the distribution of electronic components. Based in Hongkong, we have already established firm and mutual-benefit business relationships with customers from,Europe,America and south Asia,supplying obsolete and hard-to-find components to meet their specific needs.

With the principle of “Quality Parts,Customers Priority,Honest Operation,and Considerate Service”,our business mainly focus on the distribution of electronic components. Line cards we deal with include Microchip,ALPS,ROHM,Xilinx,Pulse,ON,Everlight and Freescale. Main products comprise IC,Modules,Potentiometer,IC Socket,Relay,Connector.Our parts cover such applications as commercial,industrial, and automotives areas.

We are looking forward to setting up business relationship with you and hope to provide you with the best service and solution. Let us make a better world for our industry!



Contact us

Tel: +86-755-8981 8866 Fax: +86-755-8427 6832

Email & Skype: info@chipsmall.com Web: www.chipsmall.com

Address: A1208, Overseas Decoration Building, #122 Zhenhua RD., Futian, Shenzhen, China



THE INFORMATION CONTAINED HEREIN IS CONSIDERED "PROPRIETARY" TO BEL FUSE INC. AND SHALL NOT BE COPIED, REPRODUCED OR DISCLOSED WITHOUT THE WRITTEN APPROVAL OF BEL FUSE INC.

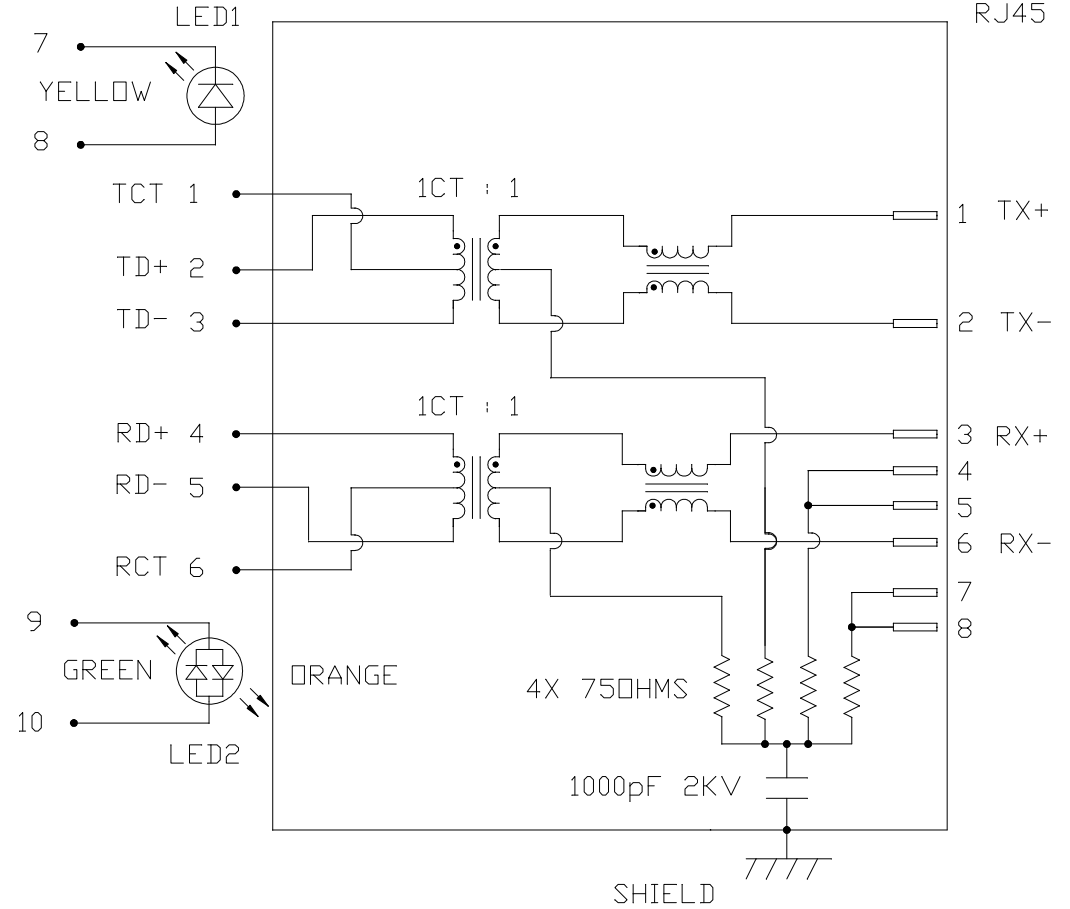
LED1 POLARITY			LED2 POLARITY		
PIN 7	PIN 8	COLOR	PIN 9	PIN 10	COLOR
-	+	YELLOW	+	-	ORANGE
			-	+	GREEN

SCHEMATIC



ELECTRICAL CHARACTERISTICS @ 25°C

TRANSFORMER	1CT : 1
TX	1CT : 1
RX	1CT : 1
OCL @ 100kHz/100mVRMS	350µH MIN.
8mA DC BIAS	
INS. LOSS	-1.0 dB MAX
1MHz TO 100MHz	
RET. LOSS (MIN)	-18 dB
1MHz-30MHz	
30MHz-60MHz	-18+20LOG(F/30MHz) dB
60MHz-80MHz	-12 dB
CROSS TALK (TX - RX)	
500kHz-1MHz	-70 dB MIN
10 MHz	-50 dB MIN
30 MHz	-45 dB MIN
50 MHz	-40 dB MIN
100 MHz	-35 dB MIN
CM TO CM REJ	
100kHz-1MHz	-70 dB MIN
10 MHz	-47 dB MIN
30 MHz	-42 dB MIN
60 MHz	-37 dB MIN
100 MHz	-30 dB MIN
CM TO DM REJ	
100kHz-1MHz	-70 dB MIN
10 MHz	-60 dB MIN
30 MHz	-50 dB MIN
60 MHz	-45 dB MIN
100 MHz	-40 dB MIN
HIPOT (Isolation Voltage):	1500 Vrms
100% OF PRODUCTION TESTED TO COMPLY WITH IEEE 802.3 ISOLATION REQUIREMENTS.	
LED1	VF (FORWARD VOLTAGE) IF=20mA YELLOW 2.1V TYP.
	λD (DOMINANT WAVELENGTH) IF=20mA YELLOW 590nm TYP.
LED 2	VF (FORWARD VOLTAGE) IF=20mA ORANGE 2.0V TYP.
	GREEN 2.2V TYP.
	λD (DOMINANT WAVELENGTH) IF=20mA ORANGE 605nm TYP.
	GREEN 570nm TYP.



ORIGINATED BY
CHOW WANCHUNG
DATE 2014-01-07

DRAWN BY
HU XIANG
DATE 2014-01-07

TITLE
MagJack®
(4 Cores, MDIX, CM Termination)

08B0-1X1T-36-F
PATENTED

PART NO. / DRAWING NO.
08B01X1T36-F

FILE NAME
08B01X1T36-F_C.DWG

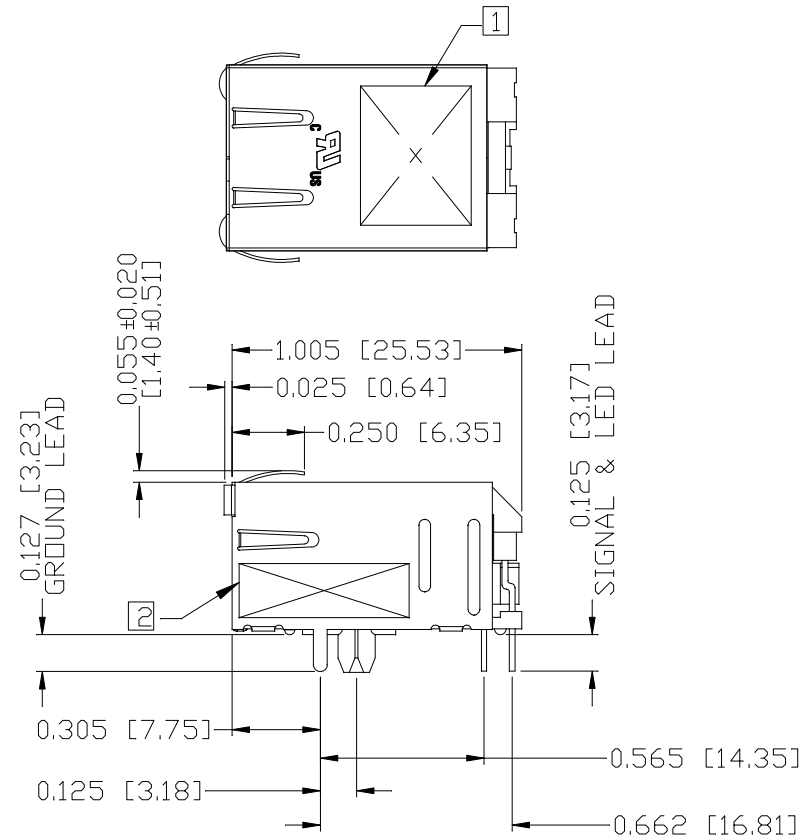
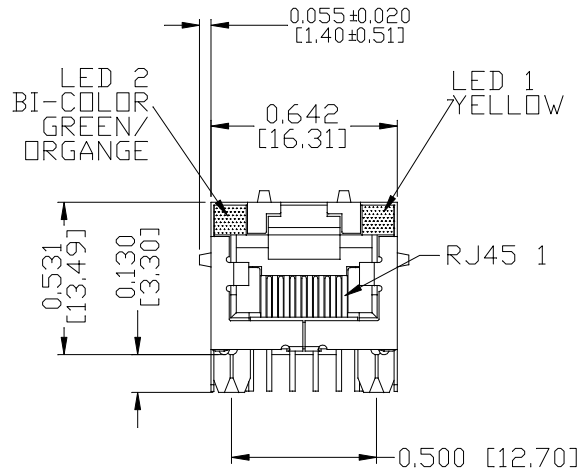
STANDARD DIM.	[] METRIC DIM.
TOL. IN INCH	AS REF.
.X	UNIT : INCH [mm]
.XX	SCALE : N/A
.XXX	SIZE : A4

REV. : C PAGE : 2

a bel group

THE INFORMATION CONTAINED HEREIN IS CONSIDERED "PROPRIETARY" TO BEL FUSE INC. AND SHALL NOT BE COPIED, REPRODUCED OR DISCLOSED WITHOUT THE WRITTEN APPROVAL OF BEL FUSE INC.

MECHANICAL SPECIFICATION



NOTES:

- PLASTIC HOUSING: THERMOPLASTIC PBT
FLAMMABILITY RATING UL 94V-0
- CONTACTS PLATING: 15 MICRO-INCH HARD GOLD PLATING OR EQUIVALENT.
- PINS: TIN-COATED COPPER WIRE, DIA 0.018 INCH.
- METAL SHIELD: PRE-PLATED NICKEL ON COPPER ALLOY.
- [1] MARK PART WITH MFG LOGO, MFG NAME, PART NUMBER AND DATE CODE.
- [2] "PATENTED" MARKING.

- 3. THE PRODUCT IS RoHS COMPLIANT.
- 4. JACK CAVITY CONFORMS TO FCC RULES AND REGULATIONS, PART 68 SUBPART F.
- 5. THE PRODUCT IS PATENTED. THE PATENT NUMBER IS U.S. PAT. 5,736,910.

UL RECOGNIZED - FILE #E196366 AND E169987.

REV. : C PAGE : 3

ORIGINATED BY
ANTON LIAO
DATE 2014-01-07
DRAWN BY
JESSE LI
DATE 2014-01-07

TITLE
MagJack®
(4 Cores, MDIX, CM Termination)
08B0-1X1T-36-F
PATENTED

PART NO. / DRAWING NO.
08B01X1T36-F
FILE NAME
08B01X1T36-F_C.DWG

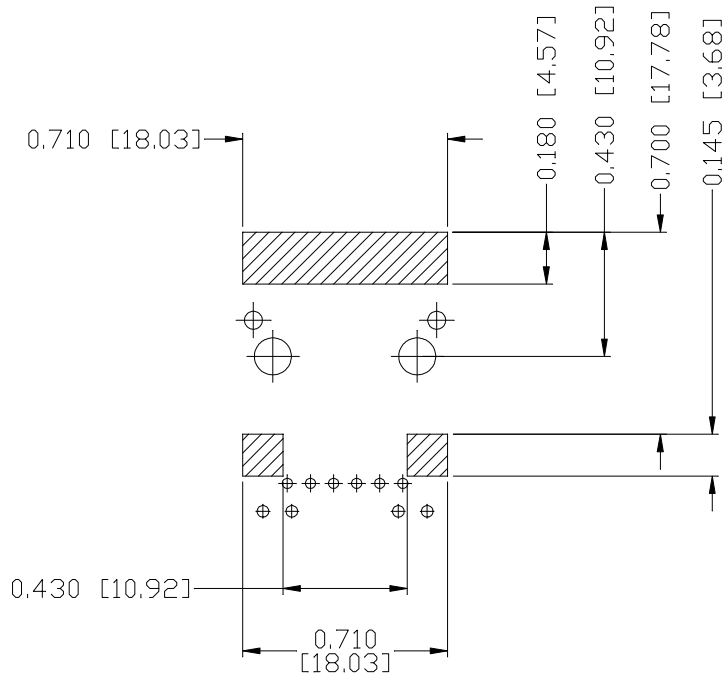
STANDARD DIM. TOL. IN INCH
.X
.XX
.XXX ±0.010

[] METRIC DIM. AS REF.
UNIT : INCH [mm]
SCALE : N/A
SIZE : A4

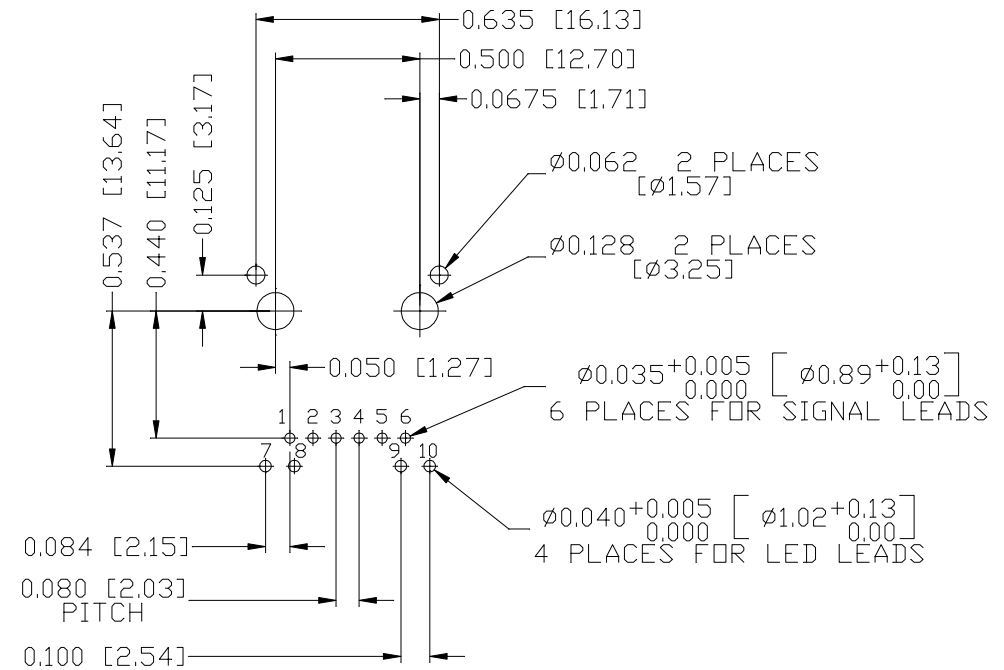


THE INFORMATION CONTAINED HEREIN IS CONSIDERED "PROPRIETARY" TO BEL FUSE INC. AND SHALL NOT BE COPIED, REPRODUCED OR DISCLOSED WITHOUT THE WRITTEN APPROVAL OF BEL FUSE INC.

RoHS



RECOMMENDED PCB FOOTPRINT
COMPONENT SIDE VIEW



NOTES:

THE SHADED AREA ON THE CUSTOMER BOARD ARE RECOMMENDED TO BE CLEAR OFF ANY VIA HOLE OR COMPONENT PAD.

REV. : C PAGE : 4

ORIGINATED BY
ANTON LIAO
DATE 2014-01-07
DRAWN BY
JESSE LI
DATE 2014-01-07

TITLE
MagJack®
(4 Cores, MDIX, CM Termination)
08B0-1X1T-36-F
PATENTED

PART NO. / DRAWING NO.
08B01X1T36-F
FILE NAME
08B01X1T36-F_C.DWG

STANDARD DIM. TOL. IN INCH	[] METRIC DIM. AS REF.
.X	UNIT : INCH [mm]
.XX	SCALE : N/A
.XXX ±0.004	SIZE : A4

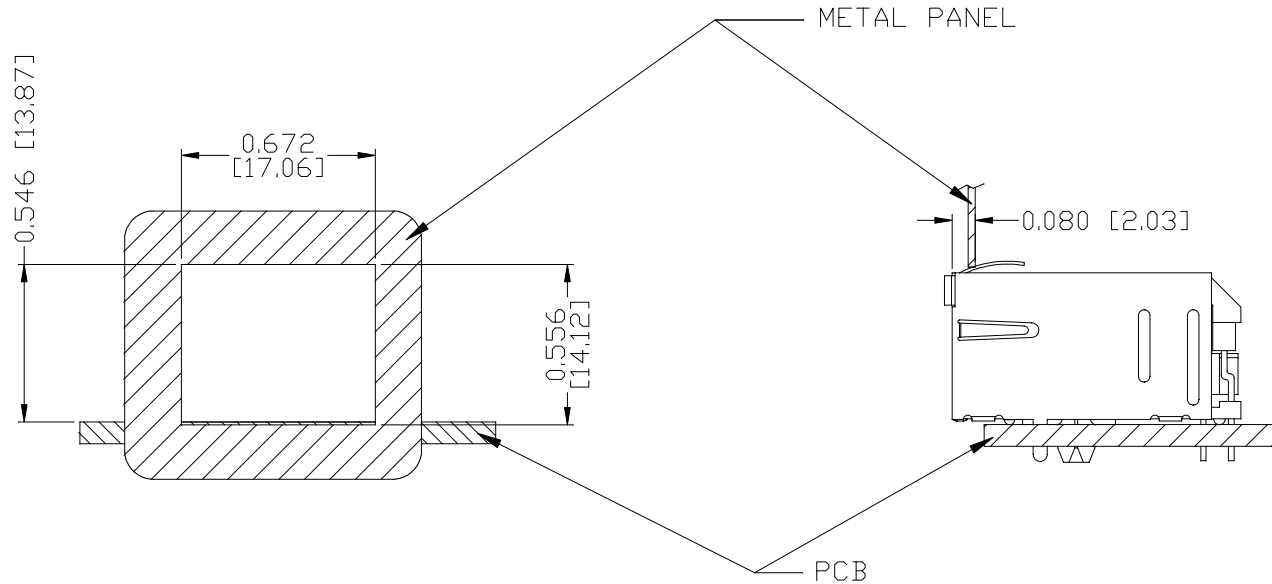


THE INFORMATION CONTAINED HEREIN IS CONSIDERED "PROPRIETARY" TO BEL FUSE INC. AND SHALL NOT BE COPIED, REPRODUCED OR DISCLOSED WITHOUT THE WRITTEN APPROVAL OF BEL FUSE INC.

RoHS



SUGGESTED PANEL OPENING



NOTE:

THE DISTANCE OF PANEL INSIDE SURFACE RELATIVE TO FRONT SURFACE OF PART IS ONLY A SUGGESTION. IN CASE THIS DISTANCE IS DIFFERENT, THE REQUIRED PANEL OPENING DIMENSIONS CHANGE ACCORDINGLY.

PACKING INFORMATION

PACKING TRAY : 0200-9999-D4(TOP)

0200-9999-D5(BOTTOM)

PACKING QUANTITY : 60 PCS FINISHED GOODS PER TRAY

11 TRAYS (660 PCS FINISHED GOODS) PER CARTON BOX

NOTE : CARDBOARDS ARE PLACED BETWEEN LAYERS OF PACKING TRAY INSIDE CARTON BOX

(INCLUDE THE UPPERMOST AND LOWERMOST TRAY)

REV. :	C	PAGE :	5
--------	---	--------	---

ORIGINATED BY ANTON LIAO DATE 2014-01-07	TITLE MagJack® (4 Cores, MDIX, CM Termination)	PART NO. / DRAWING NO. 08B01X1T36-F	STANDARD DIM.		[] METRIC DIM.
			TOL. IN INCH		AS REF.
			.X		UNIT : INCH [mm]
DRAWN BY JESSE LI DATE 2014-01-07	08B0-1X1T-36-F PATENTED	FILE NAME 08B01X1T36-F_C.DWG	.XX		SCALE : N/A
			.XXX	±0.004	SIZE : A4

