



Chipsmall Limited consists of a professional team with an average of over 10 year of expertise in the distribution of electronic components. Based in Hongkong, we have already established firm and mutual-benefit business relationships with customers from,Europe,America and south Asia,supplying obsolete and hard-to-find components to meet their specific needs.

With the principle of “Quality Parts,Customers Priority,Honest Operation,and Considerate Service”,our business mainly focus on the distribution of electronic components. Line cards we deal with include Microchip,ALPS,ROHM,Xilinx,Pulse,ON,Everlight and Freescale. Main products comprise IC,Modules,Potentiometer,IC Socket,Relay,Connector.Our parts cover such applications as commercial,industrial, and automotives areas.

We are looking forward to setting up business relationship with you and hope to provide you with the best service and solution. Let us make a better world for our industry!



Contact us

Tel: +86-755-8981 8866 Fax: +86-755-8427 6832

Email & Skype: info@chipsmall.com Web: www.chipsmall.com

Address: A1208, Overseas Decoration Building, #122 Zhenhua RD., Futian, Shenzhen, China



THE INFORMATION CONTAINED HEREIN IS CONSIDERED "PROPRIETARY" TO BEL FUSE INC. AND SHALL NOT BE COPIED, REPRODUCED OR DISCLOSED WITHOUT THE WRITTEN APPROVAL OF BEL FUSE INC.

RoHS



LED1 POLARITY			LED2 POLARITY		
PIN 7	PIN 8	COLOR	PIN 9	PIN 10	COLOR
-	+	YELLOW	-	+	GREEN
/	/	/	+	-	ORANGE

ELECTRICAL CHARACTERISTICS @ 25°C

URNS RATIO

TX 1CT : 1
RX 1CT : 1

DCL @ 100kHz/100mVRMS
8mA DC BIAS 350μH MIN.

INS. LOSS
1MHz TO 100MHz -1.0 dB MAX

RET. LOSS (MIN)
1MHz-30MHz -18 dB
30MHz-60MHz -18+20LOG(F/30MHz) dB
60MHz-80MHz -12 dB

CROSS TALK (TX - RX)
500kHz-100MHz -35 dB MIN

CM TO CM REJ
100kHz-100MHz -30 dB MIN

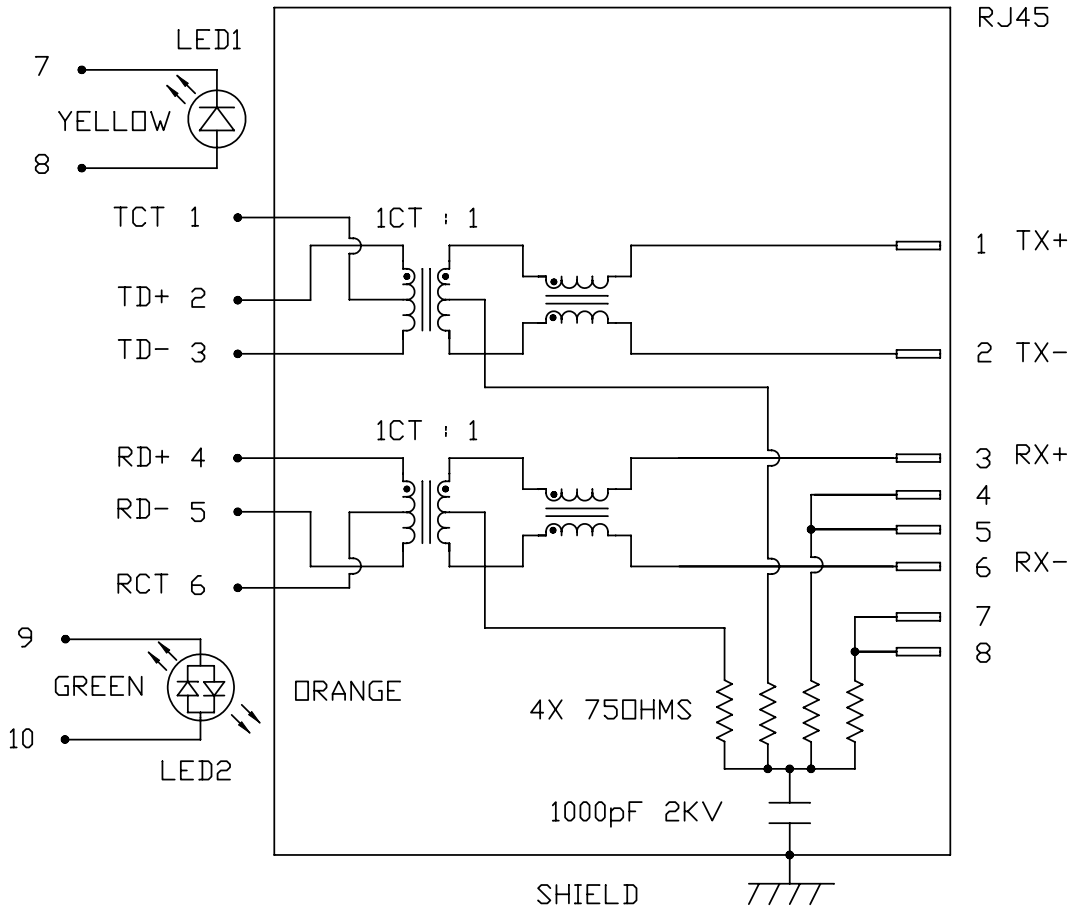
CM TO DM REJ
100kHz-100MHz -40 dB MIN

HIPOT (Isolation Voltage): 1500 Vrms
100% OF PRODUCTION TESTED TO COMPLY WITH
IEEE 802.3 ISOLATION REQUIREMENTS.

LED 1
VF (FORWARD VOLTAGE) IF=20mA YELLOW 2.1V TYP.
λD (DOMINANT WAVELENGTH) IF=20mA YELLOW 590nm TYP.

LED 2
VF (FORWARD VOLTAGE) IF=20mA ORANGE 2.0V TYP.
GREEN 2.2V TYP.
λD (DOMINANT WAVELENGTH) IF=20mA ORANGE 610nm TYP.
GREEN 565nm TYP.

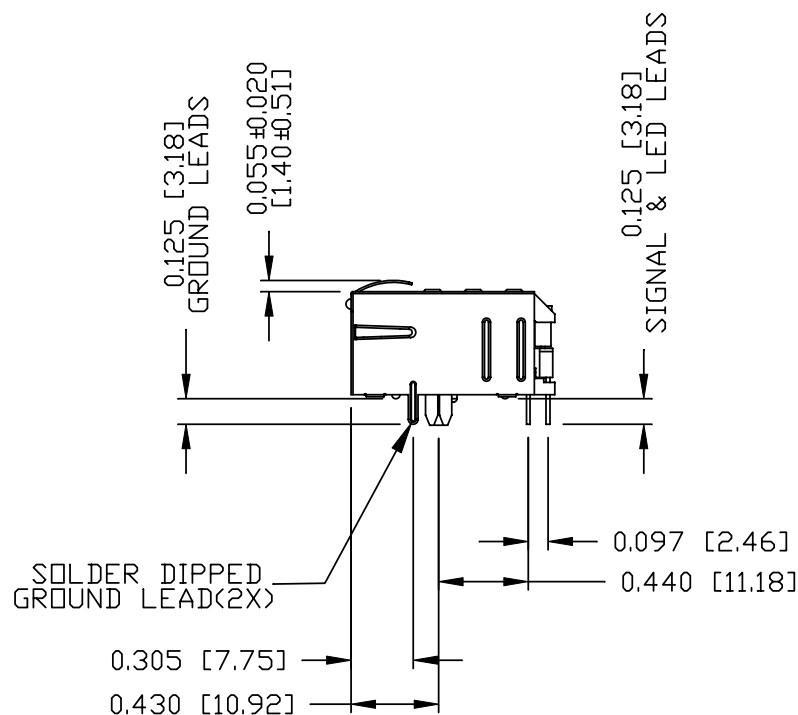
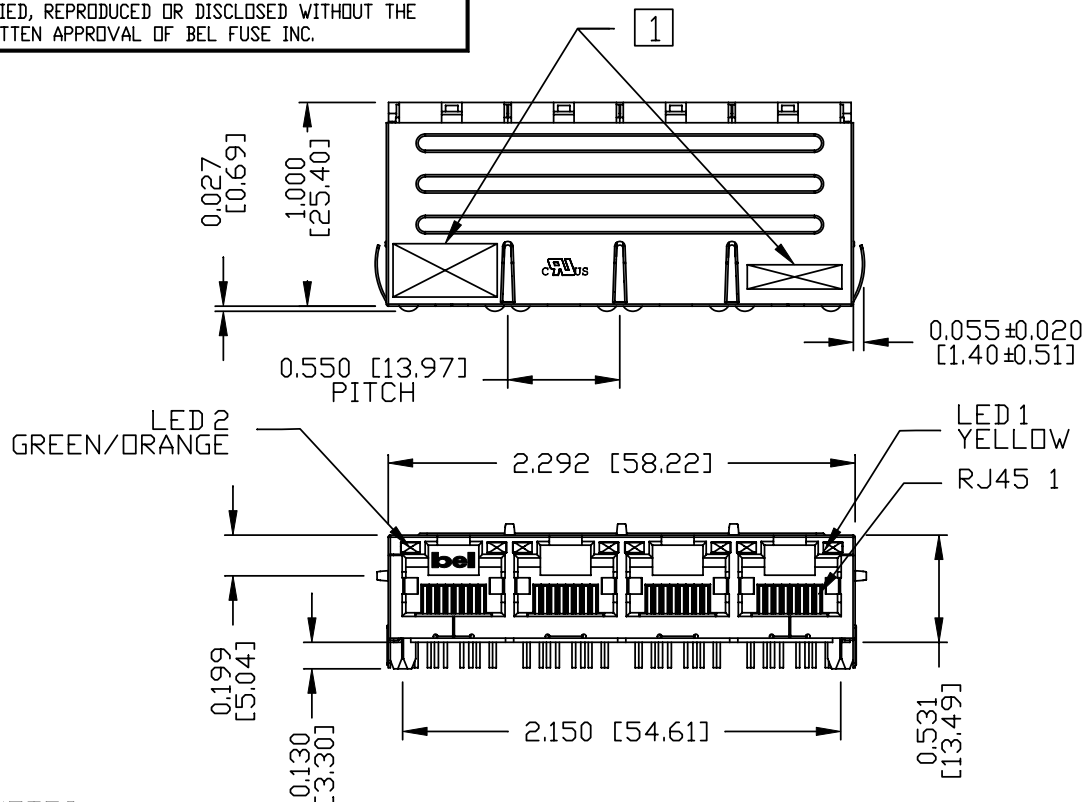
SCHEMATIC



ORIGINATED BY	DATE	TITLE	PART NO. / DRAWING NO.	STANDARD DIM.	[] METRIC DIM. AS REFERENCE	 COMPONENTS ON A CONNECTED PLANET	
CHOW WANCHUNG	2012-08-03	1X4 MagJack® (4 Cores, MDIX, CM Termination)	08B01X4T36-F	TOL. IN INCH	UNIT : INCH [mm]		REV. : B
DRAWN BY	DATE	08B0-1X4T-36-F PATENTED	FILE NAME	.X	SCALE : N/A		SIZE : A4
TAN QIGUANG	2012-08-03		08B01X4T36-F_B.DWG	.XX	⊕		PAGE : 2

THE INFORMATION CONTAINED HEREIN IS CONSIDERED "PROPRIETARY" TO BEL FUSE INC. AND SHALL NOT BE COPIED, REPRODUCED OR DISCLOSED WITHOUT THE WRITTEN APPROVAL OF BEL FUSE INC.

RoHS



NOTES:

PLASTIC HOUSING: THERMOPLASTIC PBT
 FLAMMABILITY RATING UL 94V-0
 CONTACTS PLATING: 15 MICRO-INCH HARD GOLD PLATING
 OR EQUIVALENT.
 PINS: TIN-COATED COPPER WIRE, DIA 0.018 INCH.
 METAL SHIELD: NICKEL PLATED ON COPPER ALLOY.
 (ALL GROUND LEADS ARE SOLDER DIPPED)

1. MARK PART WITH MFG LOGO, MFG NAME, PART NUMBER, DATE CODE AND PATENTED.

- 1. THE PRODUCT IS RoHS COMPLIANT.
- 2. THE PRODUCT IS PATENT PRODUCT. THE PATENT NUMBER IS U.S. PAT. 5,736,910.

ORIGINATED BY ANTON LIAO	DATE 2012-08-03	TITLE 1X4 MagJack® (4 Cores, MDIX, CM Termination)	PART NO. / DRAWING NO. 08B01X4T36-F	STANDARD DIM.		[] METRIC DIM. AS REFERENCE	
				TOL. IN INCH		UNIT : INCH [mm]	REV. : B
DRAWN BY HE ZHEN	DATE 2012-08-03	08B0-1X4T-36-F PATENTED	FILE NAME 08B01X4T36-F_B.DWG	.X	∠	SCALE : N/A	SIZE : A4
				.XX		∠	PAGE : 3
				.XXX		±0.010	

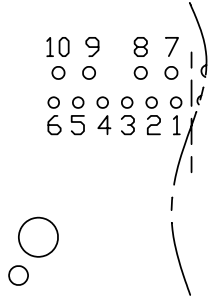


THE INFORMATION CONTAINED HEREIN IS CONSIDERED 'PROPRIETARY' TO BEL FUSE INC. AND SHALL NOT BE COPIED, REPRODUCED OR DISCLOSED WITHOUT THE WRITTEN APPROVAL OF BEL FUSE INC.

RoHS

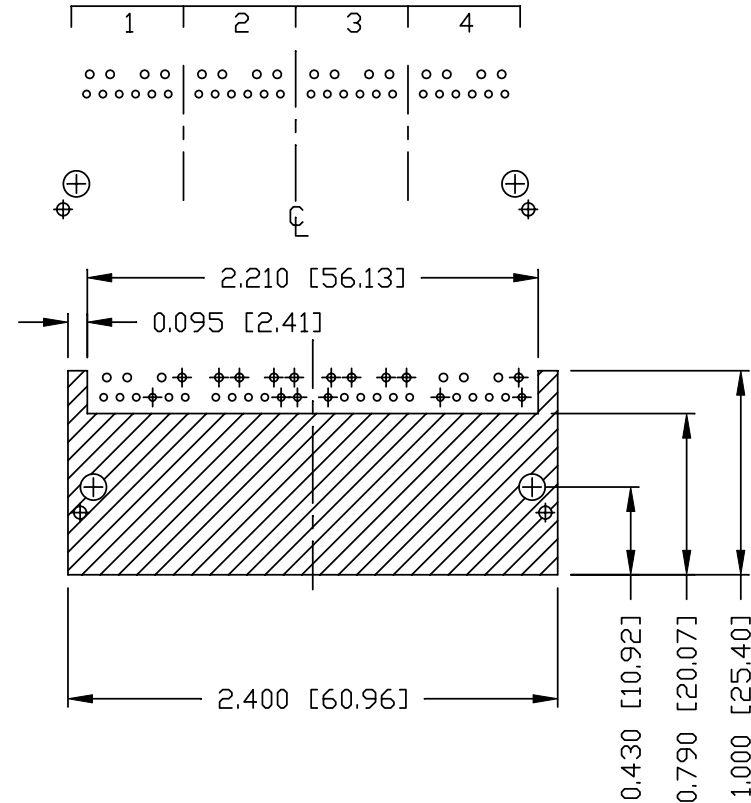


PIN ASSIGNMENT - EACH PORT
COMPONENT SIDE VIEW



6	RCT
5	RD -
4	RD +
3	TD -
2	TD +
1	TCT

RECOMMENDED PCB FOOTPRINT
COMPONENT SIDE VIEW



THE SHADED AREA ON THE CUSTOMER BOARD ARE RECOMMENDED TO BE CLEAR OFF ANY VIA HOLE OR COMPONENT PAD.

ORIGINATED BY ANTON LIAO	DATE 2012-08-03	TITLE 1X4 MagJack® (4 Cores, MDIX, CM Termination)	PART NO. / DRAWING NO. 08B01X4T36-F	STANDARD DIM.		[] METRIC DIM. AS REFERENCE		bel COMPONENTS FOR A CONNECTED PLANET
				TOL. IN INCH		UNIT : INCH [mm]	REV. : B	
DRAWN BY HE ZHEN	DATE 2012-08-03	08B0-1X4T-36-F PATENTED	FILE NAME 08B01X4T36-F_B.DWG	.X	/	SCALE : N/A	SIZE : A4	PAGE : 4
				.XX				
				.XXX	±0.004			

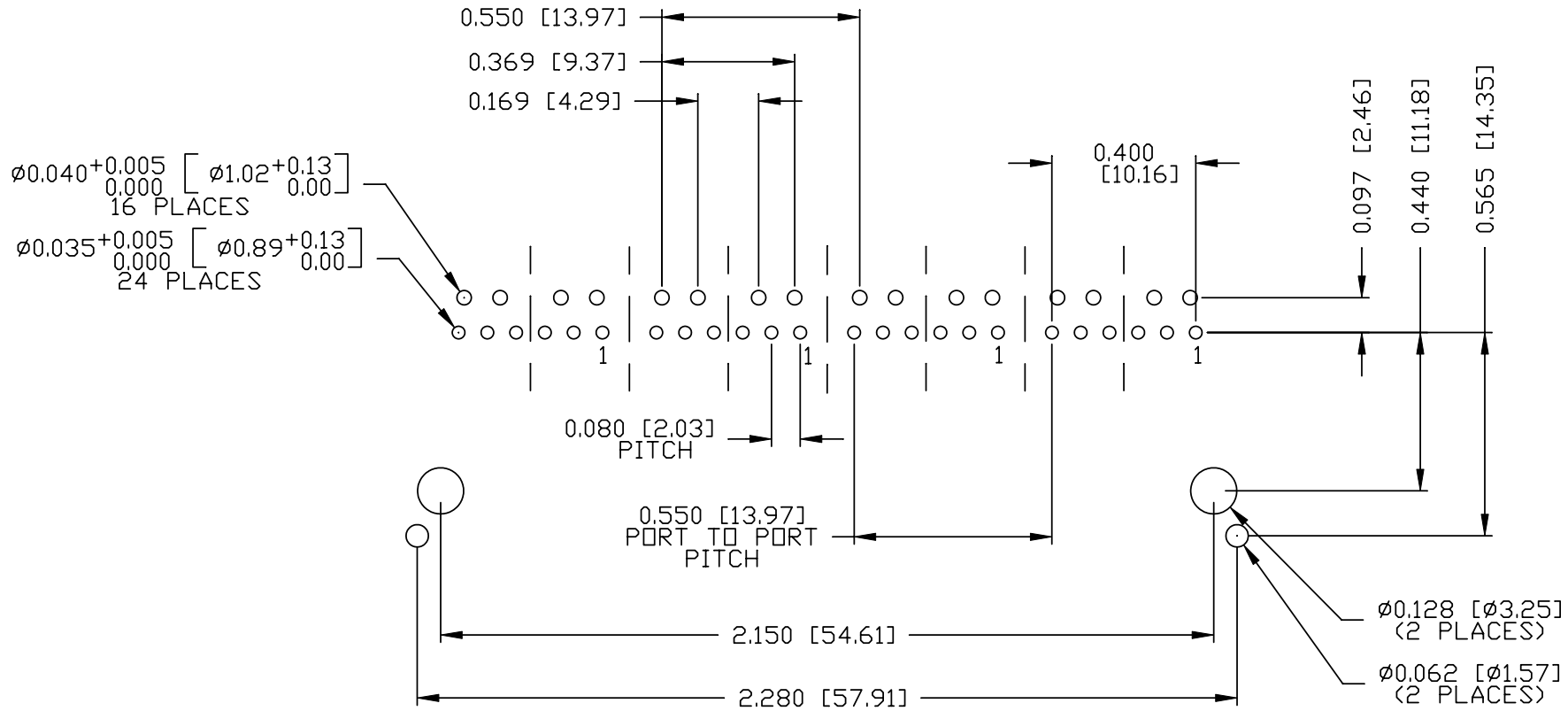
THE INFORMATION CONTAINED HEREIN IS CONSIDERED "PROPRIETARY" TO BEL FUSE INC. AND SHALL NOT BE COPIED, REPRODUCED OR DISCLOSED WITHOUT THE WRITTEN APPROVAL OF BEL FUSE INC.

RoHS



RECOMMENDED PCB FOOTPRINT

COMPONENT SIDE VIEW



ORIGINATED BY	DATE	TITLE	PART NO. / DRAWING NO.	STANDARD DIM.	[] METRIC DIM. AS REFERENCE	
ANTON LIAO	2012-08-03	1X4 MagJack®	08B01X4T36-F	TOL. IN INCH	UNIT : INCH [mm]	REV. : B
DRAWN BY	DATE	08B0-1X4T-36-F	FILE NAME	.X	SCALE : N/A	SIZE : A4
HE ZHEN	2012-08-03	PATENTED	08B01X4T36-F_B.DWG	.XX		PAGE : 5
				.XXX		

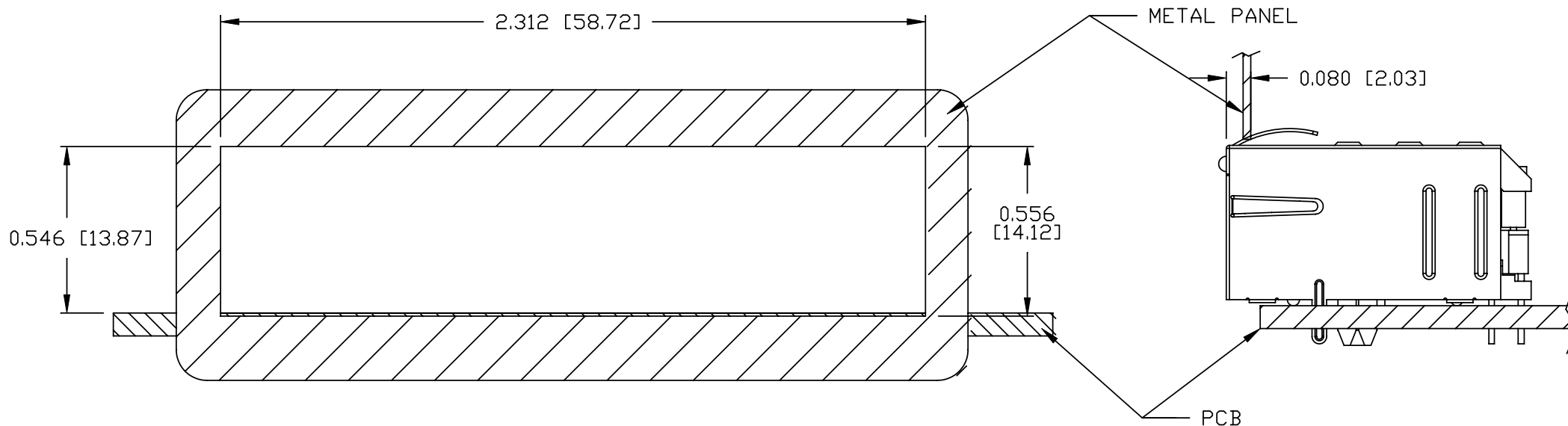


THE INFORMATION CONTAINED HEREIN IS CONSIDERED "PROPRIETARY" TO BEL FUSE INC. AND SHALL NOT BE COPIED, REPRODUCED OR DISCLOSED WITHOUT THE WRITTEN APPROVAL OF BEL FUSE INC.

RoHS



SUGGESTED PANEL OPENING



NOTES:

THE DISTANCE OF PANEL INSIDE SURFACE RELATIVE TO FRONT SURFACE OF PART IS ONLY A SUGGESTION. IN CASE THIS DISTANCE IS DIFFERENT, THE REQUIRED PANEL OPENING DIMENSIONS CHANGE ACCORDINGLY.

PACKING INFORMATION

PACKING TRAY : 0200-0148-17

PACKING QUANTITY : 30 PCS FINISHED GOODS PER TRAY.

10 TRAYS (300 PCS FINISHED GOODS) PER CARTON BOX.

NOTE : CARDBOARDS ARE PLACED BETWEEN LAYERS OF PACKING TRAY INSIDE CARTON BOX.

(INCLUDE THE UPPERMOST AND LOWERMOST TRAY)

ORIGINATED BY ANTON LIAO	DATE 2012-08-03	TITLE 1X4 MagJack® (4 Cores, MDIX, CM Termination)	PART NO. / DRAWING NO. 08B01X4T36-F	STANDARD DIM.		[] METRIC DIM. AS REFERENCE		bel COMPONENTS FOR A CONNECTED PLANET
				TOL. IN INCH		UNIT : INCH [mm]	REV. : B	
DRAWN BY HE ZHEN	DATE 2012-08-03	08B0-1X4T-36-F PATENTED	FILE NAME 08B01X4T36-F_B.DWG	.X	/	SCALE : N/A	SIZE : A4	PAGE : 6
				.XX		⊕	←	
				.XXX		±0.004		