



Chipsmall Limited consists of a professional team with an average of over 10 year of expertise in the distribution of electronic components. Based in Hongkong, we have already established firm and mutual-benefit business relationships with customers from,Europe,America and south Asia,supplying obsolete and hard-to-find components to meet their specific needs.

With the principle of "Quality Parts,Customers Priority,Honest Operation,and Considerate Service",our business mainly focus on the distribution of electronic components. Line cards we deal with include Microchip,ALPS,ROHM,Xilinx,Pulse,ON,Everlight and Freescale. Main products comprise IC,Modules,Potentiometer,IC Socket,Relay,Connector.Our parts cover such applications as commercial,industrial, and automotives areas.

We are looking forward to setting up business relationship with you and hope to provide you with the best service and solution. Let us make a better world for our industry!



Contact us

Tel: +86-755-8981 8866 Fax: +86-755-8427 6832

Email & Skype: info@chipsmall.com Web: www.chipsmall.com

Address: A1208, Overseas Decoration Building, #122 Zhenhua RD., Futian, Shenzhen, China



THE INFORMATION CONTAINED HEREIN IS CONSIDERED "PROPRIETARY" TO BEL FUSE INC. AND SHALL NOT BE COPIED, REPRODUCED OR DISCLOSED WITHOUT THE WRITTEN APPROVAL OF BEL FUSE INC.

RoHS



ELECTRICAL CHARACTERISTICS @ 25°C

URNS RATIO

TX 1CT : 1
RX 1CT : 1

QCL @ 100kHz/100mVRMS

8mA DC BIAS 350µH MIN.

INS. LOSS

1MHz TO 100MHz -1.0 dB MAX

RET. LOSS (MIN)

1MHz-30MHz -18 dB
30MHz-60MHz -18+20LOG(F/30MHz) dB
60MHz-80MHz -12 dB

CROSS TALK (TX - RX)

500kHz - 100 MHz -35 dB MIN

CM TO CM REJ

100kHz - 100 MHz -30 dB MIN

CM TO DM REJ

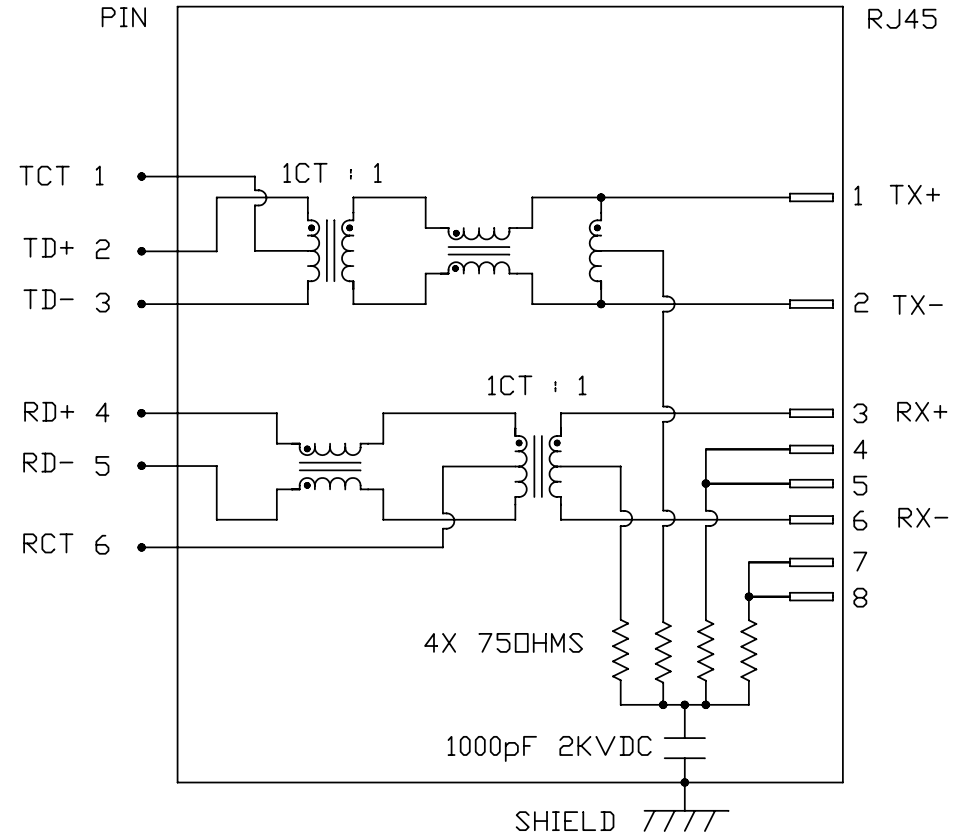
100kHz - 100 MHz -40 dB MIN

HIPOT (Isolation Voltage):

1500 Vrms

100% OF PRODUCTION TESTED TO COMPLY WITH IEEE 802.3 ISOLATION REQUIREMENTS.

SCHEMATIC



ORIGINATED BY	DATE
CHOW WANCHUNG	2012-08-29
DRAWN BY	DATE
TAN QIGUANG	2012-08-29

TITLE	MagJack © without LED (CM Termination)
	08B1-1XX1-03-F PATENTED

PART NO. / DRAWING NO.	08B11XX103-F
FILE NAME	08B11XX103-F_D.DWG

STANDARD DIM. TOL. IN INCH	.X .XX .XXX
----------------------------	-------------------

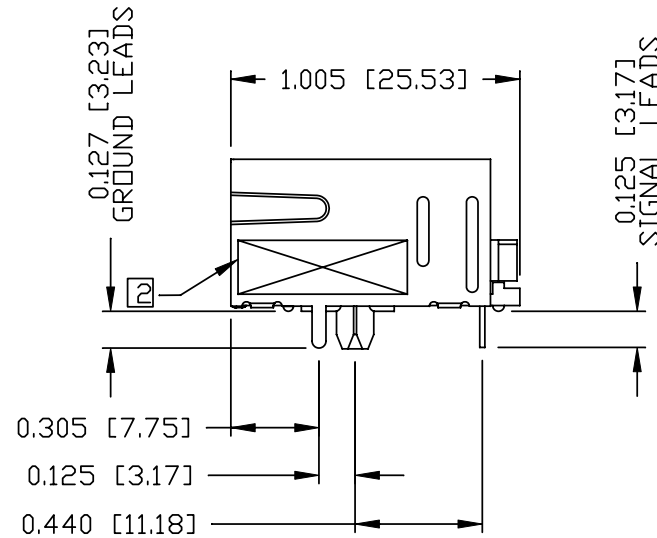
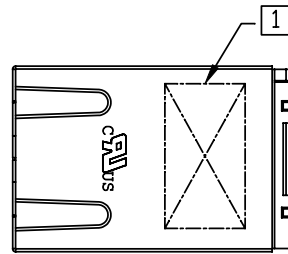
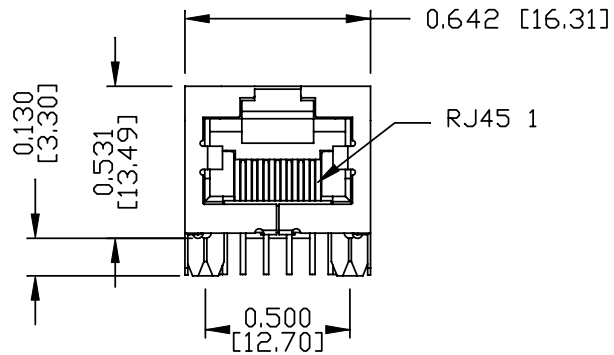
[] METRIC DIM. AS REFERENCE	UNIT : INCH [mm]	REV. : D
	SCALE : N/A	SIZE : A4
		PAGE : 2



THE INFORMATION CONTAINED HEREIN IS CONSIDERED "PROPRIETARY" TO BEL FUSE INC. AND SHALL NOT BE COPIED, REPRODUCED OR DISCLOSED WITHOUT THE WRITTEN APPROVAL OF BEL FUSE INC.

MECHANICAL SPECIFICATION

RoHS



NOTES:

- PLASTIC HOUSING: THERMOPLASTIC PBT
FLAMMABILITY RATING UL 94V-0
- CONTACTS PLATING: 15 MICRO-INCH HARD GOLD PLATING
OR EQUIVALENT.
- PINS: TIN-COATED COPPER WIRE, DIA 0.018 INCH.
- METAL SHIELD: NICKEL PRE-PLATED ON COPPER ALLOY.
(ALL GROUND LEADS ARE SOLDER DIPPED)
- MARK PART WITH MFG LOGO, MFG NAME, PART NUMBER, AND DATE CODE.

c UL RECOGNIZED - FILE #E196366 AND E169987.

"PATENTED" MARKING.

c UL RECOGNIZED - FILE #E196366 AND E169987.

- 3. THE PRODUCT IS RoHS COMPLIANT.
- 4. JACK CAVITY CONFORMS TO FCC RULES AND REGULATIONS.
PART 68 SUBPART F.
- 5. THE PRODUCT IS PATENTED. THE PATENT NUMBER IS
U.S. PAT. 5,736,910.

ORIGINATED BY ANTON LIAO	DATE 2012-08-29	TITLE MagJack® without LED (CM Termination) 08B1-1XX1-03-F PATENTED	PART NO. / DRAWING NO. 08B11XX103-F		STANDARD DIM. TOL. IN INCH		[] METRIC DIM. AS REFERENCE	
			FILE NAME 08B11XX103-F_D.DWG		.X		UNIT : INCH [mm]	REV. : D
DRAWN BY HE ZHEN	DATE 2012-08-29				.XX		SCALE : N/A	SIZE : A4
					.XXX	±0.010		PAGE : 3

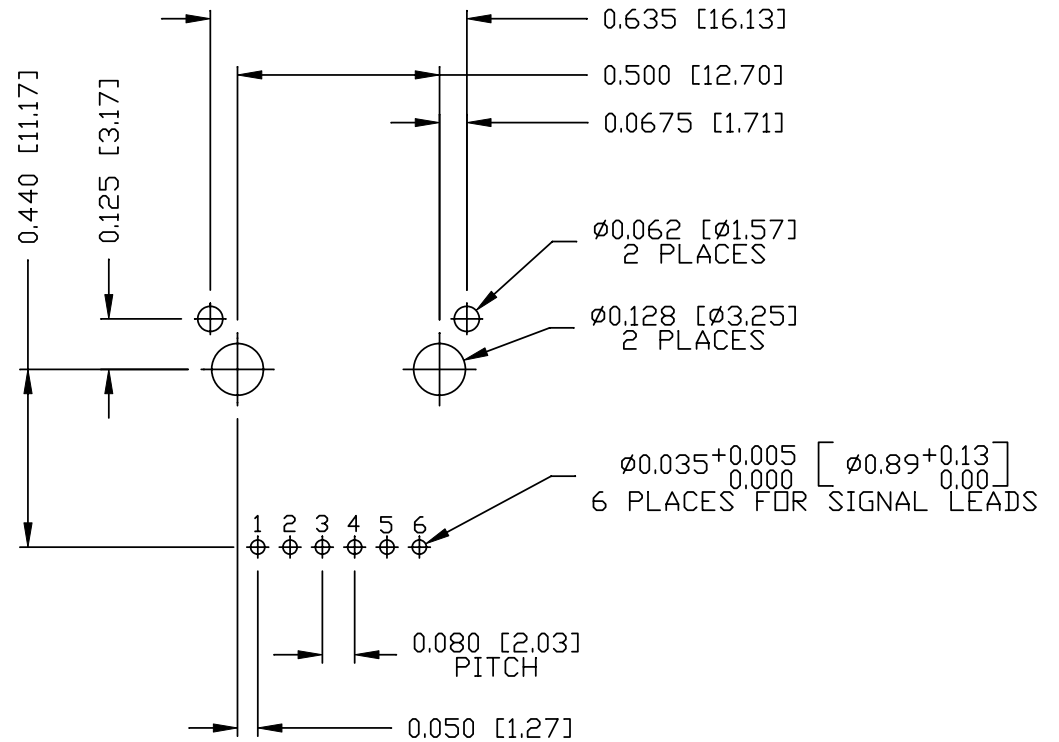
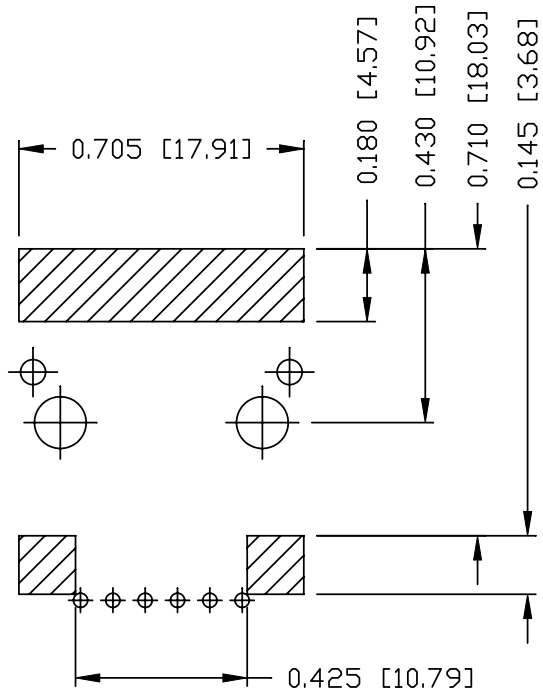


THE INFORMATION CONTAINED HEREIN IS CONSIDERED "PROPRIETARY" TO BEL FUSE INC. AND SHALL NOT BE COPIED, REPRODUCED OR DISCLOSED WITHOUT THE WRITTEN APPROVAL OF BEL FUSE INC.

RoHS



RECOMMENDED PCB FOOTPRINT
COMPONENT SIDE VIEW



NOTES:

THE SHADED AREA ON THE CUSTOMER BOARD ARE RECOMMENDED TO BE CLEAR OFF ANY VIA HOLE OR COMPONENT PAD.

ORIGINATED BY ANTON LIAO	DATE 2012-08-29	TITLE MagJack® without LED (CM Termination) 08B1-1XX1-03-F PATENTED	PART NO. / DRAWING NO. 08B11XX103-F		STANDARD DIM. TOL. IN INCH	[] METRIC DIM. AS REFERENCE	
	DRAWN BY HE ZHEN		DATE 2012-08-29	FILE NAME 08B11XX103-F_D.DWG	.X .XX .XXX	UNIT : INCH [mm] SCALE : N/A	REV. : D SIZE : A4 PAGE : 4

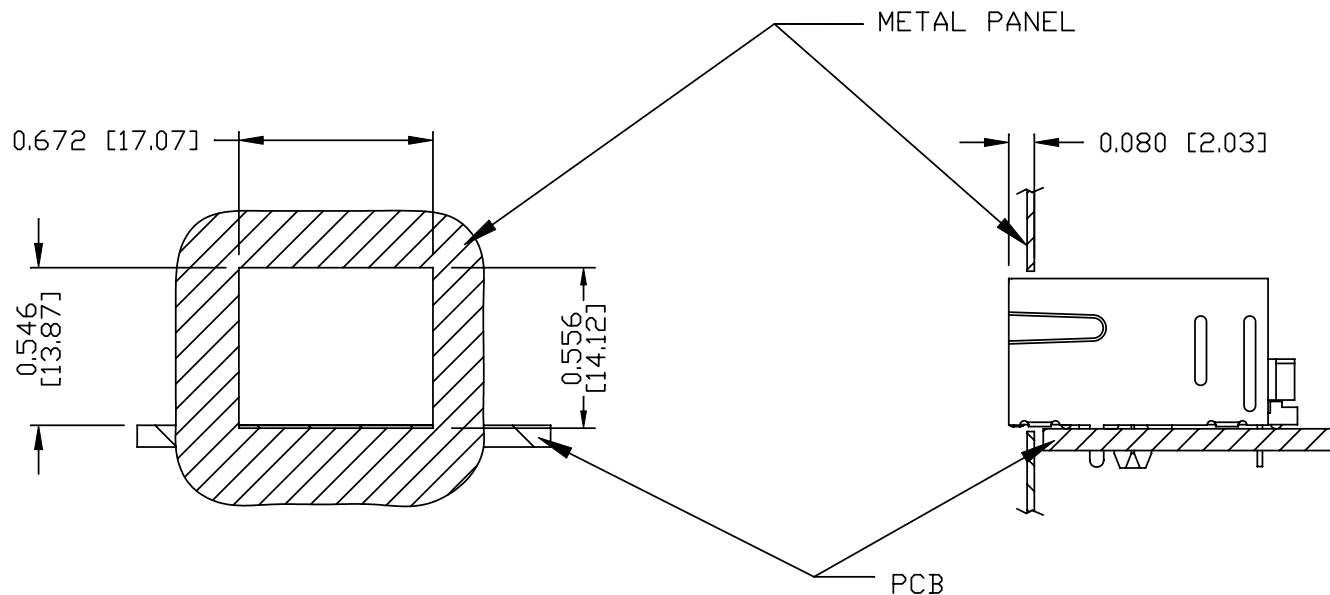


THE INFORMATION CONTAINED HEREIN IS CONSIDERED "PROPRIETARY" TO BEL FUSE INC. AND SHALL NOT BE COPIED, REPRODUCED OR DISCLOSED WITHOUT THE WRITTEN APPROVAL OF BEL FUSE INC.

RoHS



SUGGESTED PANEL OPENING



NOTE:

THE DISTANCE OF PANEL INSIDE SURFACE RELATIVE TO FRONT SURFACE OF PART IS ONLY A SUGGESTION. IN CASE THIS DISTANCE IS DIFFERENT, THE REQUIRED PANEL OPENING DIMENSIONS CHANGE ACCORDINGLY.

PACKING INFORMATION

PACKING TUBE : 0200-0149-01

PACKING QUANTITY : 30 PCS FINISHED GOODS PER TUBE

20 TUBES (600 PCS FINISHED GOODS) PER CARTON BOX

ORIGINATED BY ANTON LIAO	DATE 2012-08-29	TITLE MagJack® without LED (CM Termination)	PART NO. / DRAWING NO. 08B11XX103-F	STANDARD DIM.		[] METRIC DIM. AS REFERENCE		bel
				TOL. IN INCH		UNIT : INCH [mm]	REV. : D	
DRAWN BY HE ZHEN	DATE 2012-08-29	08B1-1XX1-03-F PATENTED	FILE NAME 08B11XX103-F_D.DWG	.X	/	SCALE : N/A	SIZE : A4	COMPONENTS FOR A CONNECTED PLANET
				.XX				
				.XXX				