



Chipsmall Limited consists of a professional team with an average of over 10 year of expertise in the distribution of electronic components. Based in Hongkong, we have already established firm and mutual-benefit business relationships with customers from,Europe,America and south Asia,supplying obsolete and hard-to-find components to meet their specific needs.

With the principle of “Quality Parts,Customers Priority,Honest Operation,and Considerate Service”,our business mainly focus on the distribution of electronic components. Line cards we deal with include Microchip,ALPS,ROHM,Xilinx,Pulse,ON,Everlight and Freescale. Main products comprise IC,Modules,Potentiometer,IC Socket,Relay,Connector.Our parts cover such applications as commercial,industrial, and automotives areas.

We are looking forward to setting up business relationship with you and hope to provide you with the best service and solution. Let us make a better world for our industry!



## Contact us

Tel: +86-755-8981 8866 Fax: +86-755-8427 6832

Email & Skype: info@chipsmall.com Web: www.chipsmall.com

Address: A1208, Overseas Decoration Building, #122 Zhenhua RD., Futian, Shenzhen, China

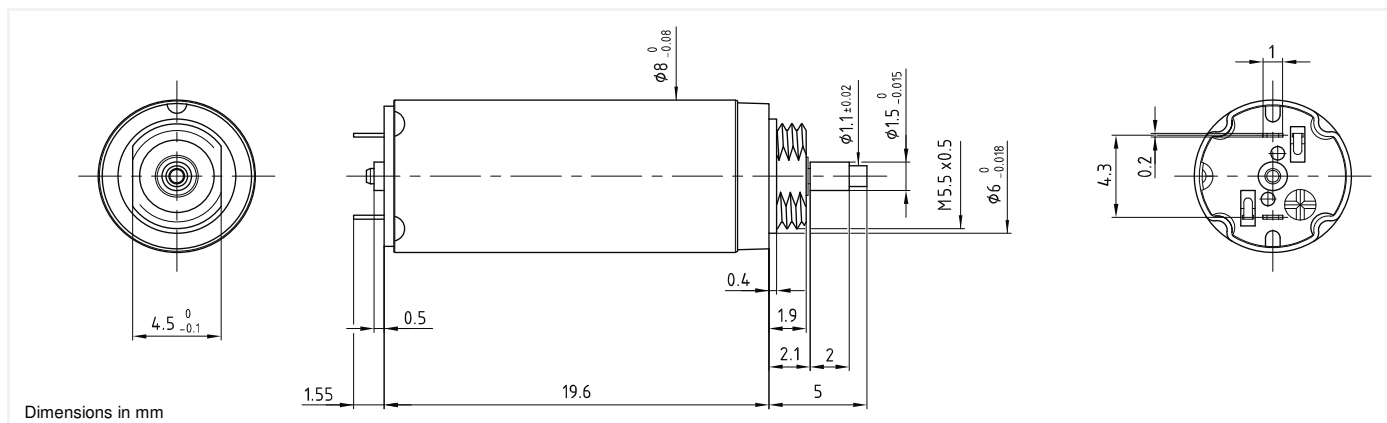


08G61

Precious metal commutation

Ø8mm

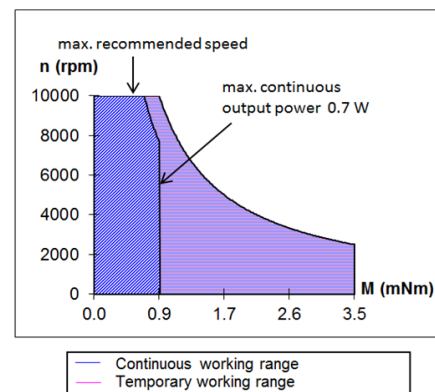
0.95 mNm



08G61 \*\*\*\* .3

Electrical Data	****	107	205C	
1 Nominal Voltage	V	3	9	Volt
2 No-Load Speed	$n_0$	9,780	11,760	rpm
3 No-Load Current	$I_0$	6.0	2.5	mA
4 Terminal Resistance	R	11.8	54.0	$\Omega$
5 Output Power	$P_{2max.}$	0.6	0.7	W
6 Stall Torque	mNm	0.73 (0.11)	1.2 (0.17)	mNm (oz-in)
7 Efficiency	$\eta_{max.}$	72	77	%
8 Max Continuous Speed	$n_{e max.}$	10,000	10,000	rpm
9 Max Continuous Torque	$M_{e max.}$	0.8 (0.14)	0.95 (0.14)	mNm (oz-in)
10 Max Continuous Current	$I_{e max.}$	0.29	0.13	A
11 Back-EMF Constant	$k_E$	0.30	0.75	mV/rpm
12 Torque Constant	$k_M$	2.86	7.20	mNm/A
13 Motor Regulation	$R/k^2$	1,440.0	1,040.0	$10^3/Nms$
14 Friction Torque	$T_F$	0.02 (0.01)	0.02 (0.01)	mNm (oz-in)
15 Rotor Inductance	L	0.03	0.16	mH
16 Mechanical Time Constant	$t_m$	5.0	3.6	ms
17 Rotor Inertia	J	0.04	0.04	$g.cm^2$
General Data				
18 Thermal Resistance (rotor/body)	$R_{th1} / R_{th2}$	18/85		$^{\circ}C/W$
19 Thermal Time Constant (rotor/stator)	$t_{w1}/t_{w2}$	5/100		S
20 Operating Temperature Range:	motor	-30 $^{\circ}C$ to 85 $^{\circ}C$ (-22 $^{\circ}F$ to 185 $^{\circ}F$ )		$^{\circ}C$ ( $^{\circ}F$ )
	rotor	100 $^{\circ}C$ (212 $^{\circ}F$ )		$^{\circ}C$ ( $^{\circ}F$ )
21 Shaft Load Max.:		With sleeve bearings		
(2 mm from bearing)	-radial	0.5 (1.8)		N (oz)
	-axial	30 (107.9)		N (oz)
22 Shaft Play:	-radial	<0.015 (0.0006)		mm (inch)
	-axial	0.100 (0.0039)		mm (inch)
23 Weight	g	4.6 (0.17)		g (oz)

Execution Table	
Gearbox	Single Shaft
R10	5
MR2	Upon Request



V121616