



Chipsmall Limited consists of a professional team with an average of over 10 year of expertise in the distribution of electronic components. Based in Hongkong, we have already established firm and mutual-benefit business relationships with customers from,Europe,America and south Asia,supplying obsolete and hard-to-find components to meet their specific needs.

With the principle of “Quality Parts,Customers Priority,Honest Operation,and Considerate Service”,our business mainly focus on the distribution of electronic components. Line cards we deal with include Microchip,ALPS,ROHM,Xilinx,Pulse,ON,Everlight and Freescale. Main products comprise IC,Modules,Potentiometer,IC Socket,Relay,Connector.Our parts cover such applications as commercial,industrial, and automotives areas.

We are looking forward to setting up business relationship with you and hope to provide you with the best service and solution. Let us make a better world for our industry!



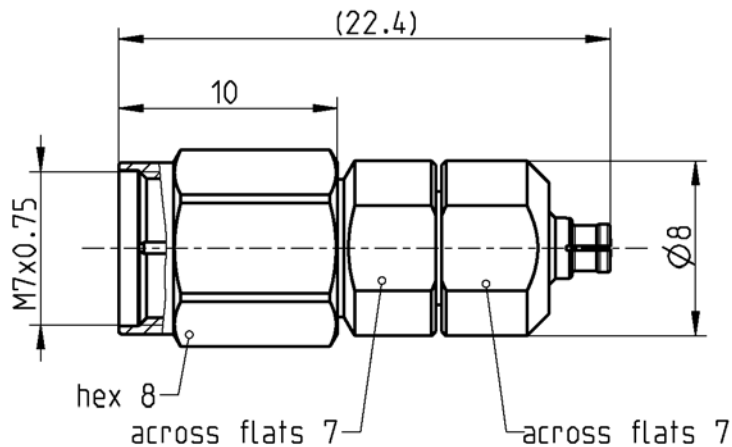
Contact us

Tel: +86-755-8981 8866 Fax: +86-755-8427 6832

Email & Skype: info@chipsmall.com Web: www.chipsmall.com

Address: A1208, Overseas Decoration Building, #122 Zhenhua RD., Futian, Shenzhen, China





All dimensions are in mm; tolerances according to ISO 2768 m-H

Interface

RPC-1.85 according to
RPC-1.85 mechanically compatible with
MINI-SMP according to

IEC 61169-32
RPC-2.40
MIL-STD-348A, Fig. 328
Mateable with GPPO™ (Gilbert Engineering Co., Inc.)
and SSMP™ (Connectors Devices, Inc.)

Documents

N/A

Material and plating

Connector parts

Center contact
Outer contact RPC-1.85
Outer contact MINI-SMP
Coupling nut RPC-1.85
Dielectric

Material

Beryllium copper
Stainless steel
Beryllium copper
Stainless steel
PEEK

Plating

Gold, min. 1.27 µm, over chemical nickel
Passivated
Gold, min. 0.8 µm, over chemical nickel
Passivated

ADAPTOR
RPC-1.85 PLUG – MINI-SMP JACK

08S118-K00S3

Electrical data

Impedance	50 Ω
Frequency	DC to 65 GHz
Return loss	≥ 30 dB, DC to 12 GHz ≥ 18 dB, 12 GHz to 50 GHz ≥ 15 dB, 50 GHz to 65 GHz
Insertion loss	≤ 0.05 x √f(GHz) dB
Insulation resistance	≥ 5 GΩ
Center contact resistance RPC-1.85	≤ 4.0 mΩ
Outer contact resistance RPC-1.85	≤ 2.5 mΩ
Center contact resistance MINI-SMP	≤ 6.0 mΩ
Outer contact resistance MINI-SMP	≤ 2.0 mΩ
Test voltage	500 V rms
Working voltage	150 V rms

Mechanical data

Mating cycles RPC-1.85	≥ 500
Mating cycles MINI-SMP	
- if mating part is smooth bore	≥ 500
- if mating part is full detent	≥ 100
Center contact captivation	≥ 20 N
Coupling test torque RPC-1.85	1.65 Nm
Recommended torque RPC-1.85	0.80 Nm to 1.10 Nm
Engagement force MINI-SMP	
- if mating part is smooth bore	11 N max.
- if mating part is full detent	19 N max.
Disengagement force MINI-SMP	
- if mating part is smooth bore	11 N max.
- if mating part is full detent	29 N max.

Environmental data

Temperature range	-40°C to +85°C
Thermal shock	IEC 61169-1, Subclause 9.4.4
Corrosion	IEC 61169-1, Subclause 9.4.6
Vibration	IEC 61169-1, Subclause 9.3.3
Shock	IEC 61169-1, Subclause 9.3.14
Moisture resistance	IEC 61169-1, Subclause 9.4.3
2002/95/EC (RoHS)	compliant

Tooling

N/A

Packing

Standard	1 pce in box
Weight	5.6 g/pce

While the information has been carefully compiled to the best of our knowledge, nothing is intended as representation or warranty on our part and no statement herein shall be construed as recommendation to infringe existing patents. In the effort to improve our products, we reserve the right to make changes judged to be necessary.

Draft	Date	Approved	Date	Rev.	Engineering change number	Name	Date
Herbert Babinger	05/01/05	Krautenbacher J.	19/10/06	b00	06-0478	B. Dandl	19/10/06
Rosenberger Hochfrequenztechnik GmbH & Co. KG P.O.Box 1260 D-84526 Tittmoning Germany www.rosenberger.de				Tel.: +49 8684 18-0 Fax: +49 8684 18-499 email: info@rosenberger.de			Page 2 / 2