



Chipsmall Limited consists of a professional team with an average of over 10 year of expertise in the distribution of electronic components. Based in Hongkong, we have already established firm and mutual-benefit business relationships with customers from,Europe,America and south Asia,supplying obsolete and hard-to-find components to meet their specific needs.

With the principle of “Quality Parts,Customers Priority,Honest Operation,and Considerate Service”,our business mainly focus on the distribution of electronic components. Line cards we deal with include Microchip,ALPS,ROHM,Xilinx,Pulse,ON,Everlight and Freescale. Main products comprise IC,Modules,Potentiometer,IC Socket,Relay,Connector.Our parts cover such applications as commercial,industrial, and automotives areas.

We are looking forward to setting up business relationship with you and hope to provide you with the best service and solution. Let us make a better world for our industry!



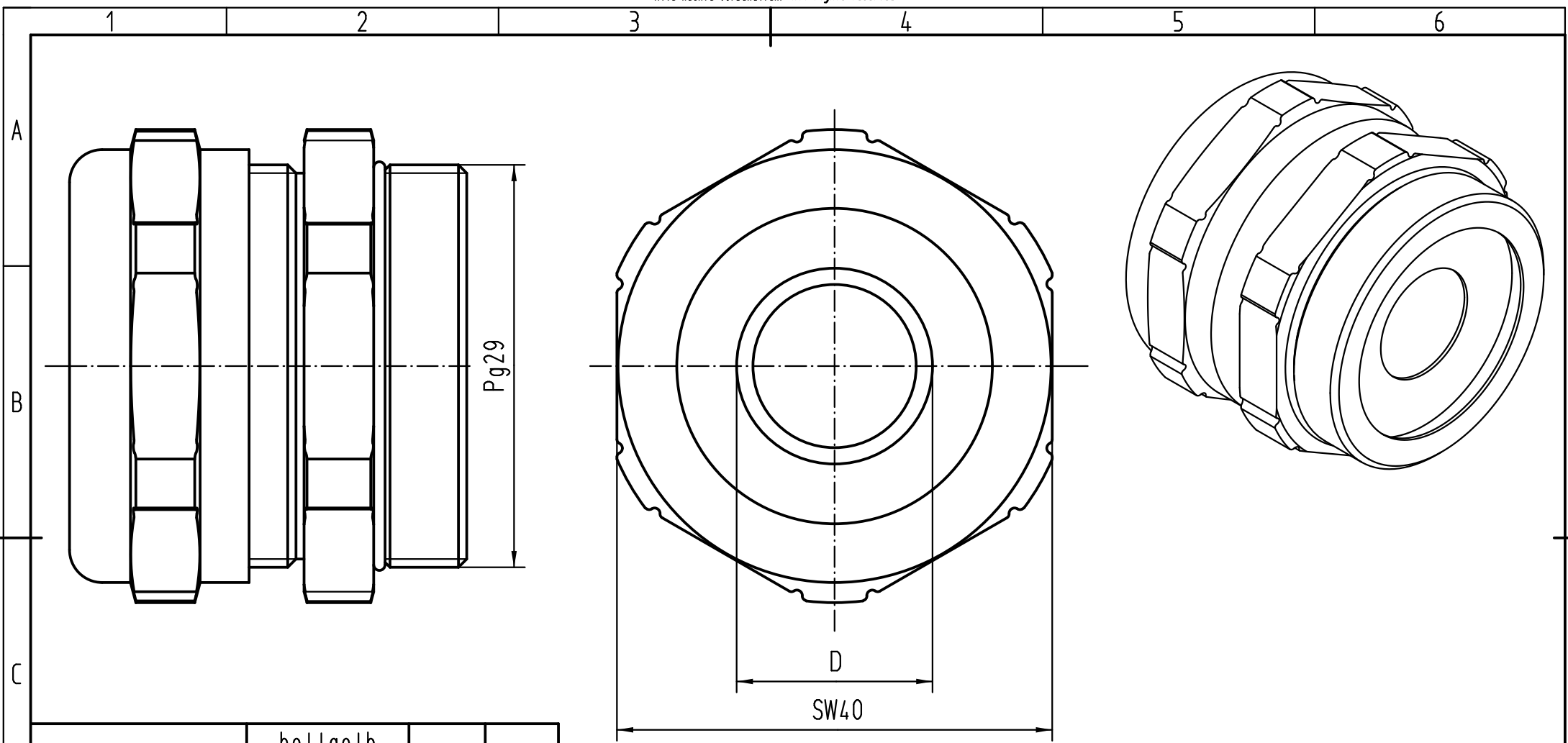
Contact us

Tel: +86-755-8981 8866 Fax: +86-755-8427 6832

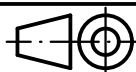
Email & Skype: info@chipsmall.com Web: www.chipsmall.com

Address: A1208, Overseas Decoration Building, #122 Zhenhua RD., Futian, Shenzhen, China





09 00 000 5097	hellgelb light yellow	24	28
09 00 000 5096	orange orange	20	25
09 00 000 5095	braun brown	17	21
09 00 000 5094	blau blue	14	18
Bestell Nr/ Part No	Farbe/colour	D min.	D max.



ALL Dimensions in mm
Original Size DIN A 4

Techn. Character.			
	Dat.	Name	Maßstab/ Scale
Detail.	17.12.98	KR	2:1
Insp.		SDT.	
Stand.			

Nicht tolerierte Maße/ Free size tolerances

UNI Dichtverschraubung /
universal cable protection

413153	27.08.07	Bor
25435		
Mod.	Dat.	Name

HARTING Electric GmbH & Co. KG
D-32339 Espelkamp



TB 09 00 000 509.
Sub. TB 09 00 000 509. v. 03.02.93

Blatt/ page
2 / 3