



Chipsmall Limited consists of a professional team with an average of over 10 year of expertise in the distribution of electronic components. Based in Hongkong, we have already established firm and mutual-benefit business relationships with customers from,Europe,America and south Asia,supplying obsolete and hard-to-find components to meet their specific needs.

With the principle of “Quality Parts,Customers Priority,Honest Operation,and Considerate Service”,our business mainly focus on the distribution of electronic components. Line cards we deal with include Microchip,ALPS,ROHM,Xilinx,Pulse,ON,Everlight and Freescale. Main products comprise IC,Modules,Potentiometer,IC Socket,Relay,Connector.Our parts cover such applications as commercial,industrial, and automotives areas.

We are looking forward to setting up business relationship with you and hope to provide you with the best service and solution. Let us make a better world for our industry!



## Contact us

Tel: +86-755-8981 8866 Fax: +86-755-8427 6832

Email & Skype: info@chipsmall.com Web: www.chipsmall.com

Address: A1208, Overseas Decoration Building, #122 Zhenhua RD., Futian, Shenzhen, China

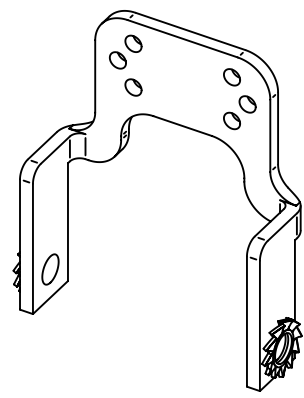
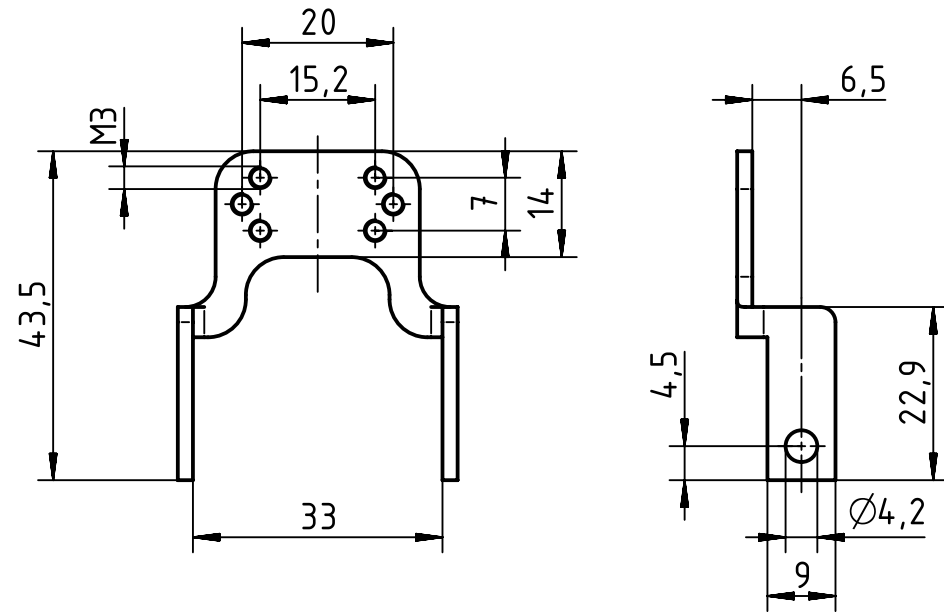


A

B

C

D



fits for Han 6E, 10EE and 24DD inserts  
for combination with Han 6B housings and hoods, high construction

range of delivery: lever with M4 screws and washer to mount on the insert

material: steel, zinc-plated

pinhole image for cable clamp TB 09 00 0005341 and TB 09 00 000 5342

	All rights reserved Department EL PD - DE	All Dimensions in mm Original Size DIN A4		Scale 1:1	Free size tol.		Ref.	
								Sub.
HARTING Electric GmbH & Co. KG D-32339 Espelkamp		Created by RULLKOETTER	Inspected by BERGHORN	Standardisation TIEMANNA	Date 2014-12-01	State Final Release		
		Title Ground Terminal Size 6B					Doc-Key / ECM-Nr. 100132391/UGD/003/A 500000082497	
		Type TB	Number 09 00 000 5206			Rev. A	Page 1/1	