



Chipsmall Limited consists of a professional team with an average of over 10 year of expertise in the distribution of electronic components. Based in Hongkong, we have already established firm and mutual-benefit business relationships with customers from,Europe,America and south Asia,supplying obsolete and hard-to-find components to meet their specific needs.

With the principle of “Quality Parts,Customers Priority,Honest Operation,and Considerate Service”,our business mainly focus on the distribution of electronic components. Line cards we deal with include Microchip,ALPS,ROHM,Xilinx,Pulse,ON,Everlight and Freescale. Main products comprise IC,Modules,Potentiometer,IC Socket,Relay,Connector.Our parts cover such applications as commercial,industrial, and automotives areas.

We are looking forward to setting up business relationship with you and hope to provide you with the best service and solution. Let us make a better world for our industry!



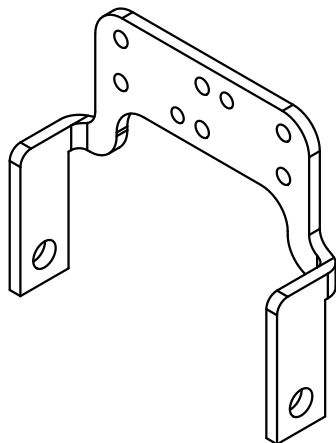
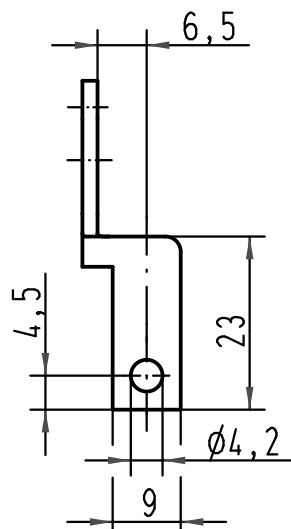
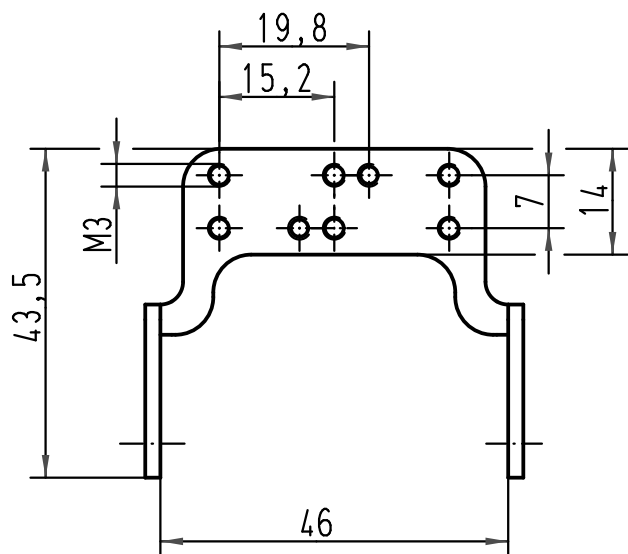
Contact us

Tel: +86-755-8981 8866 Fax: +86-755-8427 6832

Email & Skype: info@chipsmall.com Web: www.chipsmall.com

Address: A1208, Overseas Decoration Building, #122 Zhenhua RD., Futian, Shenzhen, China





passend für Han 10E, 18EE und 42DD Einsätze zur Kombination mit Han 10B Anbaugehäuse und Tüllengehäuse, hohe Bauform/
fits for Han 10E, 18EE and 42DD inserts for combination with Han 10B housings and hoods, high construction

Lieferumfang: Bügel mit M4 Schrauben zur Befestigung am Einsatz/
range of delivery: lever with M4 screws to mount on the inserts

Material: Stahl verzinkt/
material: steel, zinc-plated

Lochbild passend für Schellen TB 09 00 000 5341 u. TB 09 00 000 5342/
pinhole image for cable clamp TB 09 00 000 5341 and 09 00 000 5342

All Dimensions in mm Original Size DIN A 4			Techn. Character.			Nicht tolerierte Maße/Free size tolerances		
				Dat.	Name	Maßstab/Scale 1:1	Han Schellenbügel 10B/ <i>clamp frame for shielded cables</i> <i>Han 10B</i>	
			Detail.	03.07.96	ML			
			Insp.		SDT			
413602	28.01.08	Ho	Stand.					
413153	27.08.07	Bor	HARTING Electric GmbH & Co. KG				TB 09 00 000 5207	
24866	10.12.98	PL	D-32339 Espelkamp					
Mod.	Dat.	Name						
							Sub.	Blatt/ page