



Chipsmall Limited consists of a professional team with an average of over 10 year of expertise in the distribution of electronic components. Based in Hongkong, we have already established firm and mutual-benefit business relationships with customers from,Europe,America and south Asia,supplying obsolete and hard-to-find components to meet their specific needs.

With the principle of "Quality Parts,Customers Priority,Honest Operation,and Considerate Service",our business mainly focus on the distribution of electronic components. Line cards we deal with include Microchip,ALPS,ROHM,Xilinx,Pulse,ON,Everlight and Freescale. Main products comprise IC,Modules,Potentiometer,IC Socket,Relay,Connector.Our parts cover such applications as commercial,industrial, and automotives areas.

We are looking forward to setting up business relationship with you and hope to provide you with the best service and solution. Let us make a better world for our industry!



## Contact us

Tel: +86-755-8981 8866 Fax: +86-755-8427 6832

Email & Skype: info@chipsmall.com Web: www.chipsmall.com

Address: A1208, Overseas Decoration Building, #122 Zhenhua RD., Futian, Shenzhen, China

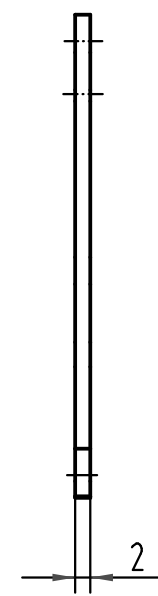
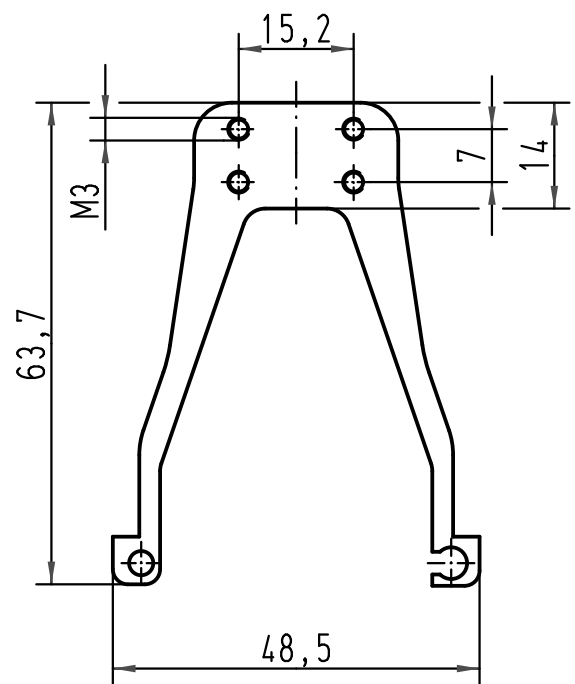


A

B

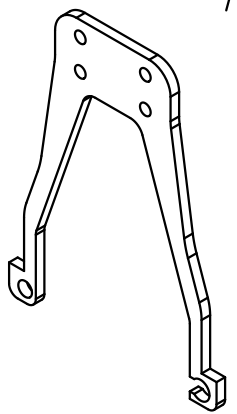
c

D



passend für Han-Modular, Rahmengröße Han 6B  
 zur Kombination mit Han 6B Anbaugehäuse  
*fits for Han-Modular, frame size Han 6B  
 for combination with Han 6B housings*

Material: Stahl, verzinkt  
*material: steel, zinc-plated*  
 Lochbild passend für Schellen 09 00 000 5341  
*pinhole image for cable clamp 09 00 000 5341*



|   |          |                   |                                |          |  |   |
|---|----------|-------------------|--------------------------------|----------|--|---|
| All Dimensions in mm<br>Original Size DIN A 4 |          | Techn. Character. |                                |          | Nicht tolerierte Maße/Free size tolerances |   |
| 413602  | 28.01.08 | Ho                |                                | Dat.     | Name                                       | Maßstab/Scale<br>1:1<br>Schirmbügel Han 6Mod/<br><i>shield-lever Han 6Mod</i> |
| 410430  | 25.03.03 | Ste               | Detail.                        | 25.11.99 | KR   |   |
| 30444   | 10.12.01 | KAS               | Insp.                          |          | HERB                                       |   |
| 27368   | 11.04.00 | ROH               | Stand.                         |          |  |   |
| 27302   | 20.03.00 | Gü                | HARTING Electric GmbH & Co. KG |          |  | TB 09 00 000 5256<br>Sub.   |
| 26690   |          |                   | D-32339 Espelkamp              |          |  |   |
| Mod.  | Dat.     | Name              |                                |          |  | Blatt/page  |