



Chipsmall Limited consists of a professional team with an average of over 10 year of expertise in the distribution of electronic components. Based in Hongkong, we have already established firm and mutual-benefit business relationships with customers from,Europe,America and south Asia,supplying obsolete and hard-to-find components to meet their specific needs.

With the principle of “Quality Parts,Customers Priority,Honest Operation,and Considerate Service”,our business mainly focus on the distribution of electronic components. Line cards we deal with include Microchip,ALPS,ROHM,Xilinx,Pulse,ON,Everlight and Freescale. Main products comprise IC,Modules,Potentiometer,IC Socket,Relay,Connector.Our parts cover such applications as commercial,industrial, and automotives areas.

We are looking forward to setting up business relationship with you and hope to provide you with the best service and solution. Let us make a better world for our industry!



Contact us

Tel: +86-755-8981 8866 Fax: +86-755-8427 6832

Email & Skype: info@chipsmall.com Web: www.chipsmall.com

Address: A1208, Overseas Decoration Building, #122 Zhenhua RD., Futian, Shenzhen, China

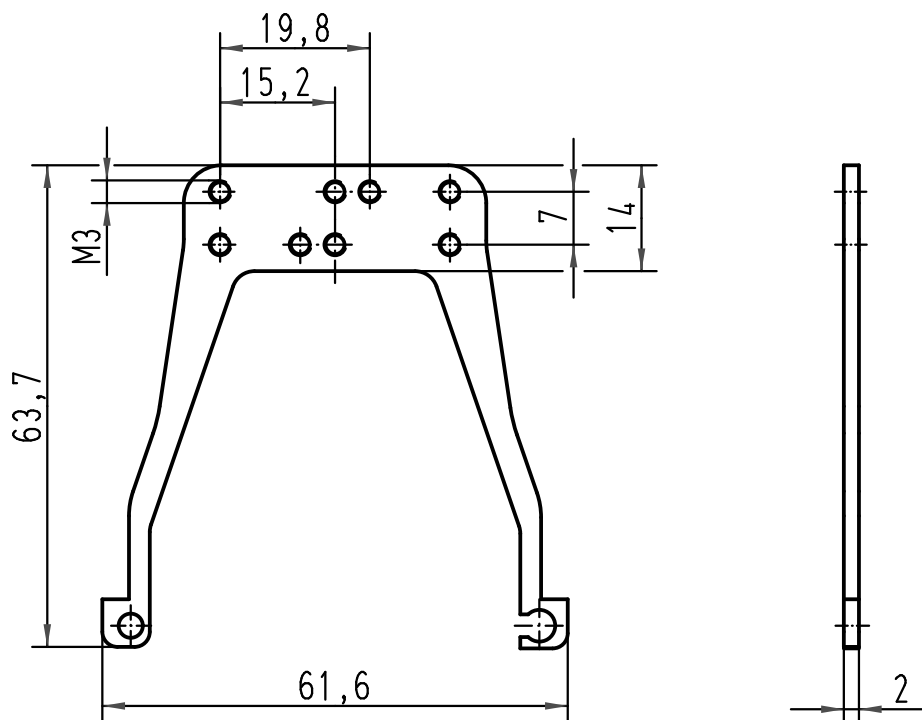


A

B

C

D



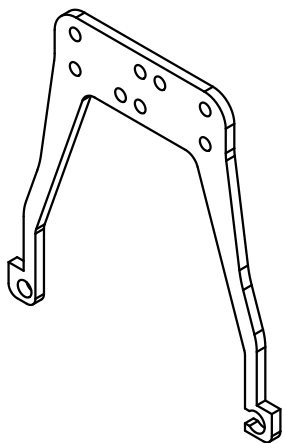
Material: Stahl, verzinkt
material: steel, zinc-plated



passend für Han- Modular, Rahmengröße Han 10B
zur Kombination mit Han 10B Anbaugehäuse

*fits for Han- Modular, frame size Han 10B
for combination with Han 10B housings*

Lochbild passend für Schellen 09 00 000 5341
und 09 00 000 5342

*pinhole image for cable clamp 09 00 000 5341
and 09 00 000 5342*



 All Dimensions in mm Original Size DIN A 4			Techn. Character.				Nicht tolerierte Maße/Free size tolerances	
413602	28.01.08	Ho		Dat.	Name	Maßstab/Scale 1:1	Schirmbügel Han 10Mod/ <i>shield-lever Han 10Mod</i>	
410430	25.03.03	Ste	Detail.	25.11.99	KR			
30444	12.12.00	KAS	Insp.		HERB			
27368	11.04.00	ROH	Stand.					
27302	20.03.00	Gü						
26690			HARTING Electric GmbH & Co. KG			 TB 09 00 000 5257	Blatt/ page	
Mod.	Dat.	Name	D-32339 Espelkamp					Sub.