



Chipsmall Limited consists of a professional team with an average of over 10 year of expertise in the distribution of electronic components. Based in Hongkong, we have already established firm and mutual-benefit business relationships with customers from,Europe,America and south Asia,supplying obsolete and hard-to-find components to meet their specific needs.

With the principle of “Quality Parts,Customers Priority,Honest Operation,and Considerate Service”,our business mainly focus on the distribution of electronic components. Line cards we deal with include Microchip,ALPS,ROHM,Xilinx,Pulse,ON,Everlight and Freescale. Main products comprise IC,Modules,Potentiometer,IC Socket,Relay,Connector.Our parts cover such applications as commercial,industrial, and automotives areas.

We are looking forward to setting up business relationship with you and hope to provide you with the best service and solution. Let us make a better world for our industry!



Contact us

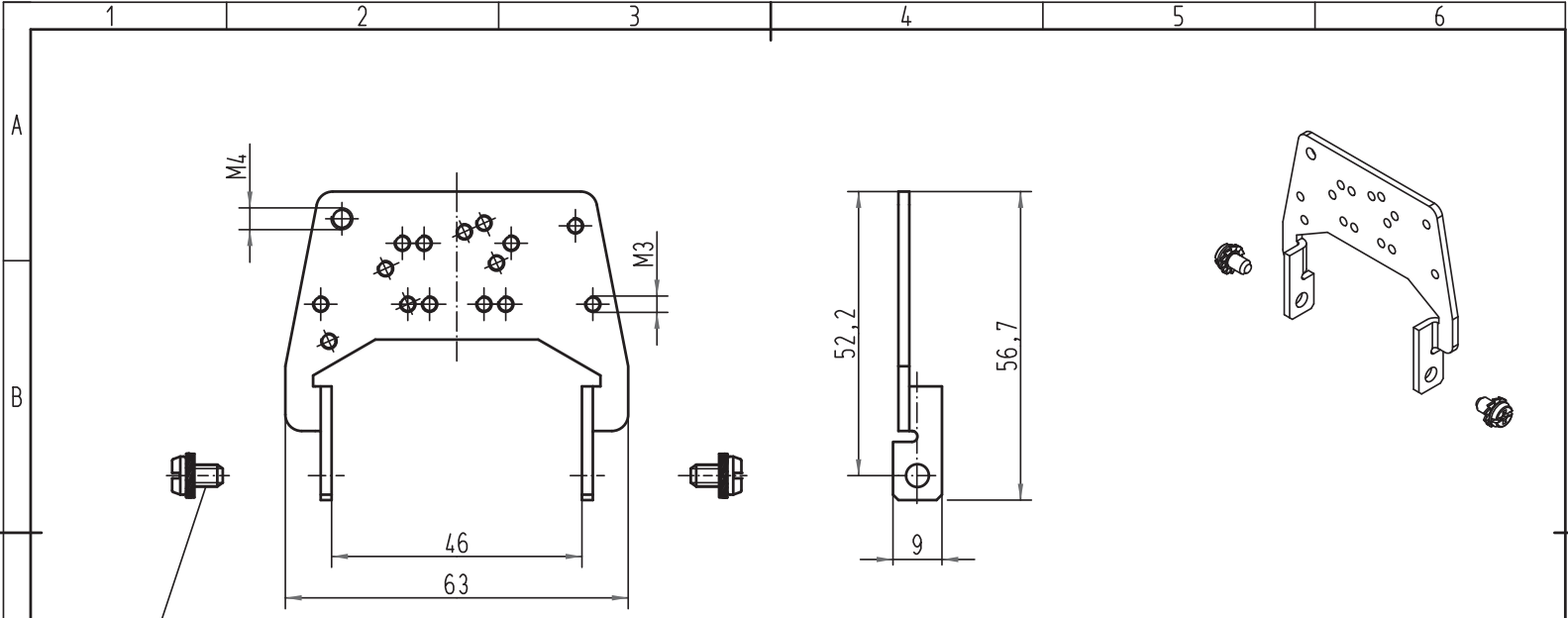
Tel: +86-755-8981 8866 Fax: +86-755-8427 6832

Email & Skype: info@chipsmall.com Web: www.chipsmall.com

Address: A1208, Overseas Decoration Building, #122 Zhenhua RD., Futian, Shenzhen, China



Alle Rechte vorbehalten/ All rights reserved



Befestigungsschraube M4 lose beigelegt/
fixing screws M4 enclosed separately

zur Kombination mit Han 10B Anbaugehäuse und
Han Snap Halbschalengehäuse 10B/
for combination with Han 10B housings bulkhead mounted
and Han Snap shell housings 10B

All Dimensions in mm Original Size DIN A 4			Techn. Character.			Nicht tolerierte Maß/Free size tolerances		
				Dat.	Name	Maßstab/Scale		
			Detail.	11.09.95	KR	1:1		
			Insp.		HERB			
			Stand.					
413153	27.08.07	Bor	HARTING Electric GmbH & Co. KG			Massebügel/ grounding lever Baugröße/ size: Han 10B		
25439	06.12.98	PL	D-32339 Espelkamp					
Mod.	Dat.	Name				TB 09 00 000 5299		
						Sub.		
								Blatt/ page