



Chipsmall Limited consists of a professional team with an average of over 10 year of expertise in the distribution of electronic components. Based in Hongkong, we have already established firm and mutual-benefit business relationships with customers from,Europe,America and south Asia,supplying obsolete and hard-to-find components to meet their specific needs.

With the principle of "Quality Parts,Customers Priority,Honest Operation,and Considerate Service",our business mainly focus on the distribution of electronic components. Line cards we deal with include Microchip,ALPS,ROHM,Xilinx,Pulse,ON,Everlight and Freescale. Main products comprise IC,Modules,Potentiometer,IC Socket,Relay,Connector.Our parts cover such applications as commercial,industrial, and automotives areas.

We are looking forward to setting up business relationship with you and hope to provide you with the best service and solution. Let us make a better world for our industry!



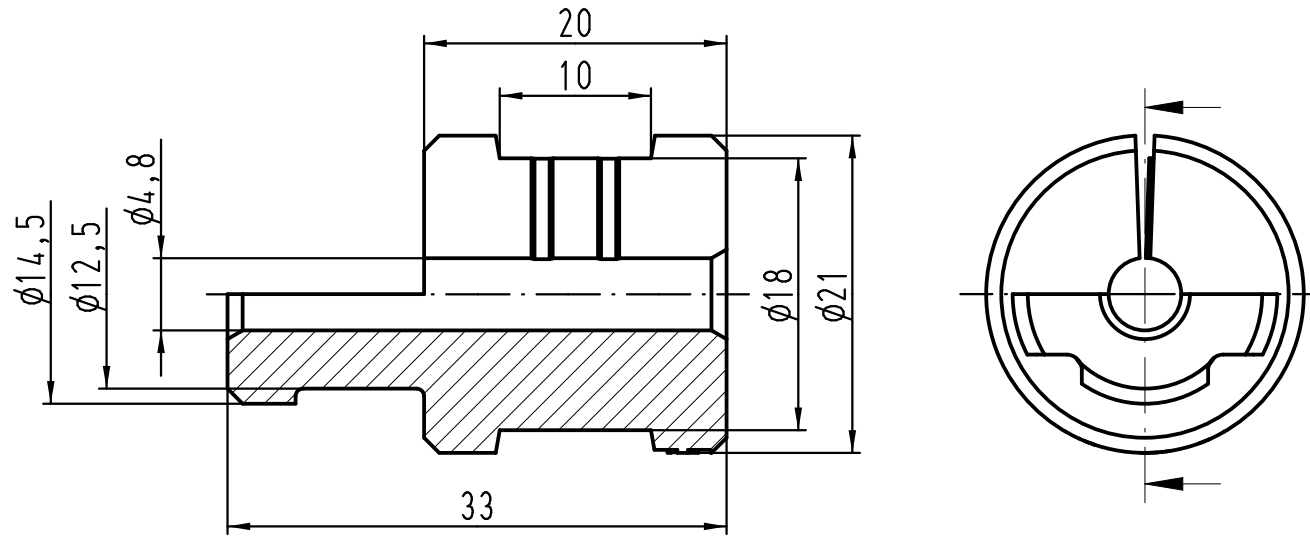
Contact us

Tel: +86-755-8981 8866 Fax: +86-755-8427 6832

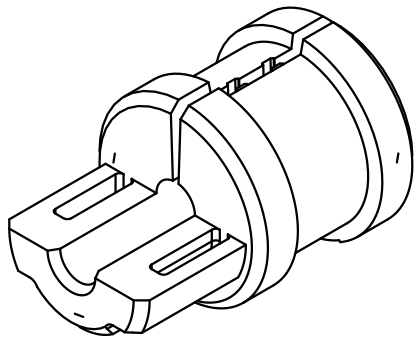
Email & Skype: info@chipsmall.com Web: www.chipsmall.com

Address: A1208, Overseas Decoration Building, #122 Zhenhua RD., Futian, Shenzhen, China





verwendbarer Kabel- ϕ 4-5mm
 suitable cable ϕ 4-5mm



		All Dimensions in mm Original Size DIN A 4		Techn. Character.		Nicht tolerierte Maßel/Free size tolerances		
				Dat.	Name	Maßstab/Scale 2:1	Kabeldurchführungstülle Cable entry gland	
				Detail.	07.03.12 Ho			
				Insp.	Be			
				Stand.				
A				HARTING Electric GmbH & Co. KG D-32339 Espelkamp			TB 09 00 000 5352	
Mod.	Dat.	Name						Sub.
							Blatt/page	